 Made in Finland

## Utu sauna cabin (SHU1616) - Installation instructions



Table of contents SHU1616-sauna cabin			
Description	w*d*h / INFO	Quantity	Check
Wall-elements	(w*d*h)		
A1	1600*72*1017	1 pc	
A2	1600*72*1017	1 pc	
B1	1570*72*1017	1 pc	
B2	1570*72*1017	1 pc	
C1	1600*72*1017	1 pc	
C2	1600*72*1017	1 pc	
D (wall)	821*72*2034	1 pc	
Roof elementS	(w*d*h)		
R1	1520*778*64	1 pc	
R2	1520*798*88	1 pc	
Mouldings	(w*d*h)		
(outside) back corners	21*52*2034 HT aspen	2 pcs	
door/wall joint (inside and outside)	45*15*1953 HT aspen	2 pcs	
(outside) front corners	88*28*2034 HT aspen	2 pcs	
Interior	(w*d*h)		
Bench supports (upper bench)	585*28*90 HT aspen	2 pcs	
Bench supports (lower bench)	905*28*90 HT aspen	2 pcs	
Upper bench	1446*600*90 HT aspen	1 pc	
Bench skirt	1446*30*325 HT aspen	1 pc	
Lower bench	1446*400*90 HT aspen	1 pc	
Back rest	1446*36*265 HT aspen	1 pc	
Heater guard	523*347*705 HT aspen	1 pc	
Lighting			
RGBW-LED tubes	width 1400	2 pcs	
Mounting clamps	metal clips	6 pcs	
LED power supply 24V, 90W	SZO113	1 pc	
All in one controller WTJ5	WTJ5	1 pc	
Remote controller	RTJ4	1 pc	
Heater (not included)			
Recommended heater The Wall 6,0 kW	SW60	not included	
Stones AC3000	5 - 10 cm	not included	
Glass door with wooden frames			
Door with alder frames and bronze glass	690*1953*72 (glass 620*1913)	1 pc	
Door handle	SAZ564	1 pc	
Counter part for magnet	ZVEL-259C	1 pc	
Front wall support 1212/1616	ZVEL-851	1 pc	
Ventilation			
AIR Vent, alder	SZ093LE	1 pc	
Air duct, chromium	ZVEL-10	1 pc	
Accessories			
Installation instructions	Y05-1275	1 pc	
Screws and nails			
5*80 mm	(SS) Stainless steel	12 pcs	
5*80 mm	Zn	35 pcs	
4,5*45 mm	(SS) Stainless steel	15 pcs	
3*25 mm	(SS) Stainless steel	10 pcs	
1,7*45 mm	dyckert-nail, Zn	20 pcs	
17*10 mm	Frame plug, rubber, beige	8 pcs	





## Tools required



## Screws

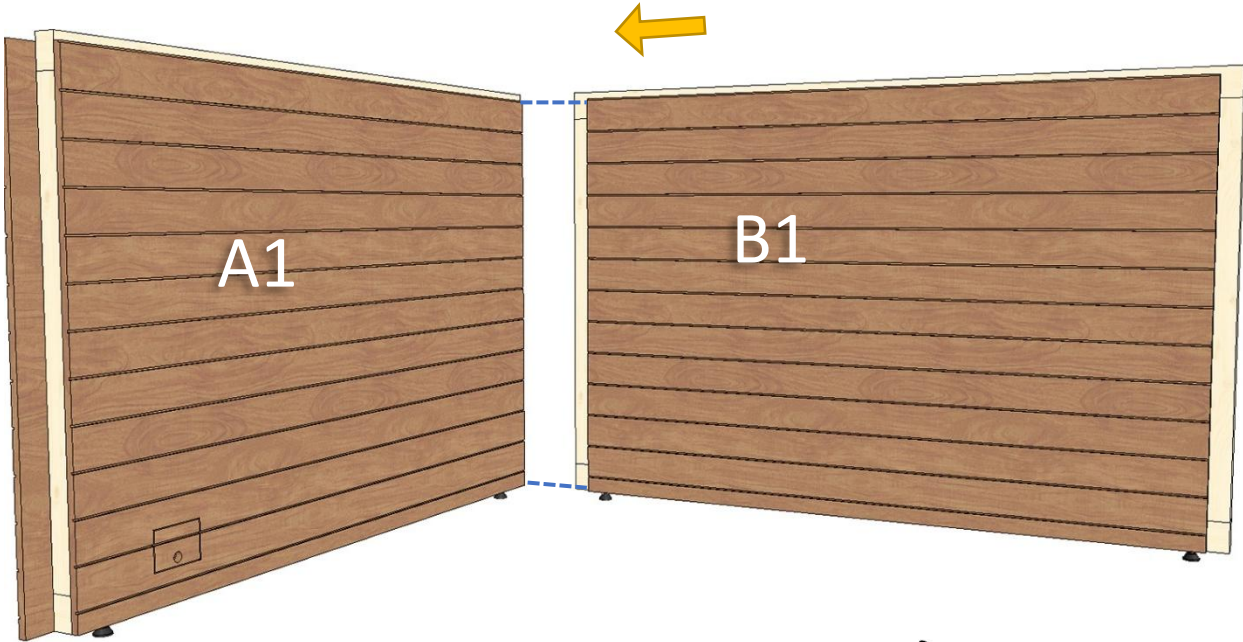
SS = Stainless steel

SS x \* x mm

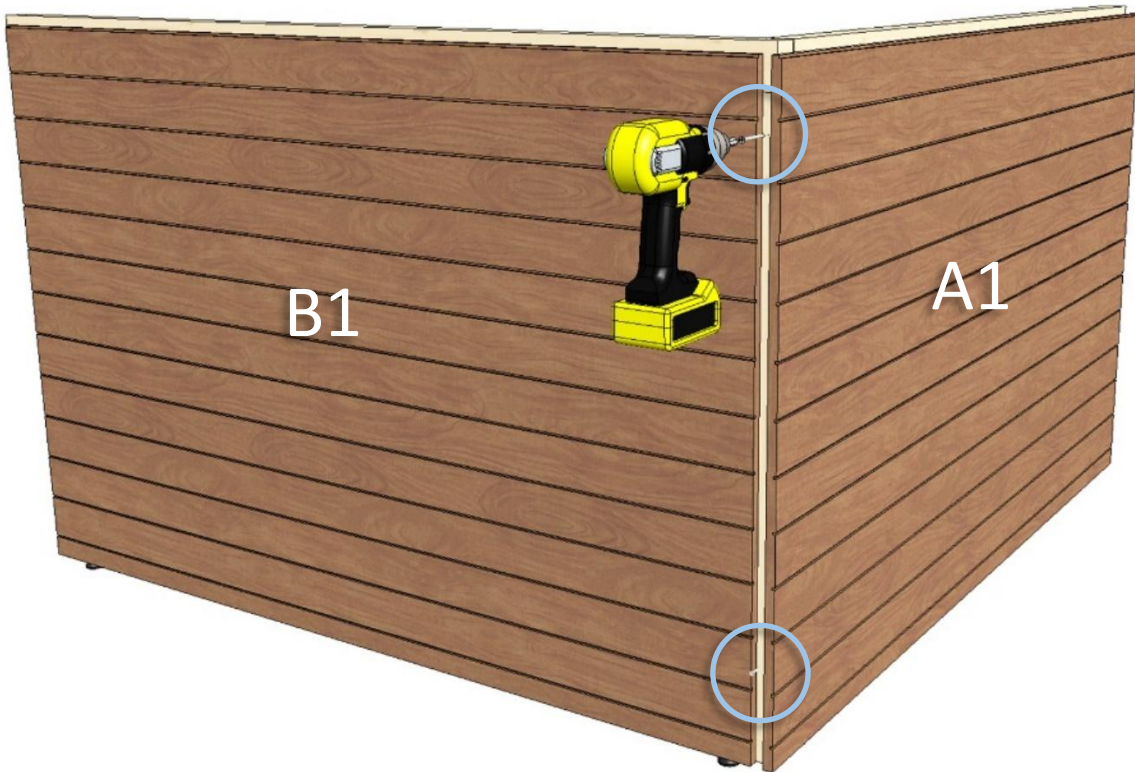
Zn = Zink

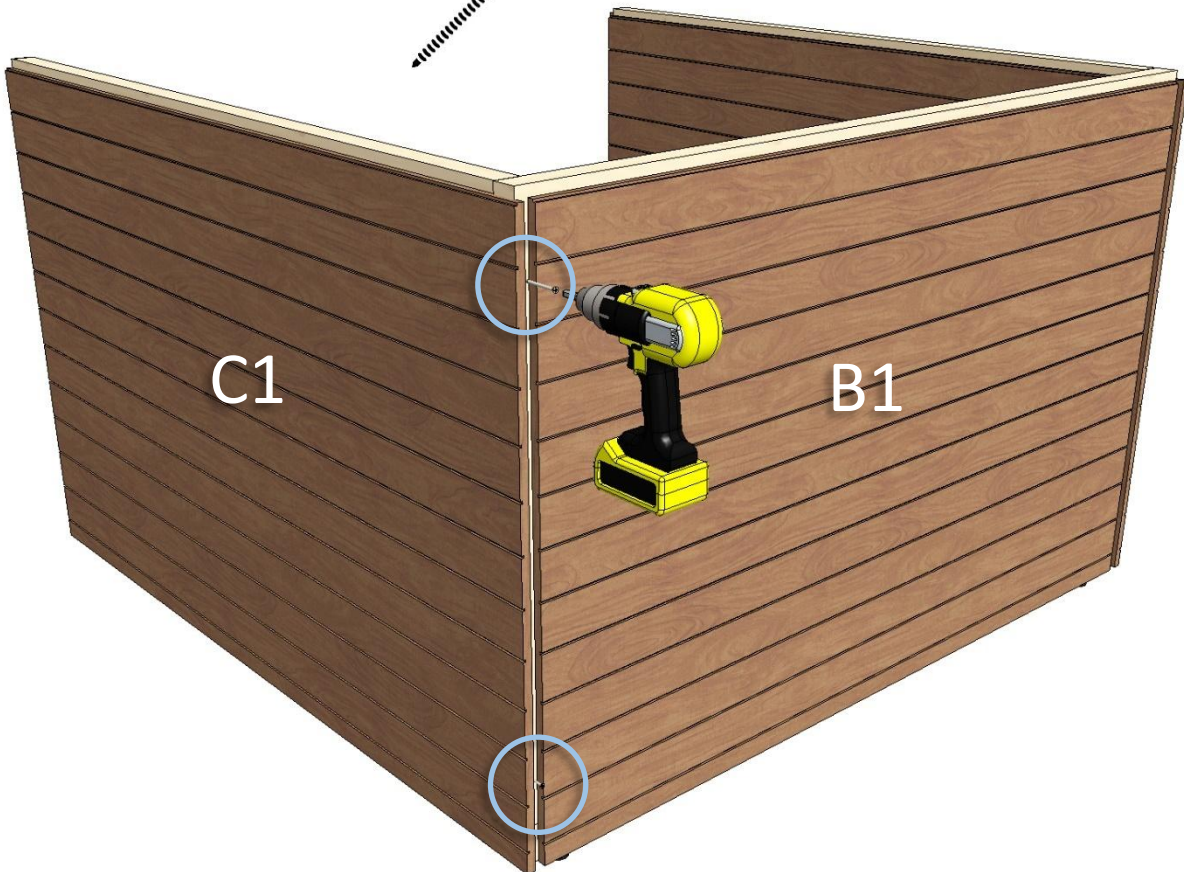
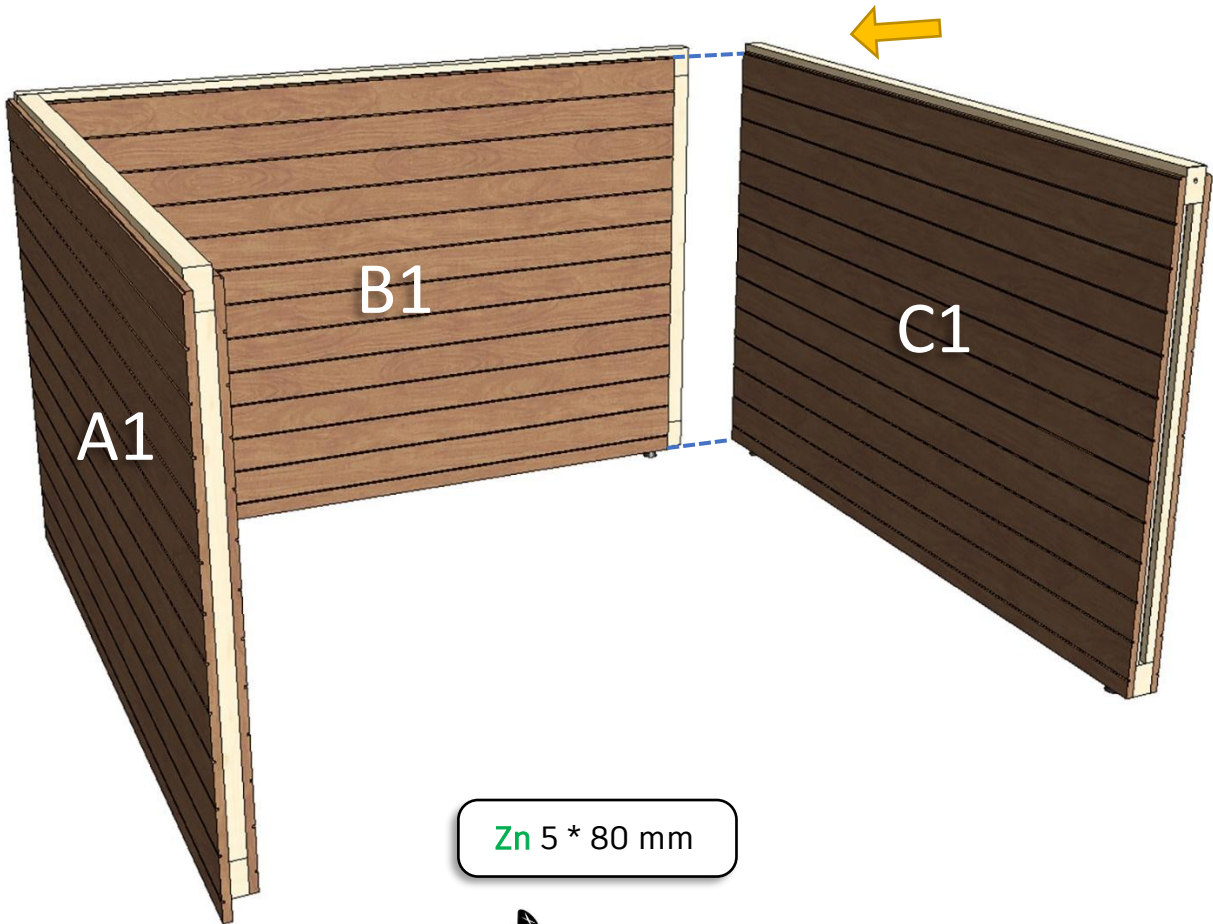
Zn x \* x mm

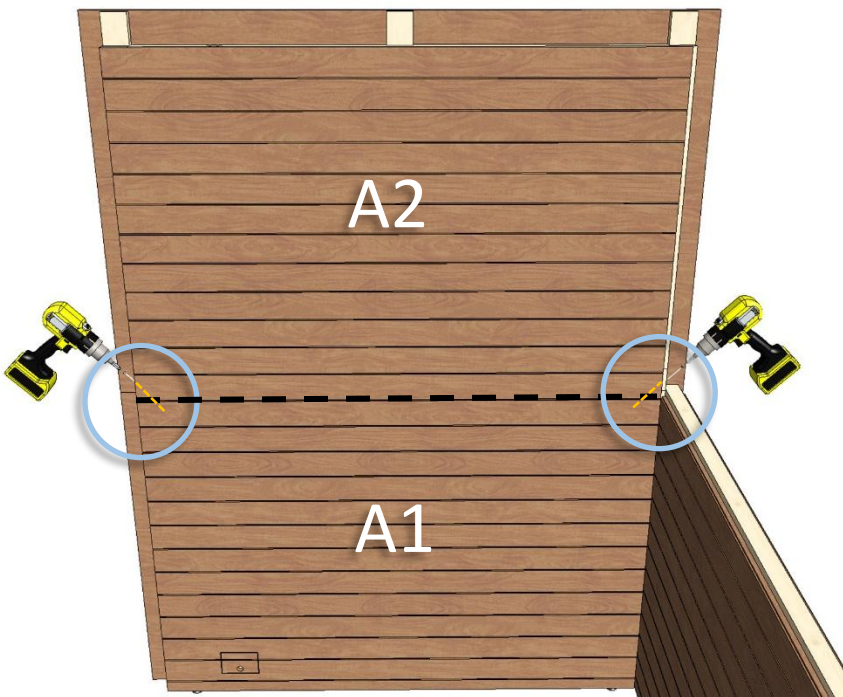
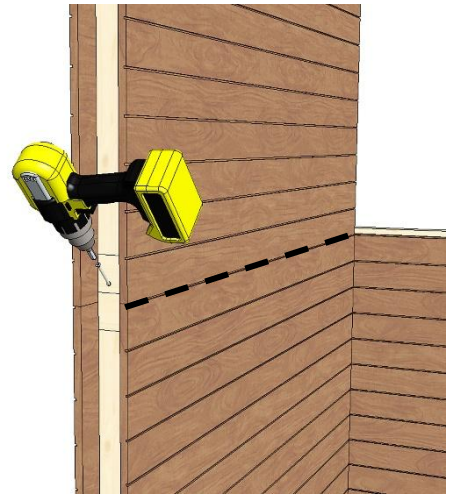
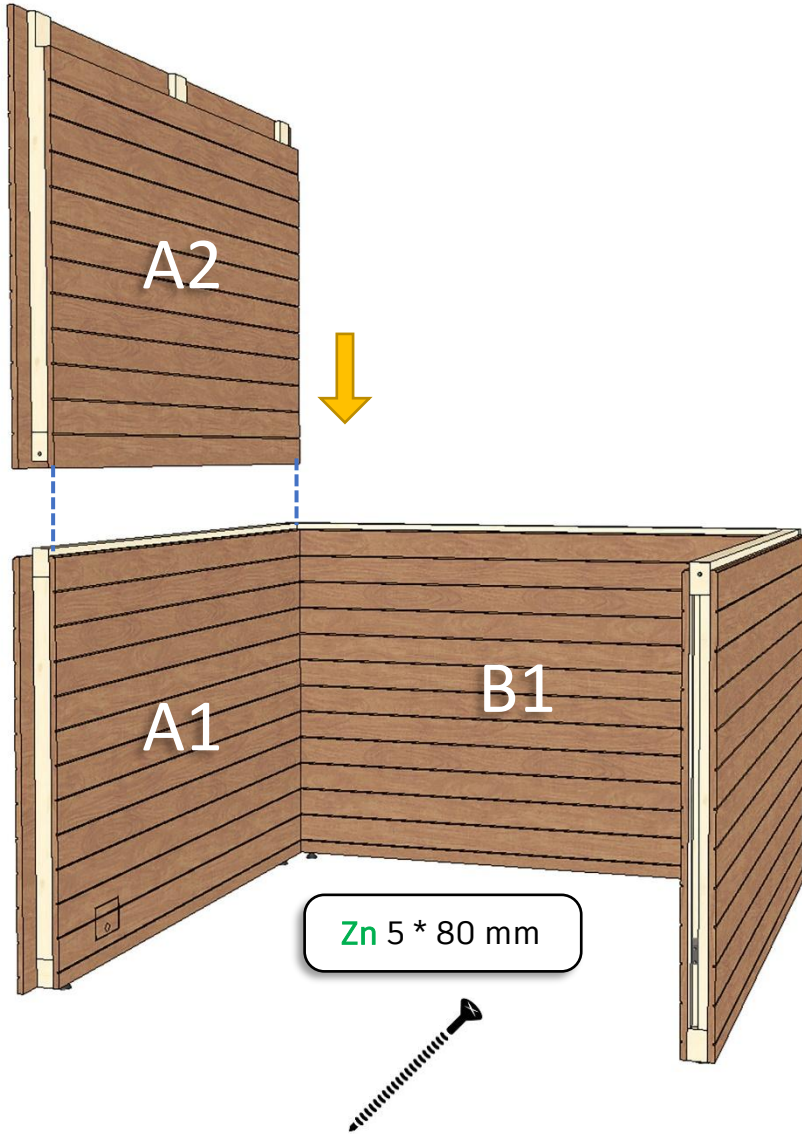


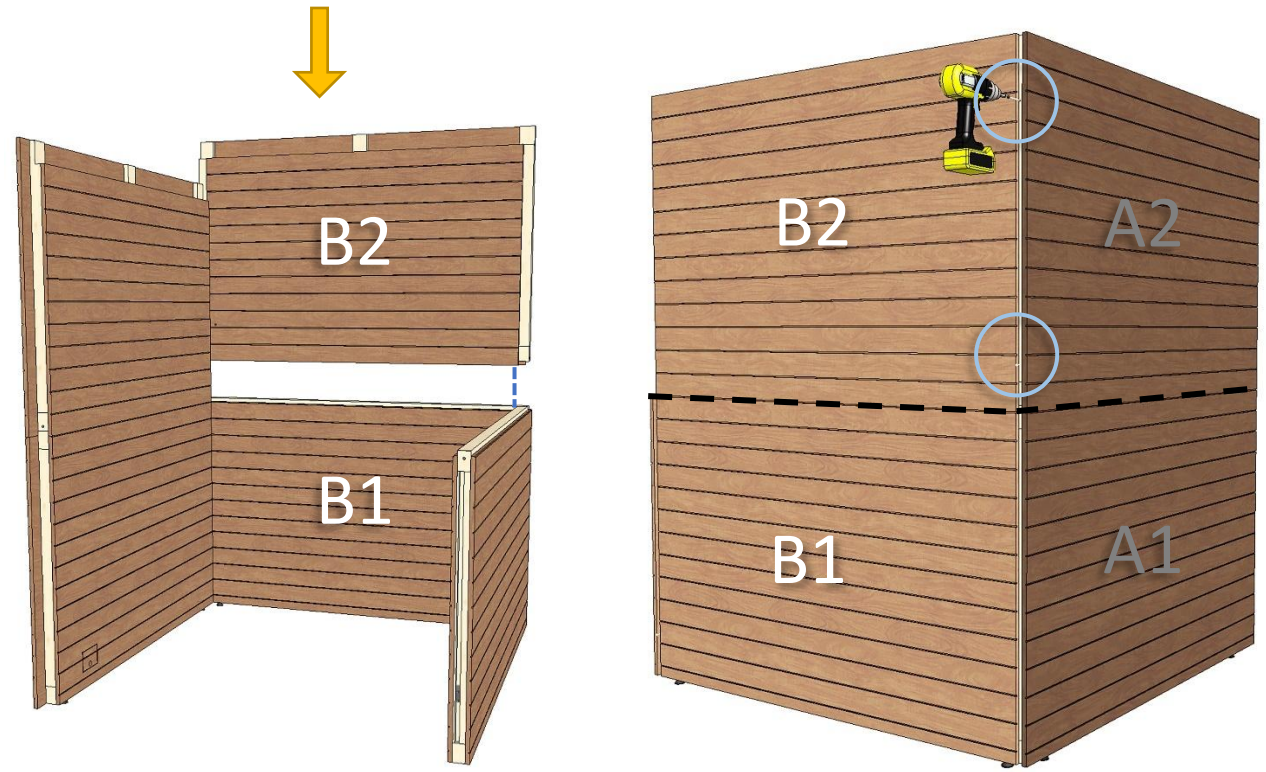


Zn 5 \* 80

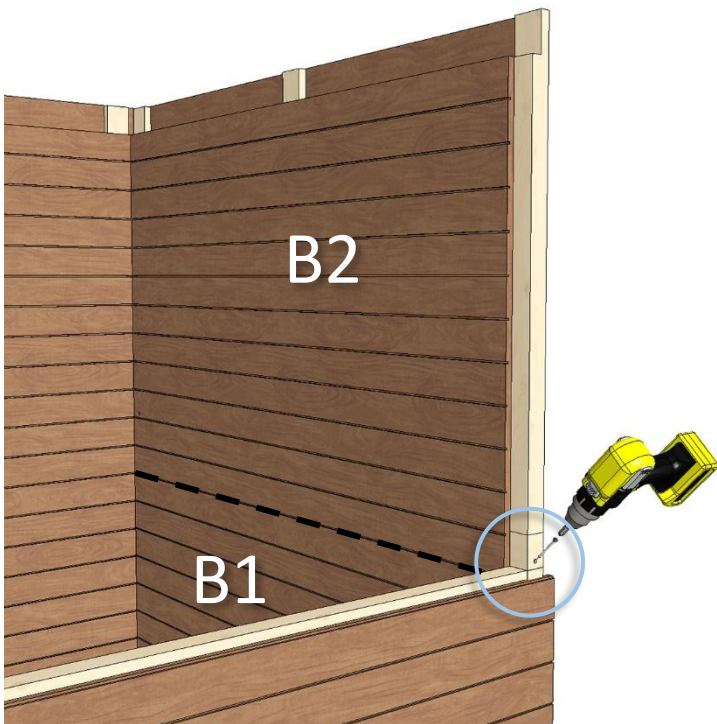
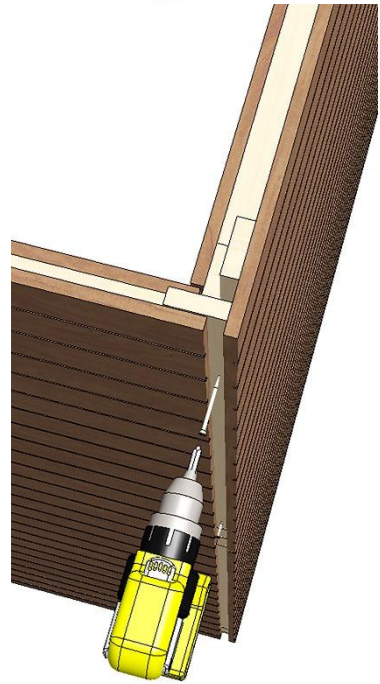


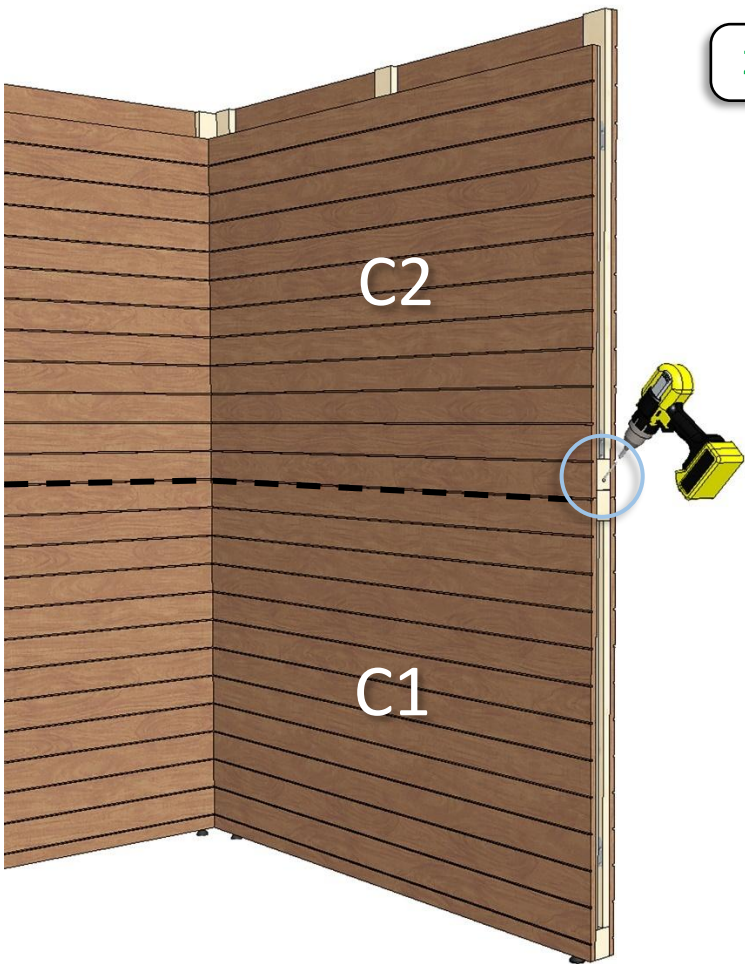
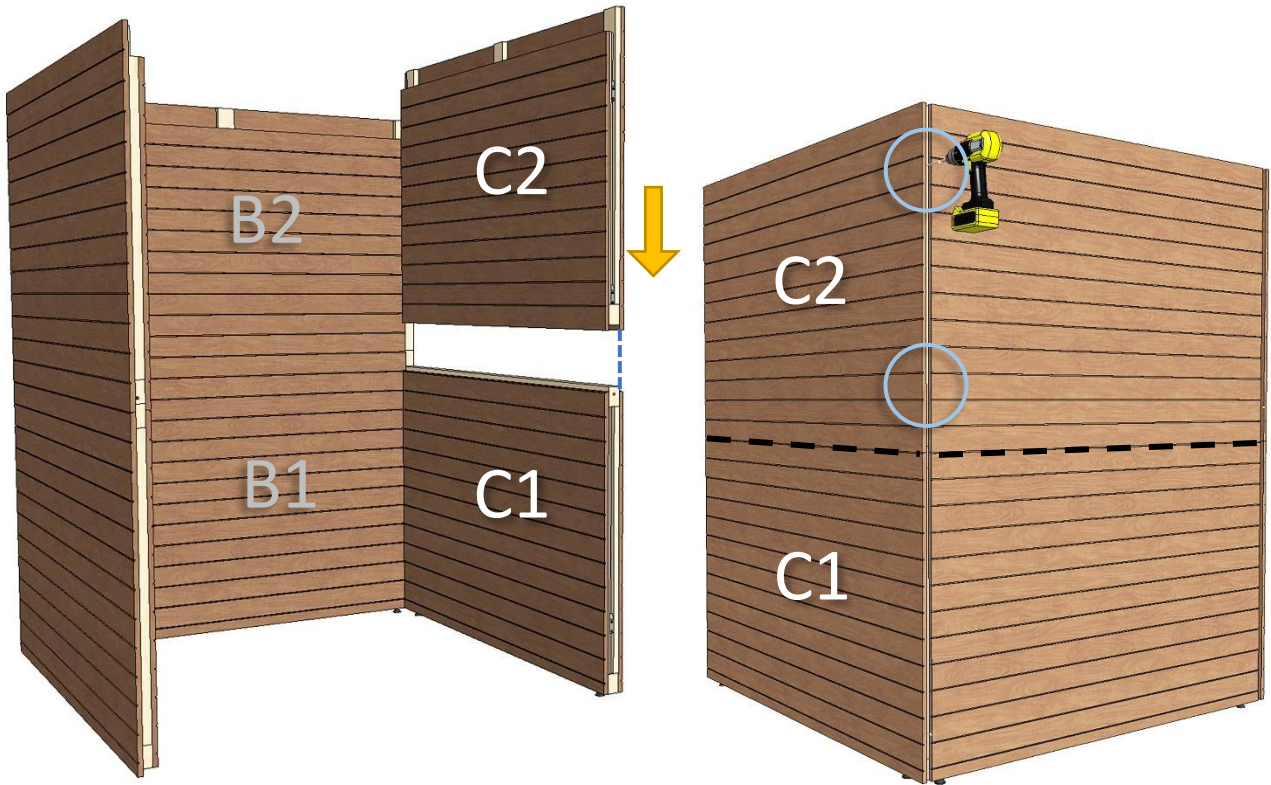






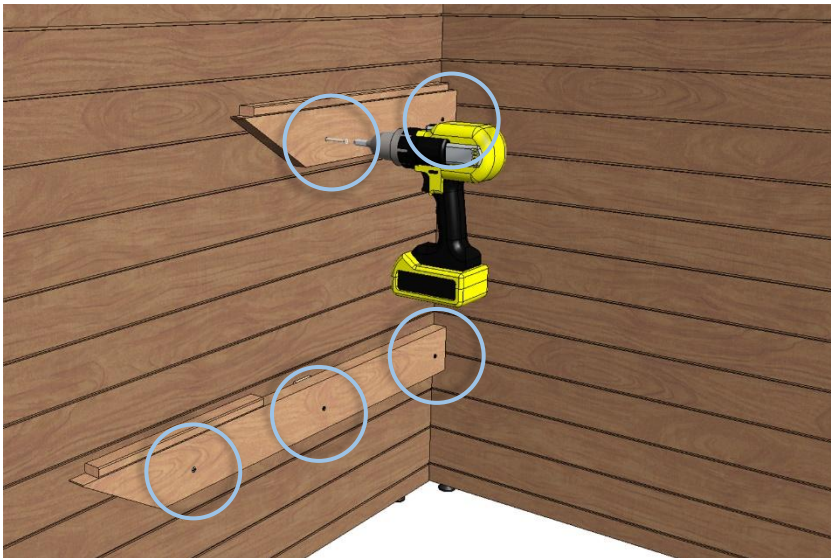
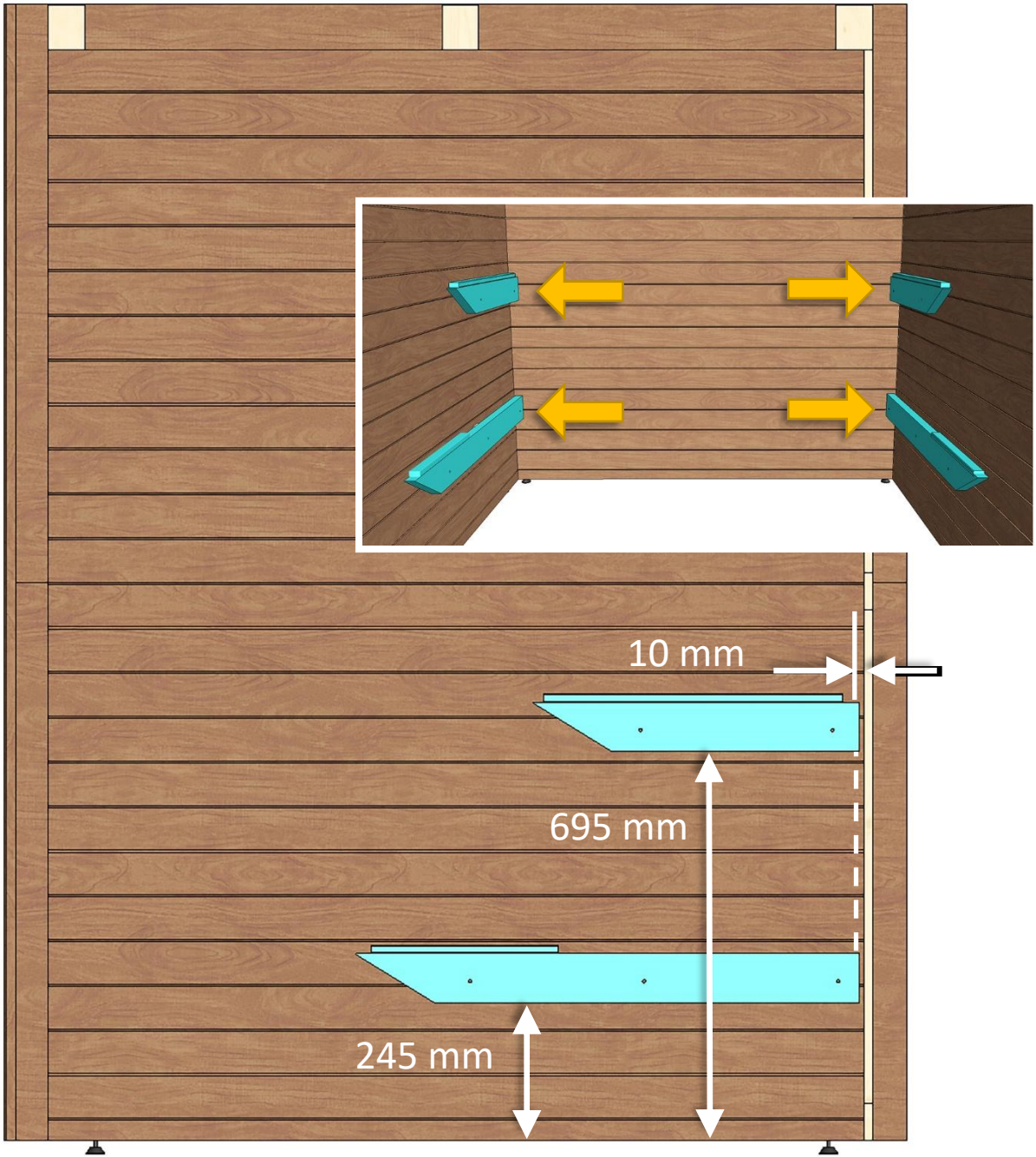
Zn 5 \* 80 mm





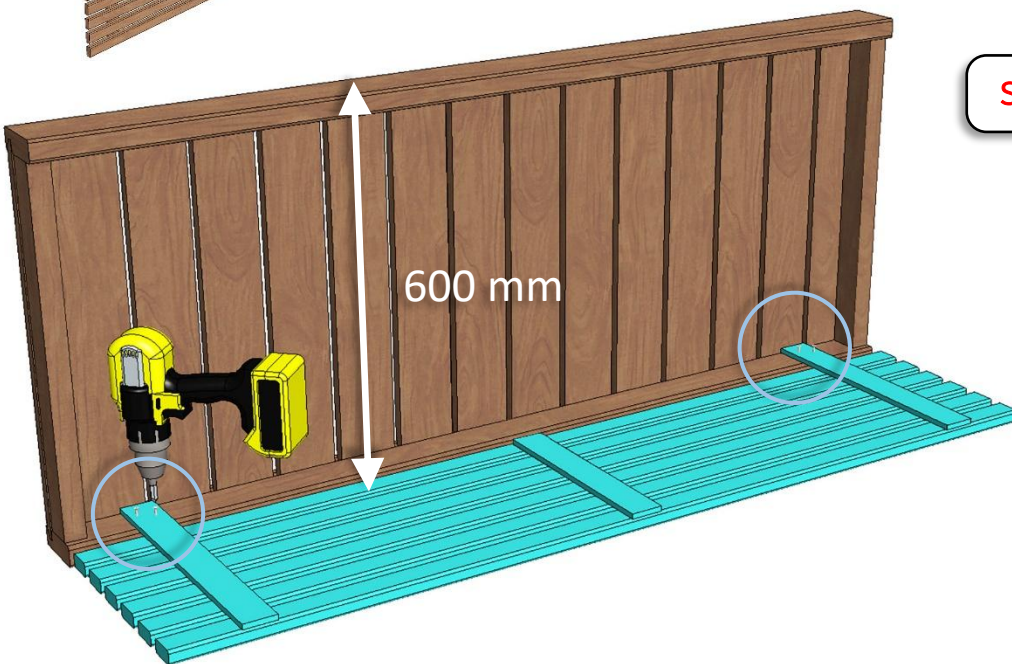
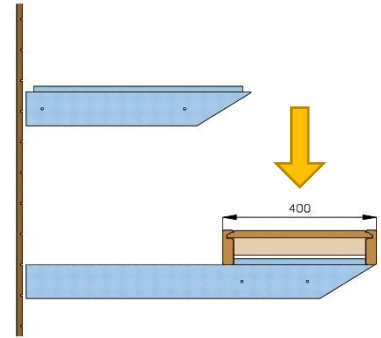
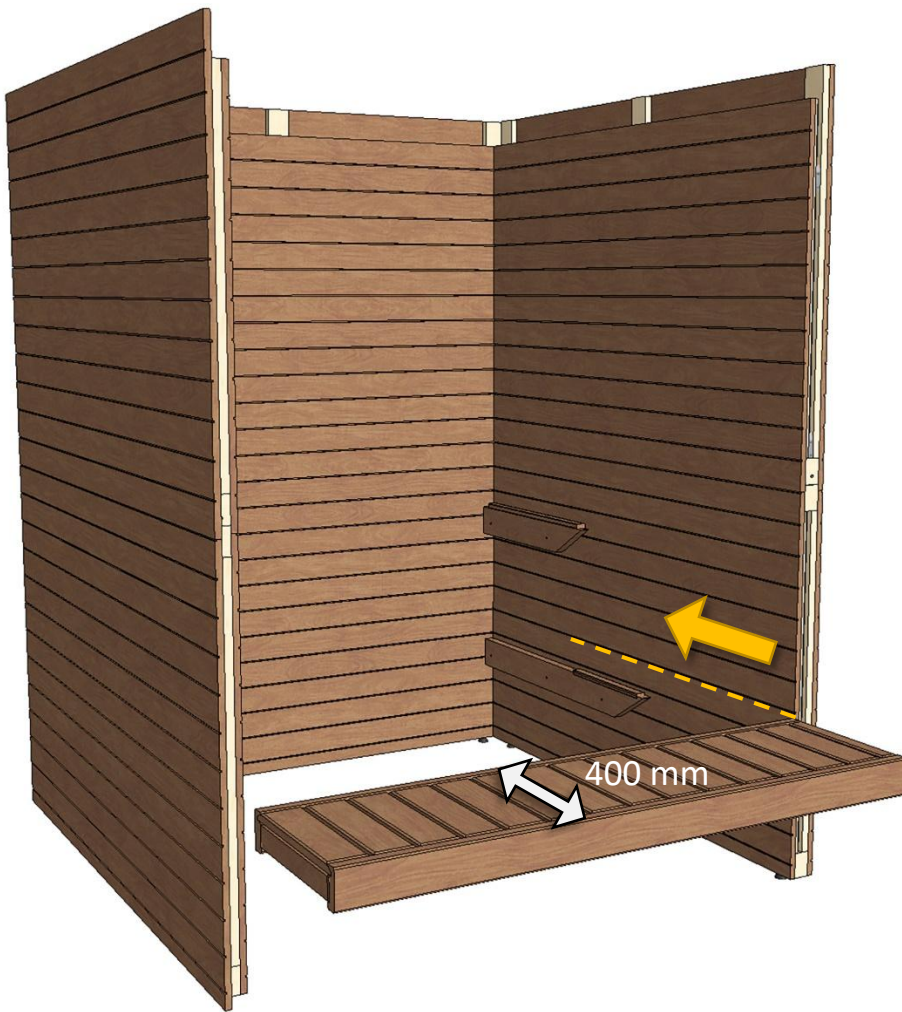
Zn 5 \* 80 mm





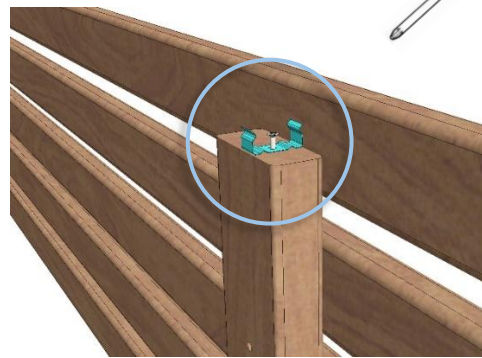
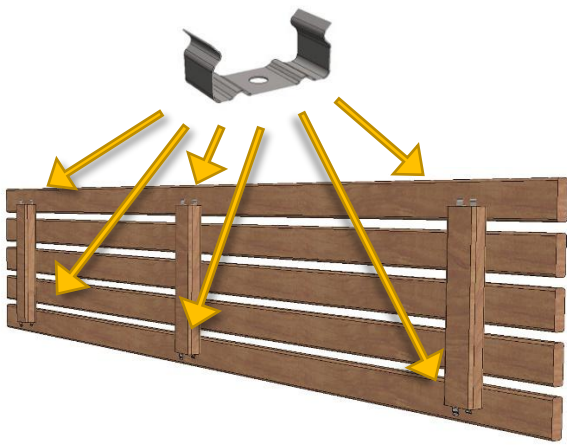
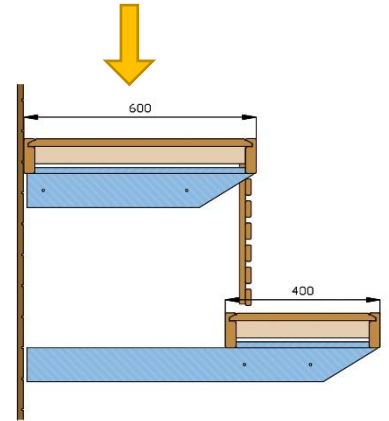
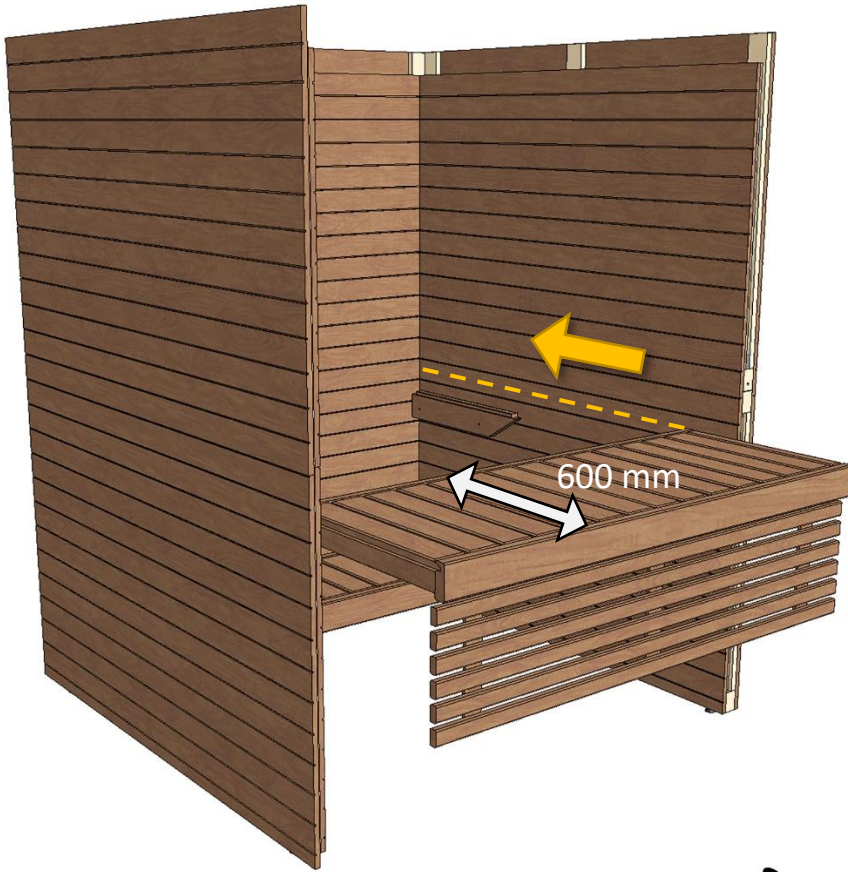
Ss 5 \* 80 mm



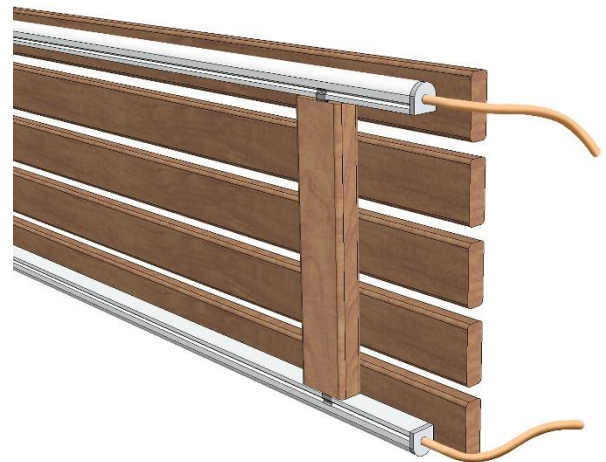
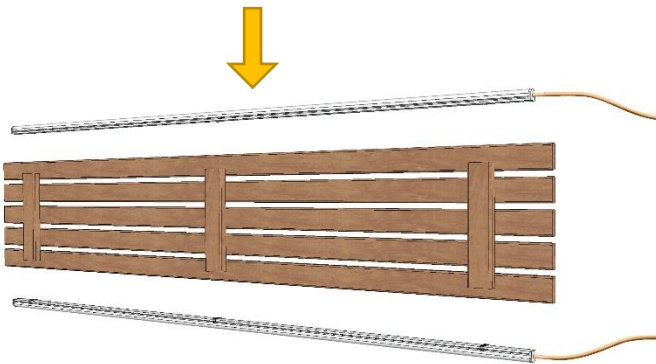


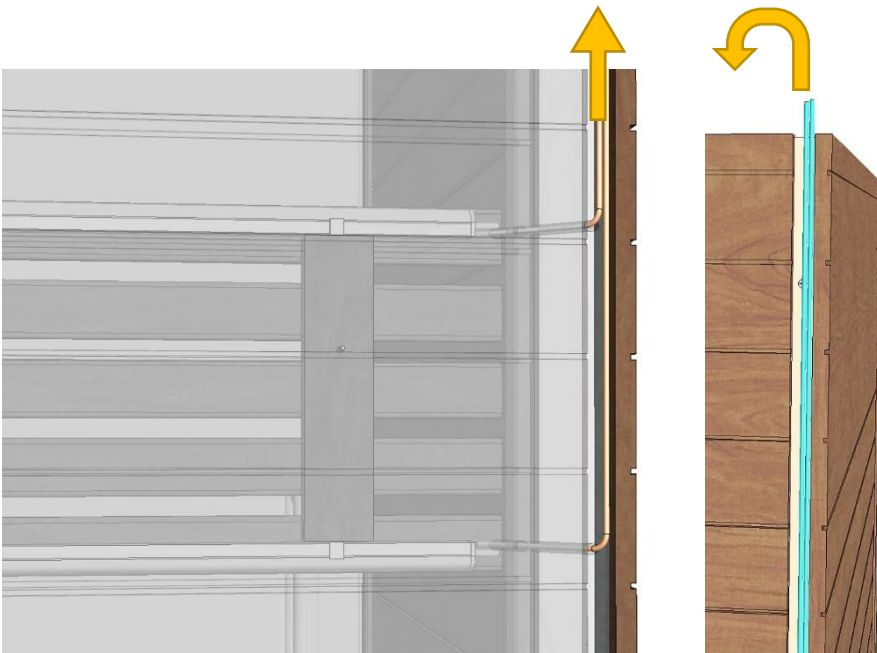
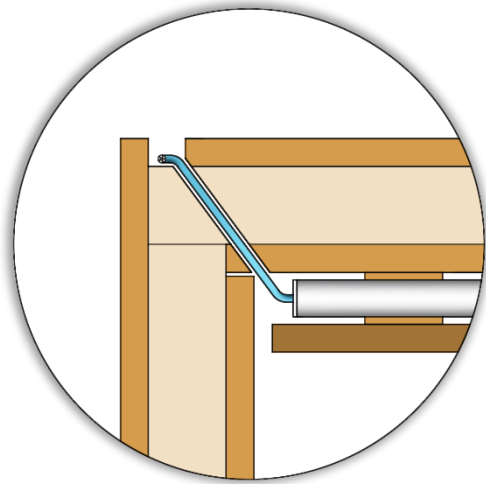
Ss 4,5 \* 45 mm



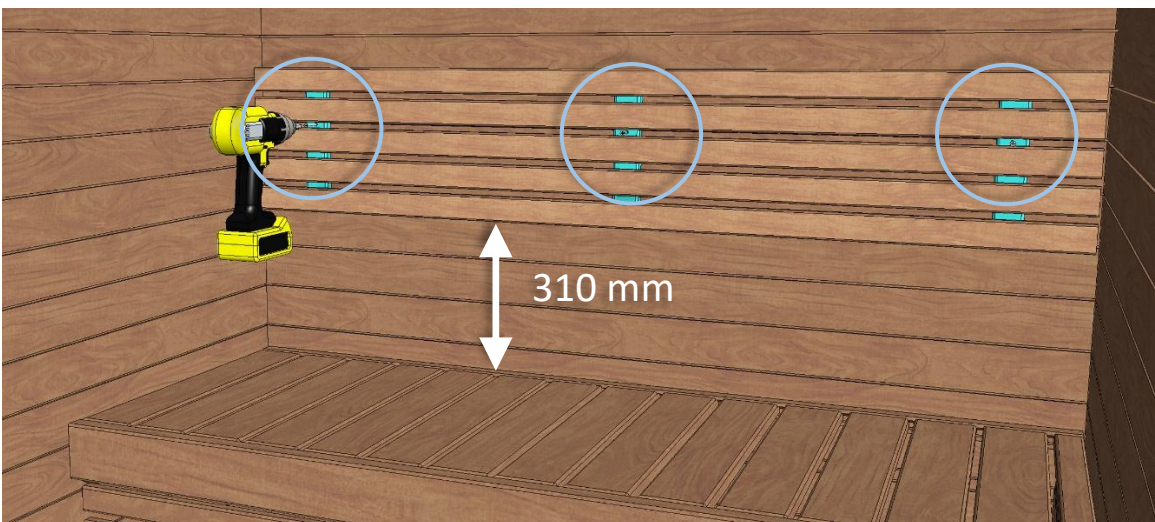


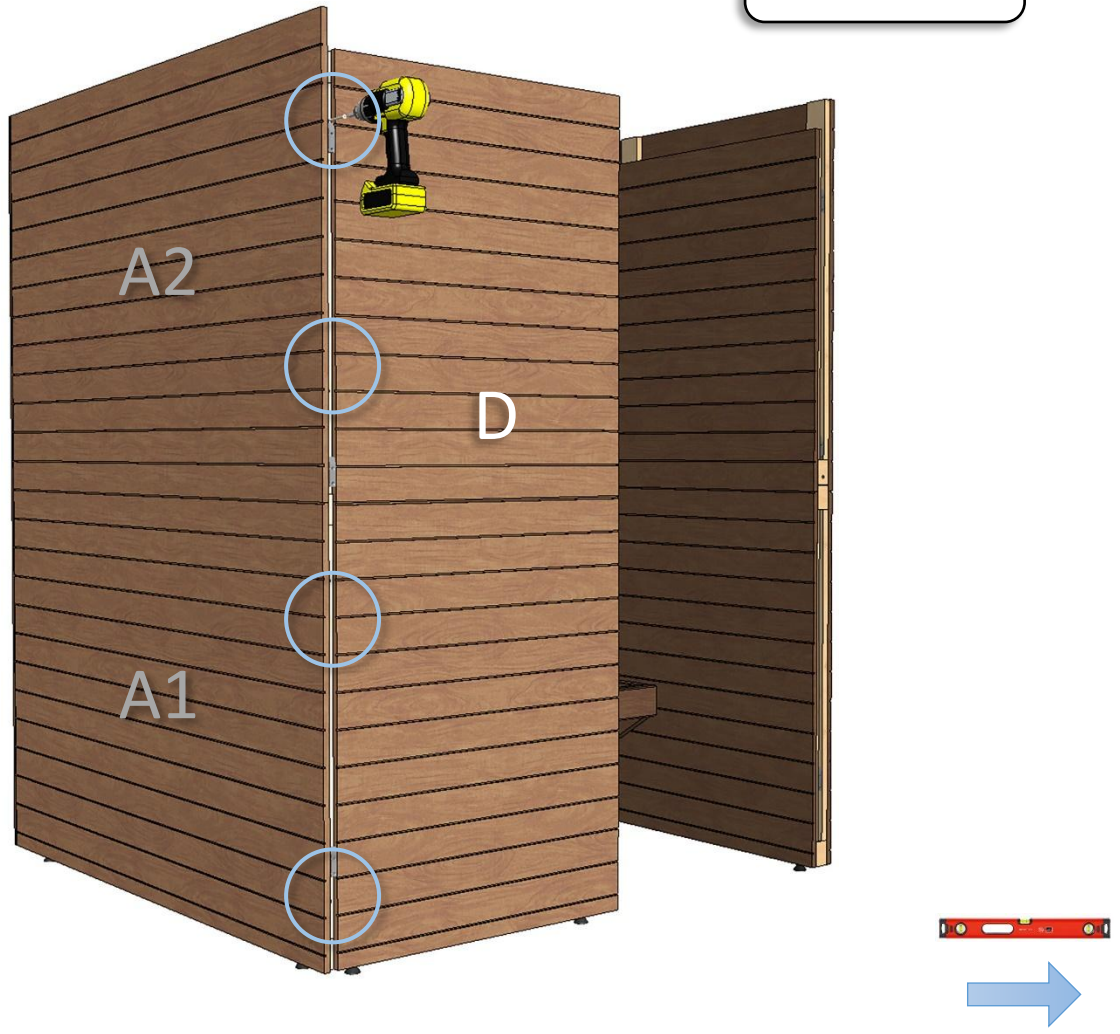
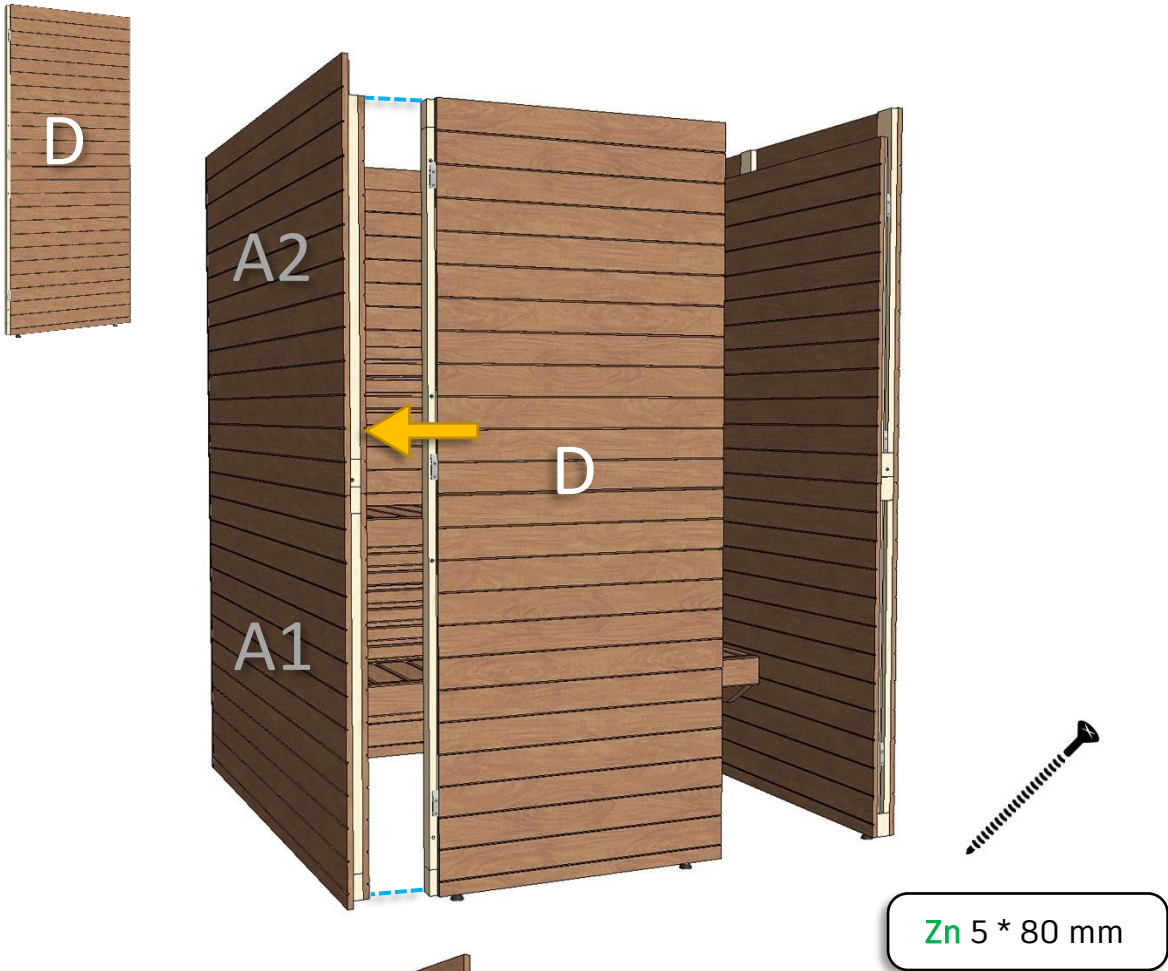
RGBW-LED 24V

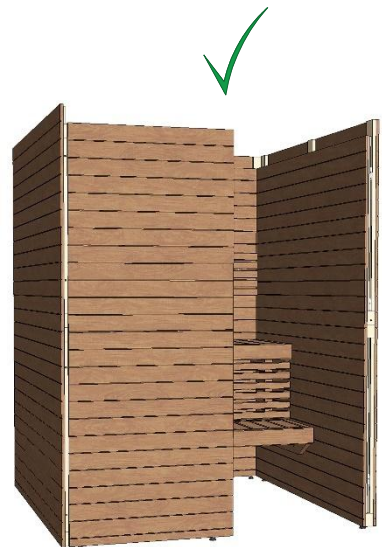
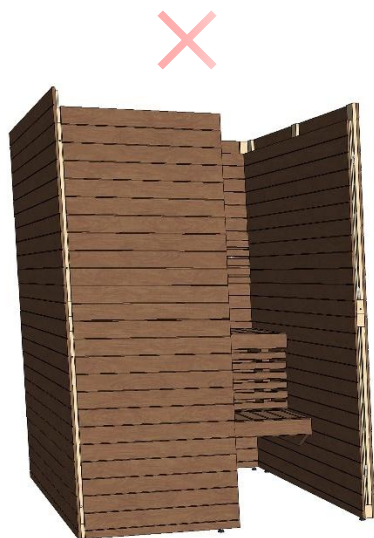
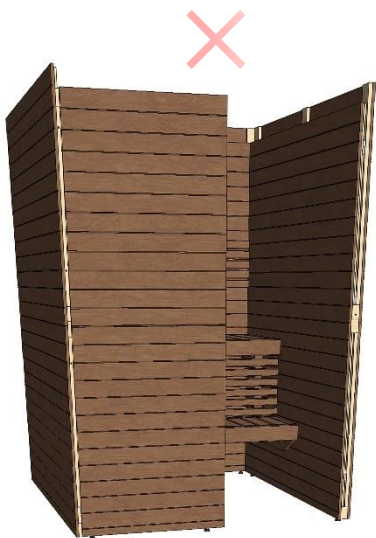
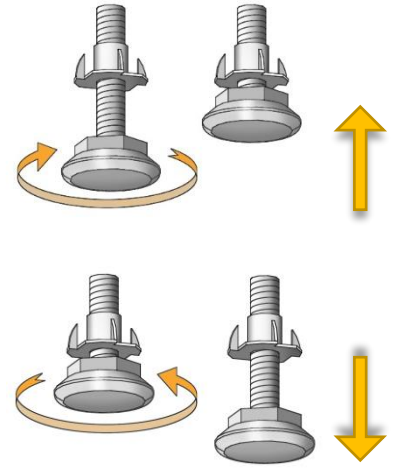
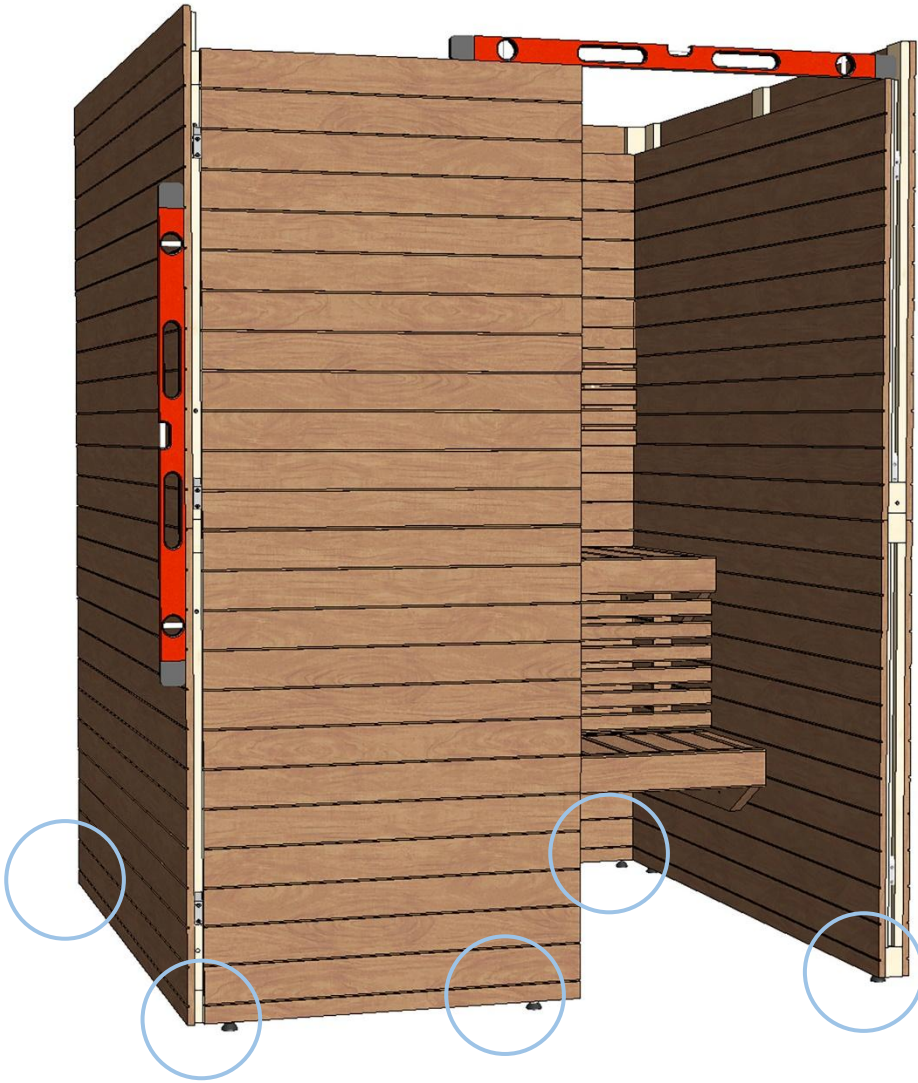


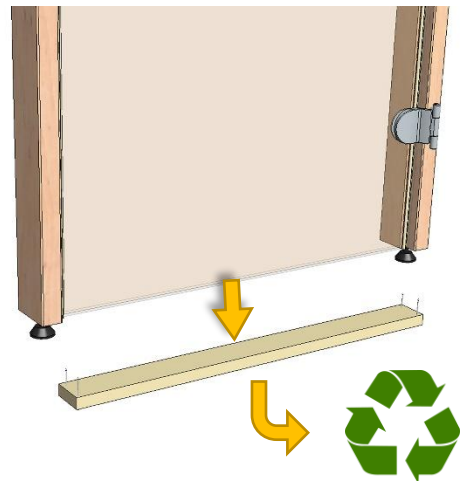
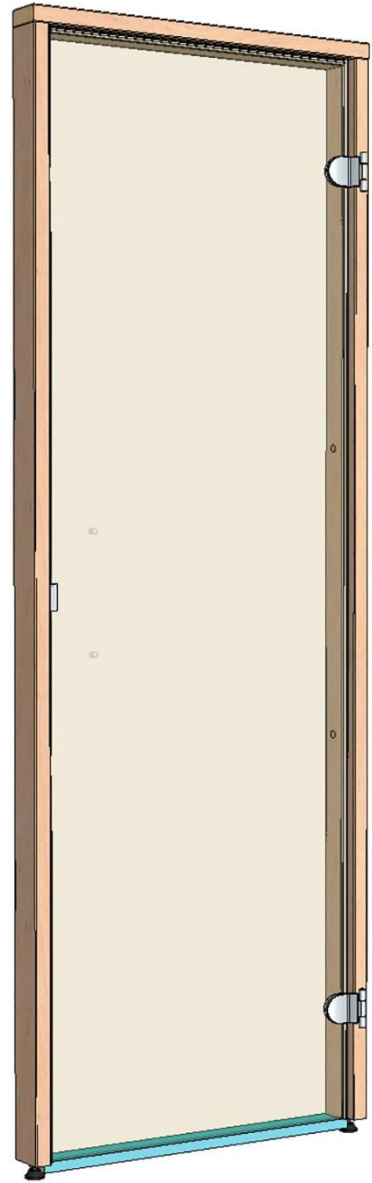
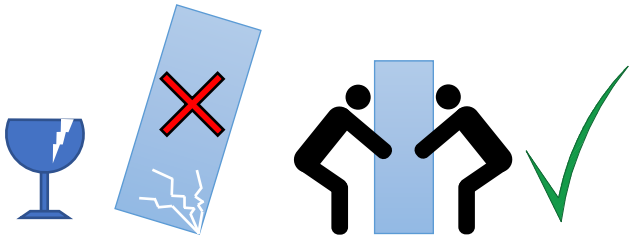


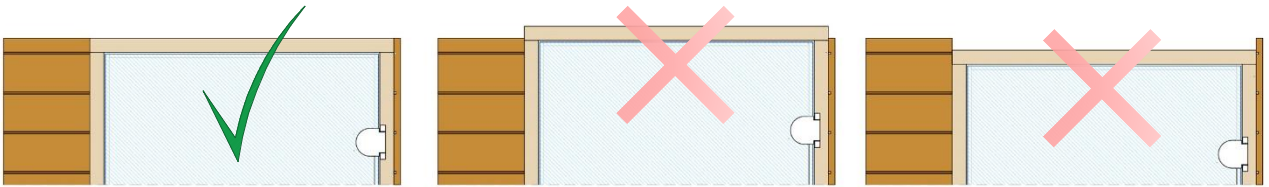
Ss 4,5 \* 45 mm



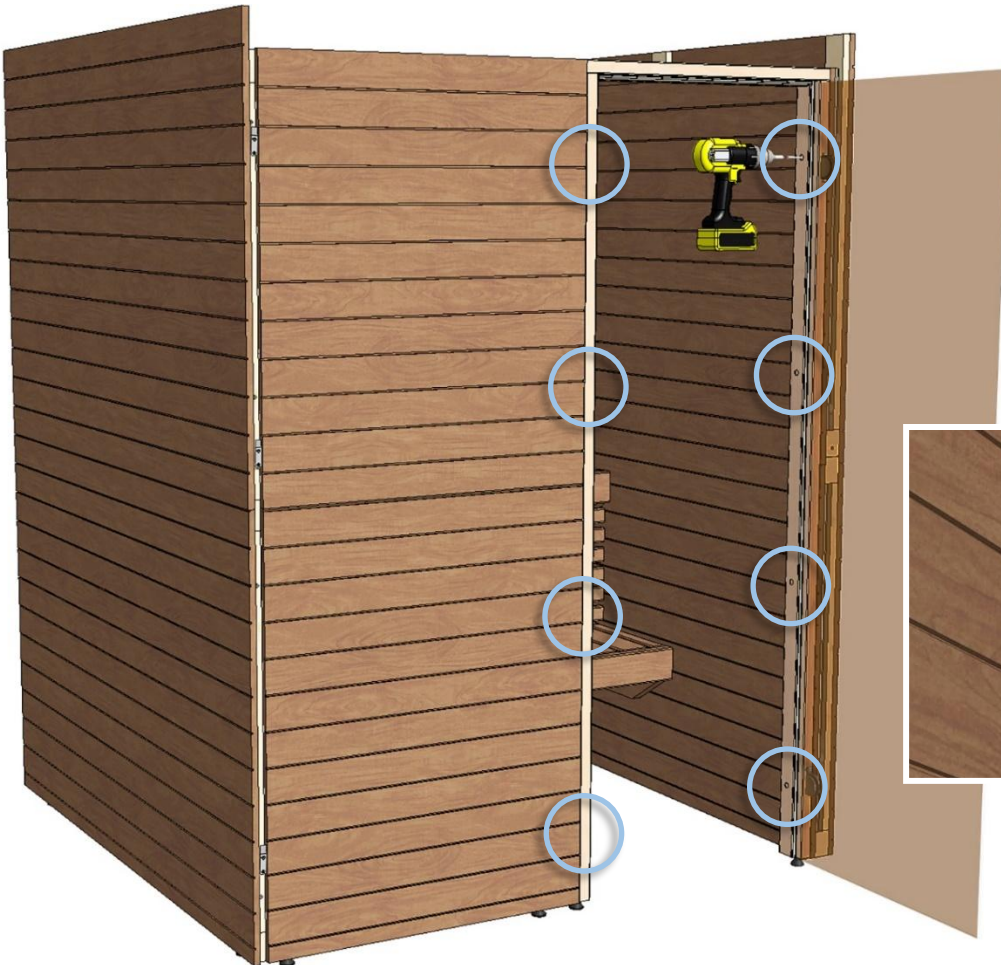


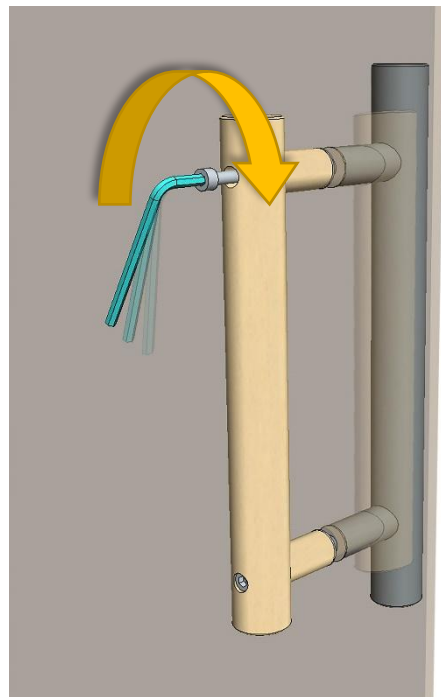
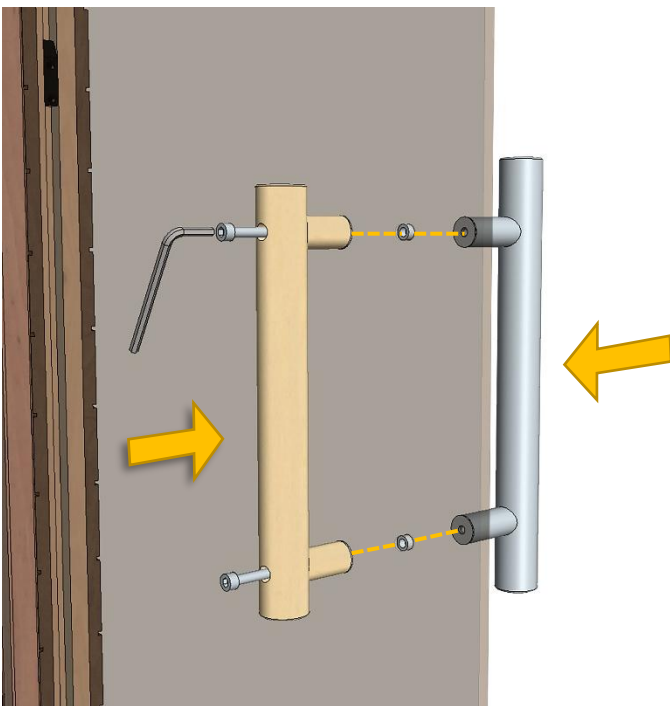
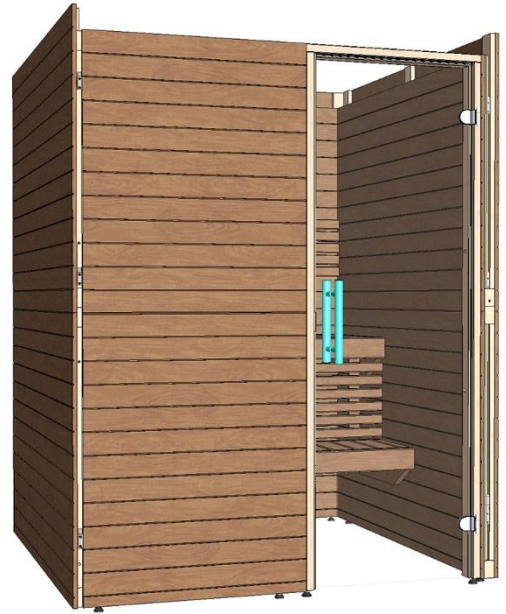
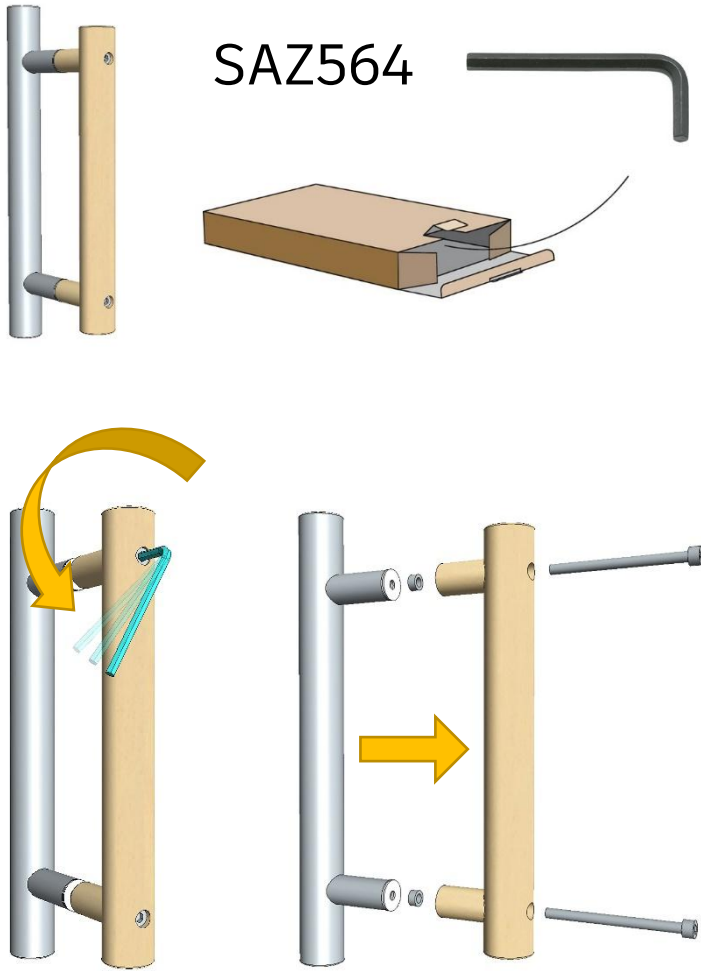




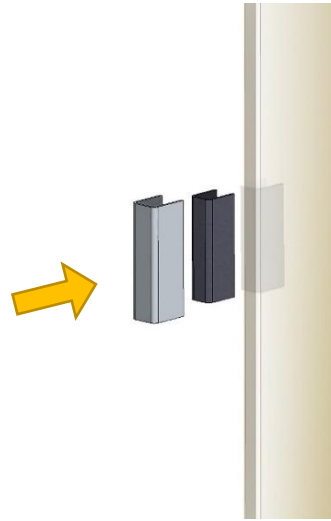
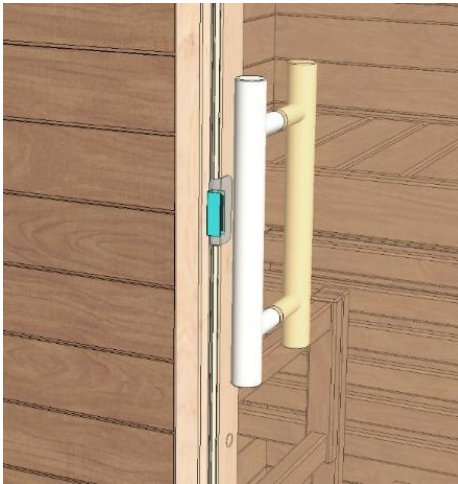


Zn 5 \* 80 mm

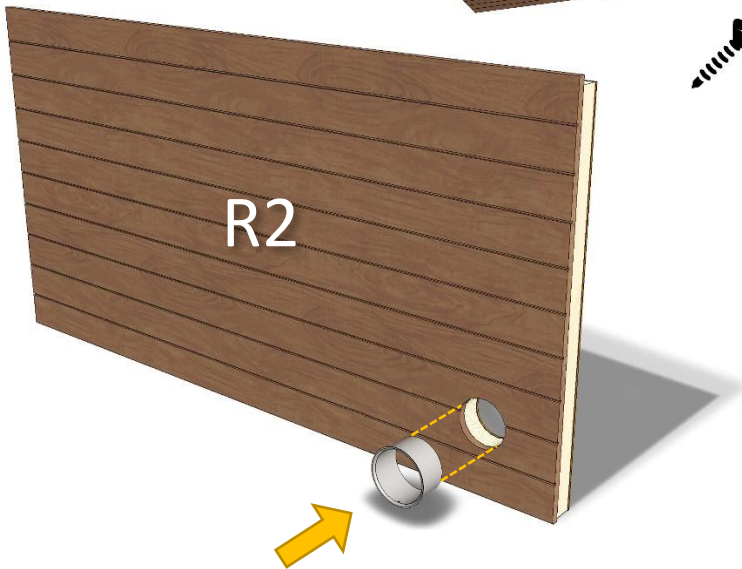
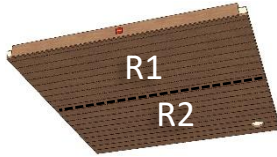




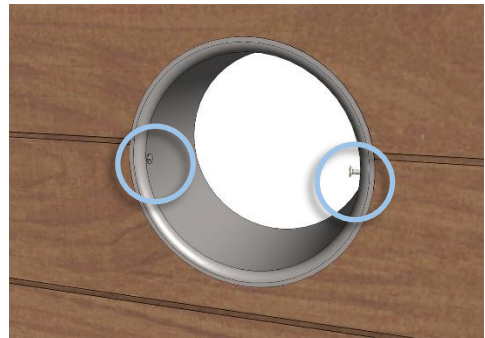
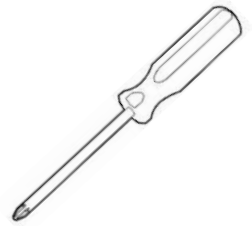
### ZVEL-259C



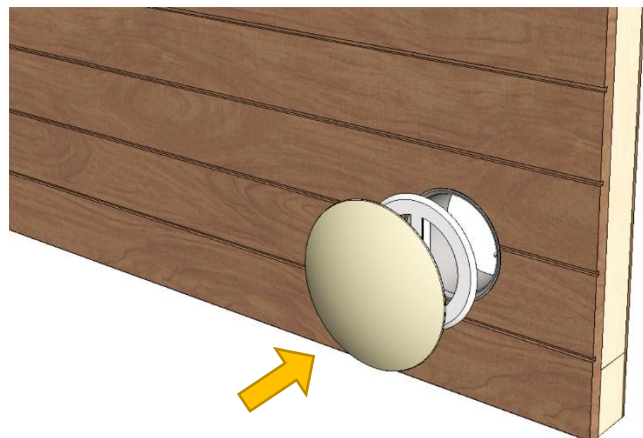
ZVEL-10



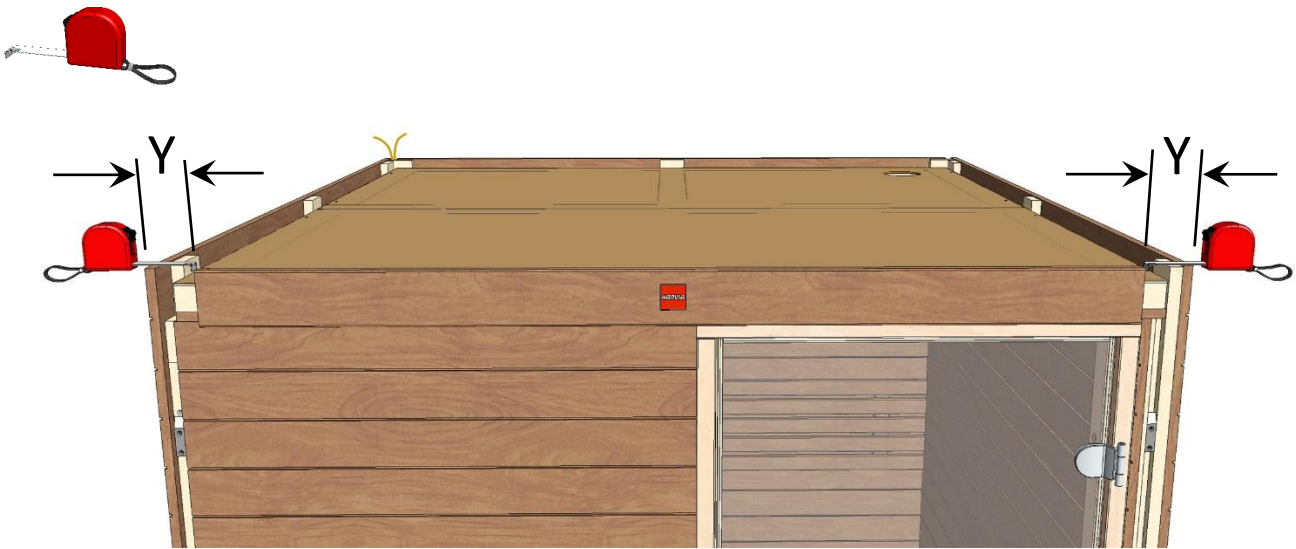
Ss 3 \* 25 mm



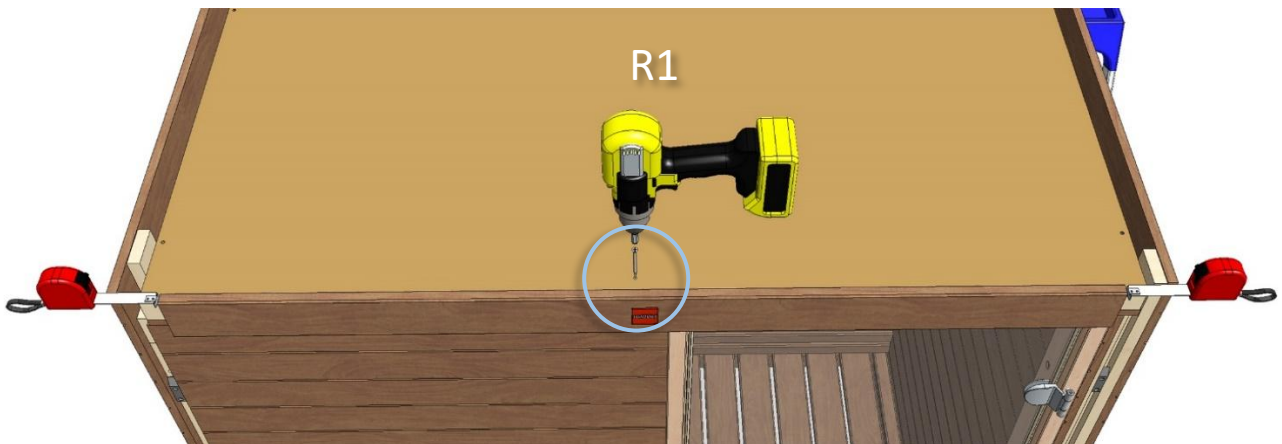
SZ093L

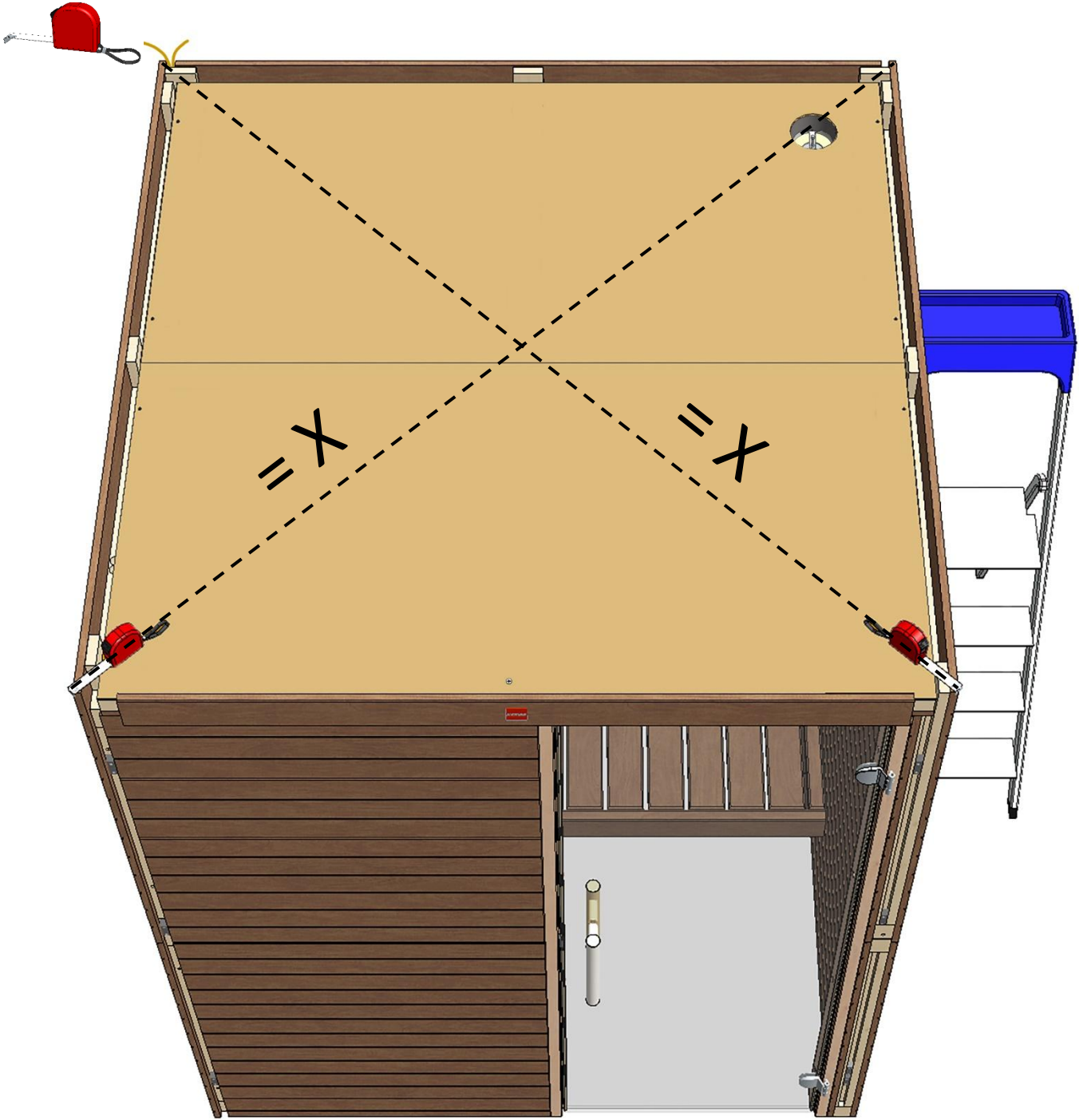






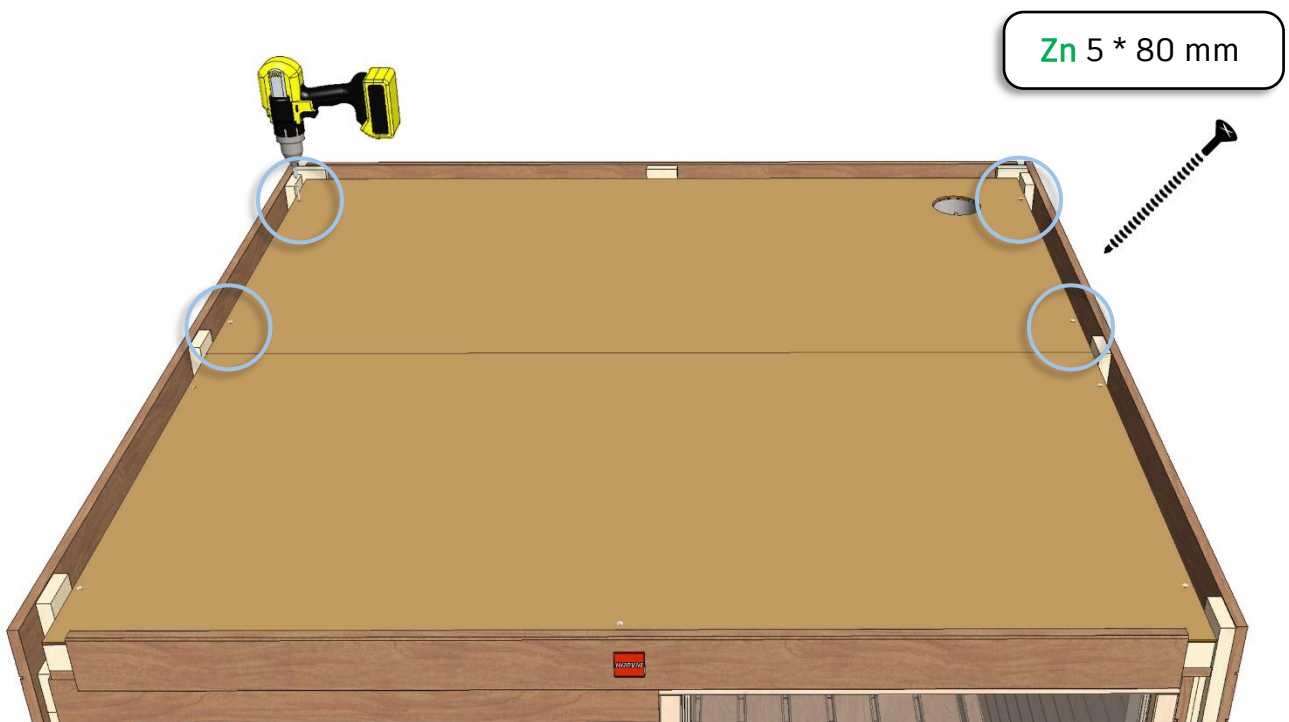
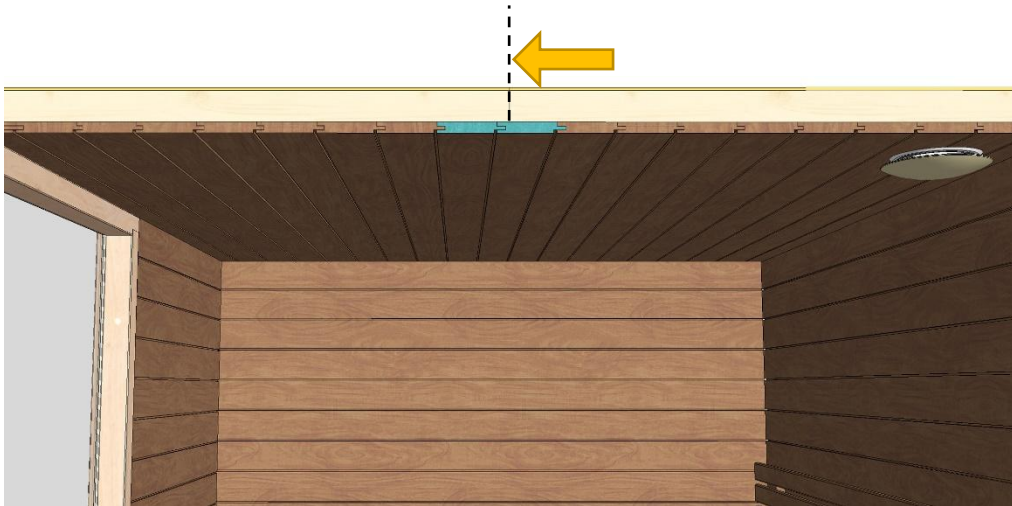
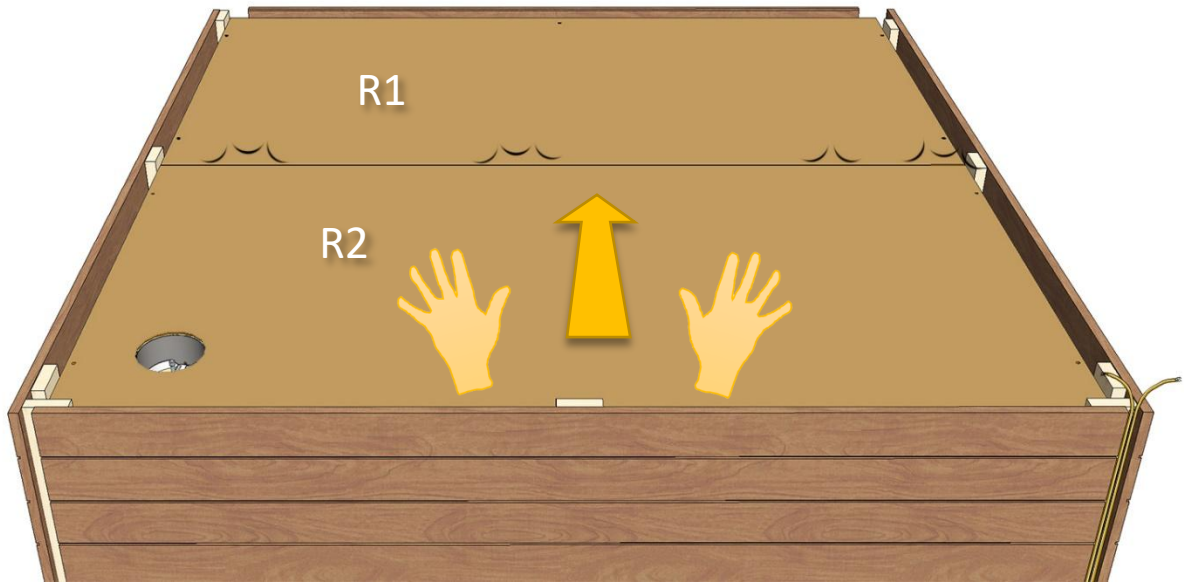
Zn 5 \* 80 mm





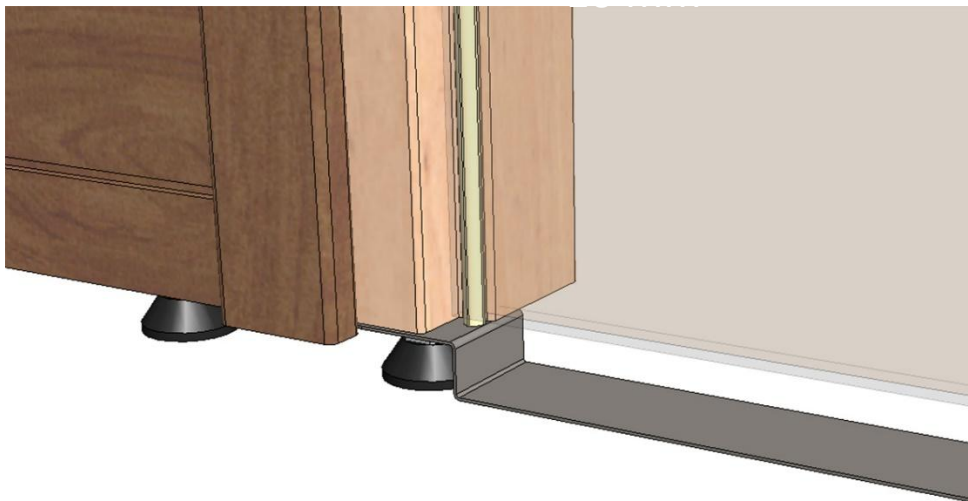
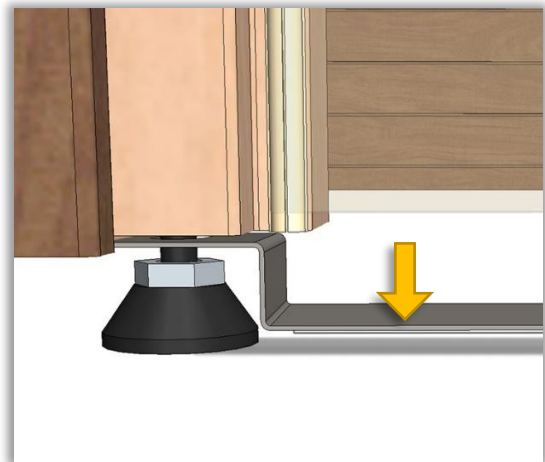
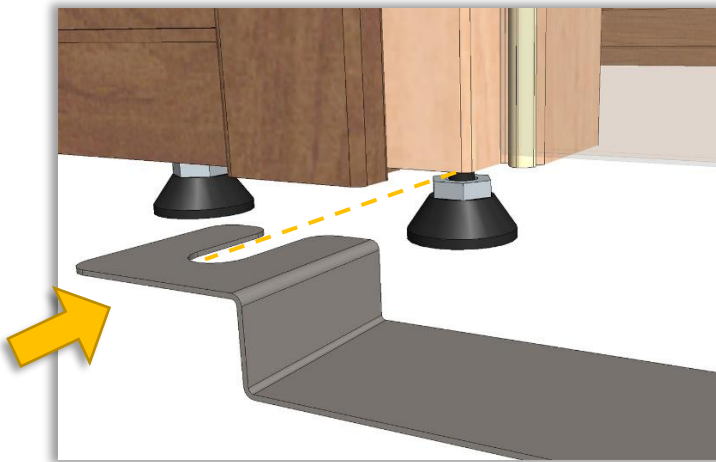
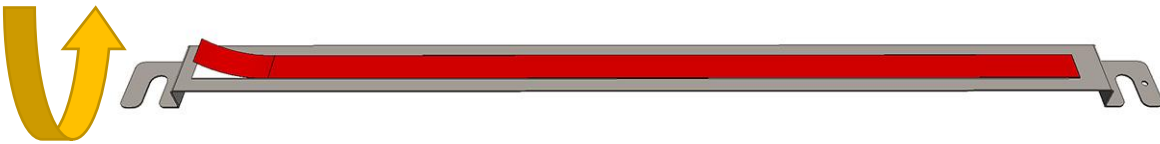
Zn 5 \* 80 mm







ZVEL-851

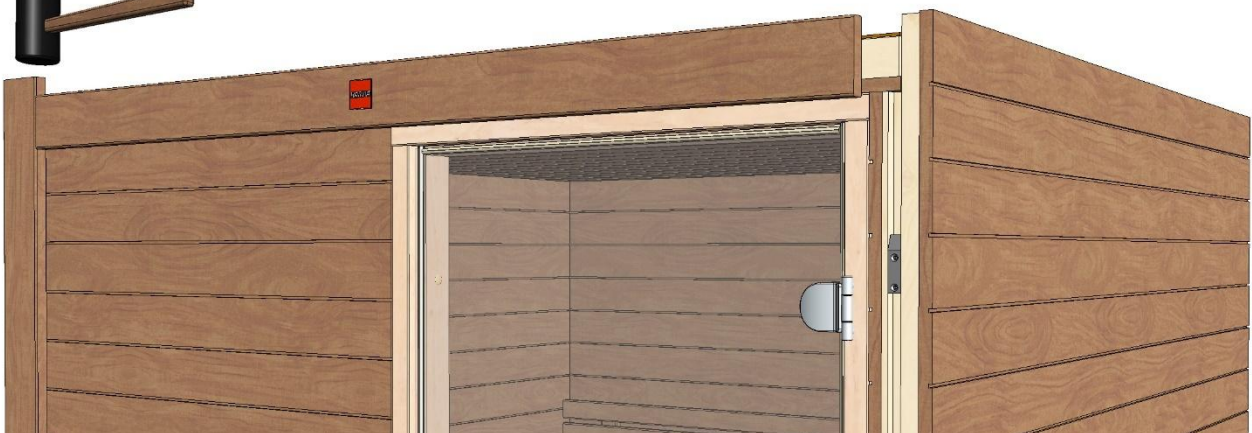


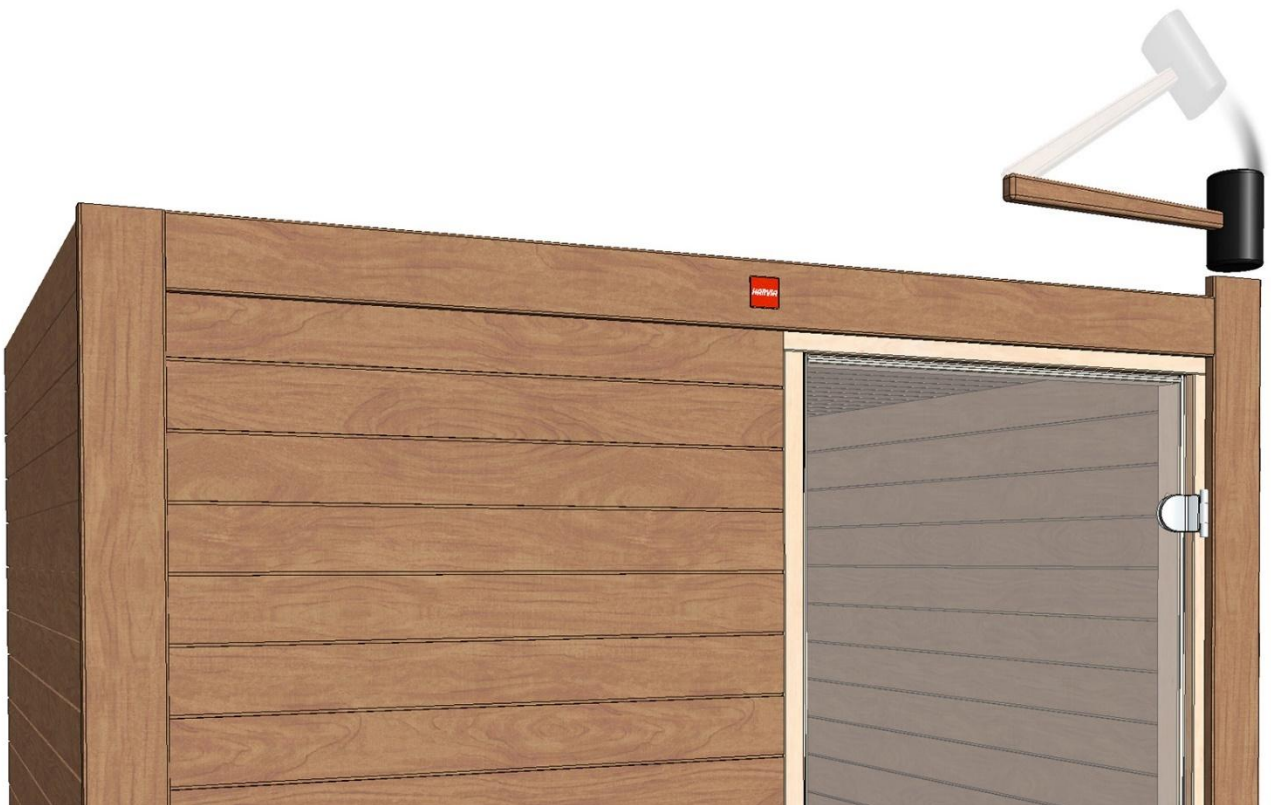
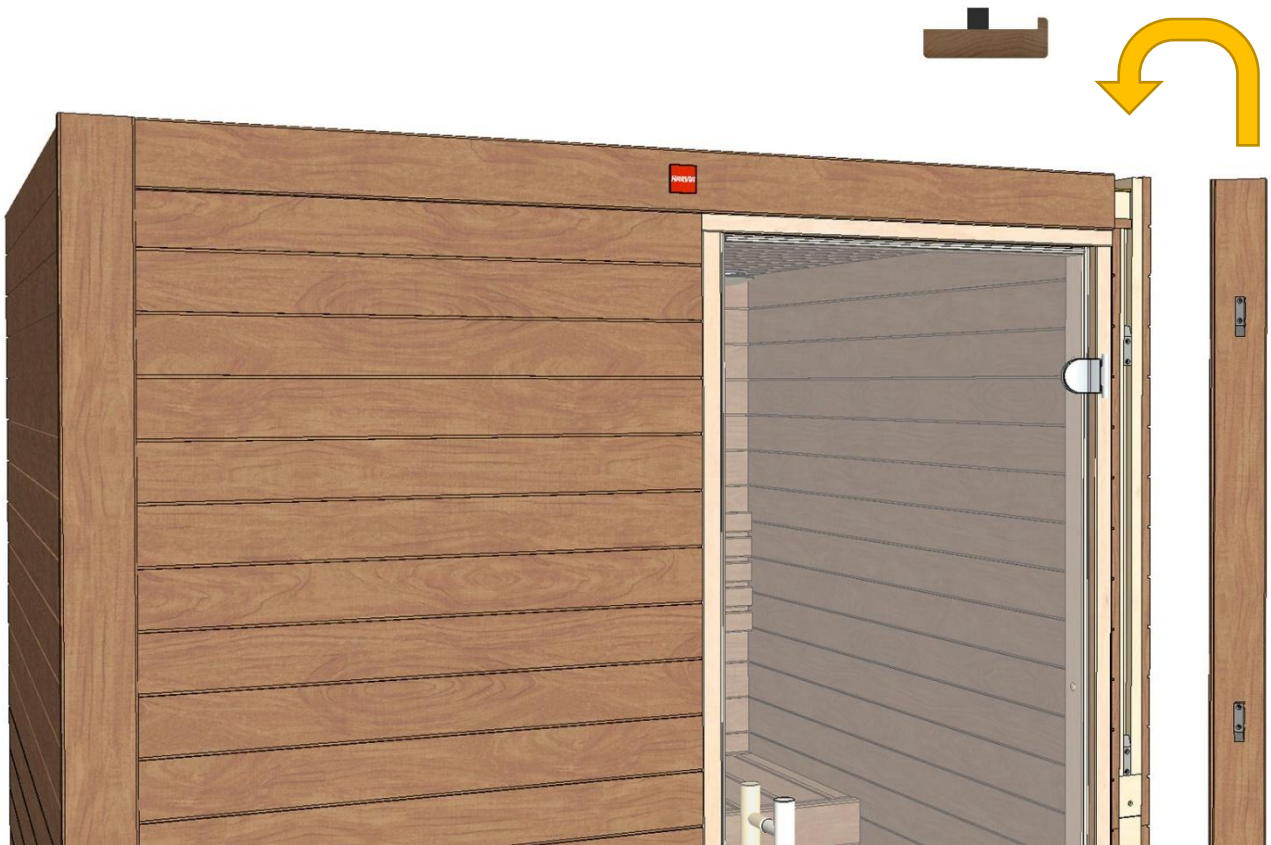


90 \* 28 \* 2034



90 \* 28 \* 2034





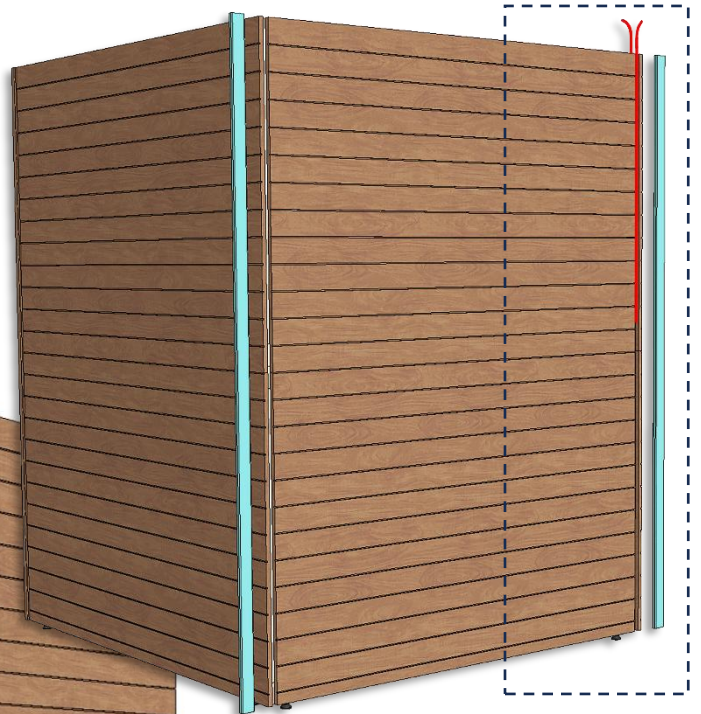
45 \* 15 \* 1953



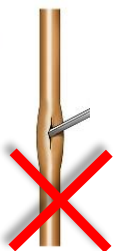
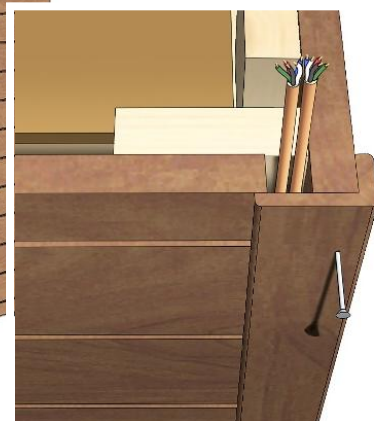
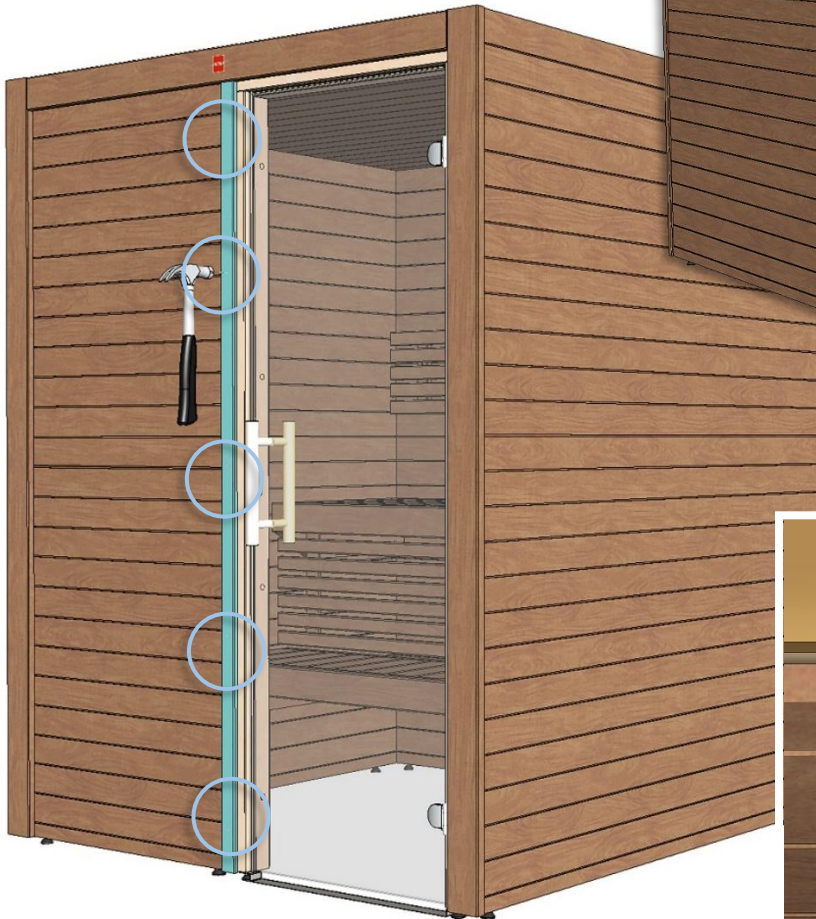
Zn 1,7 \* 45 mm

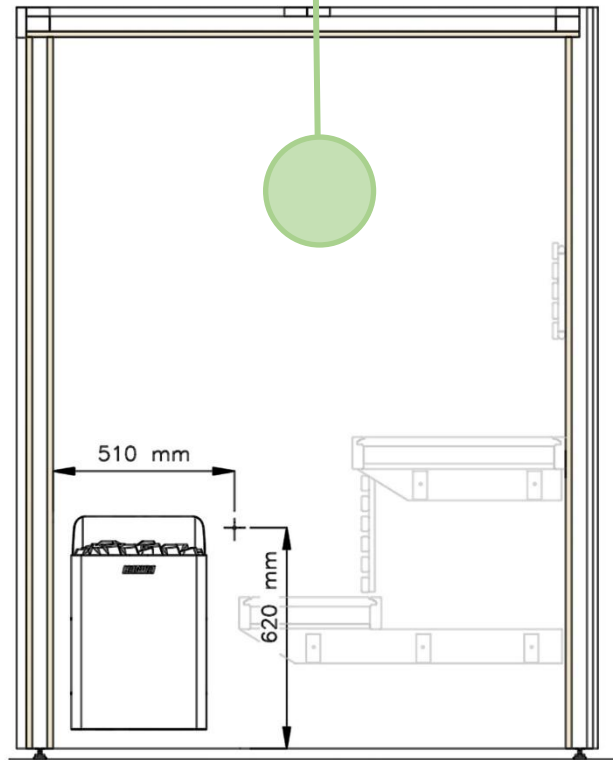
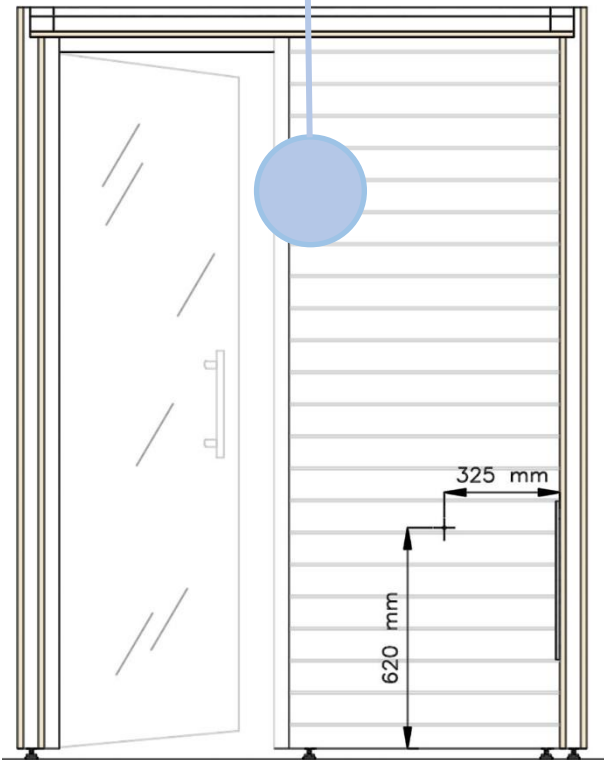
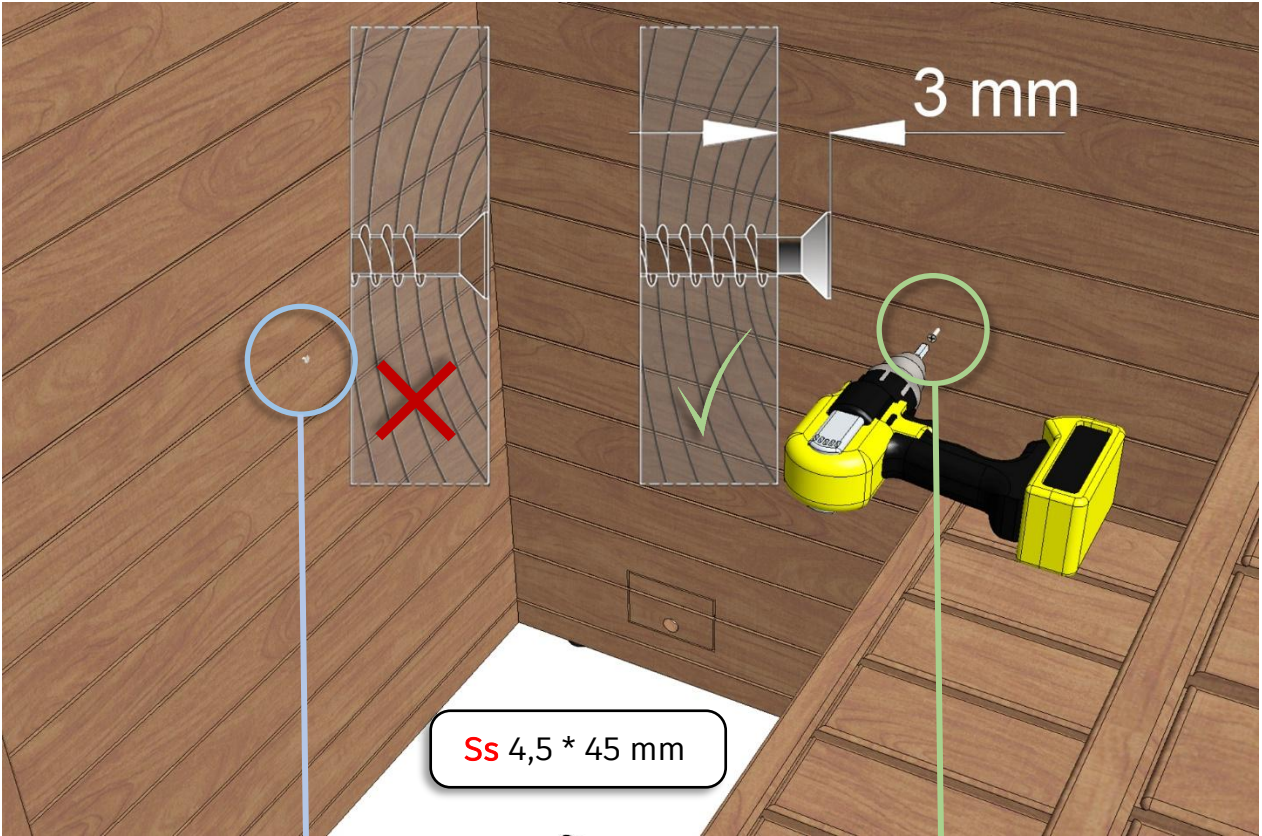


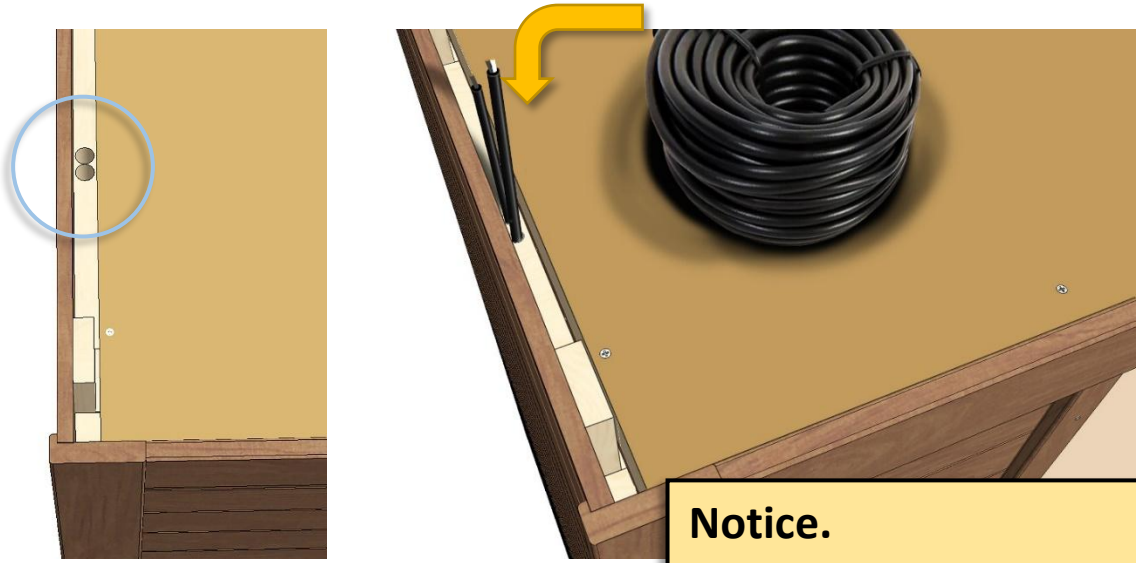
21 \* 52 \* 2034



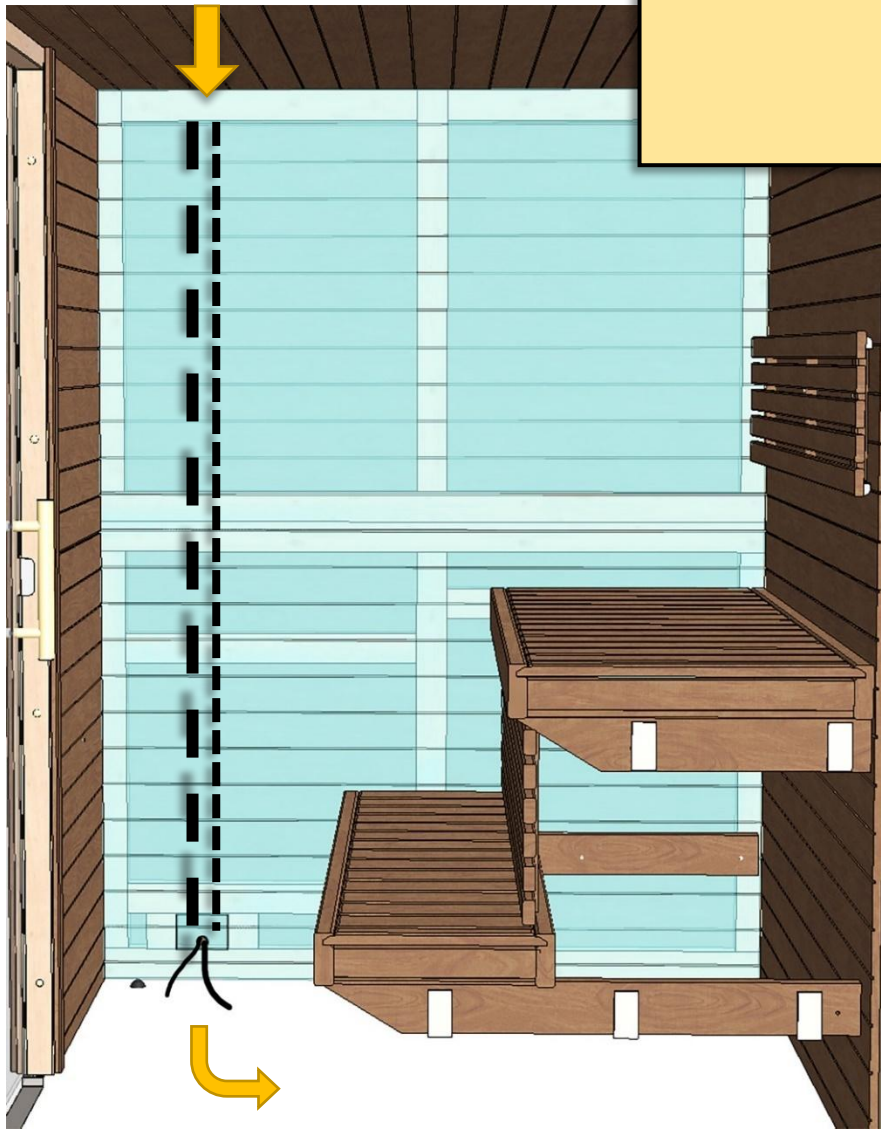
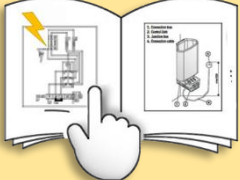
45 \* 15 \* 1953







**Notice.**  
Check right cables from the manual of the heater!

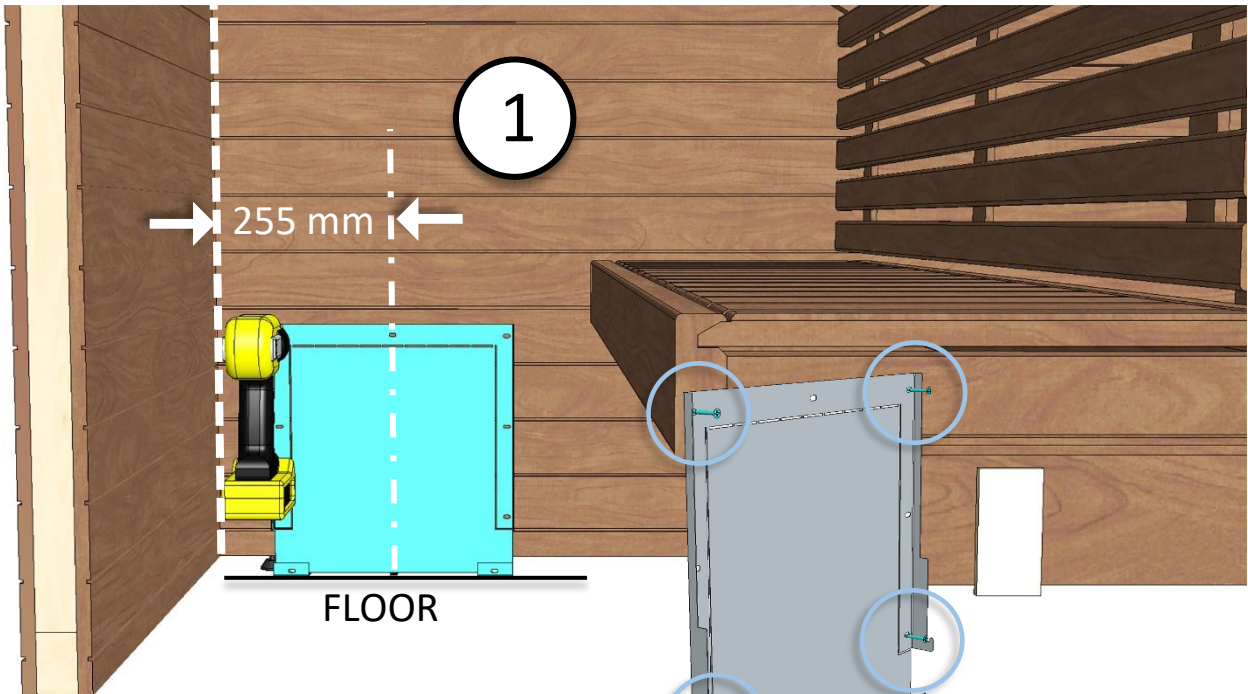
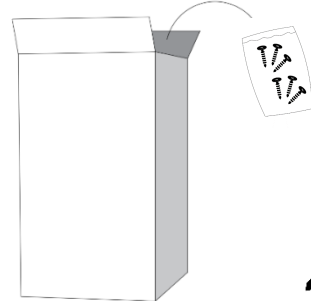
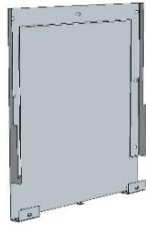


### Notice!

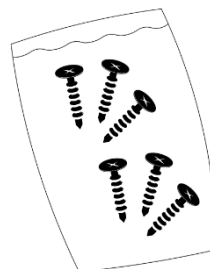
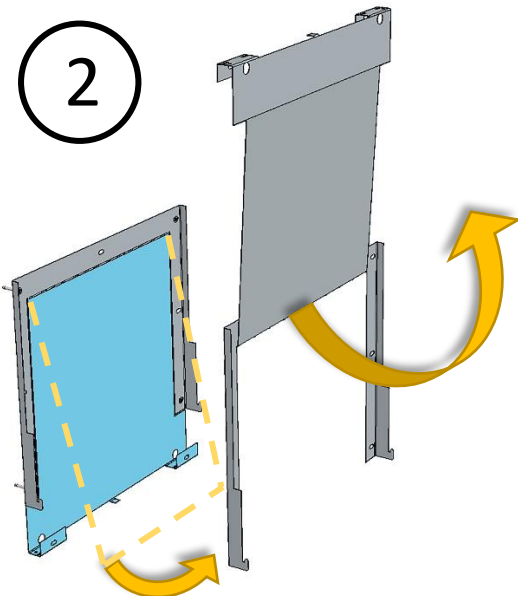
Heater is not included.

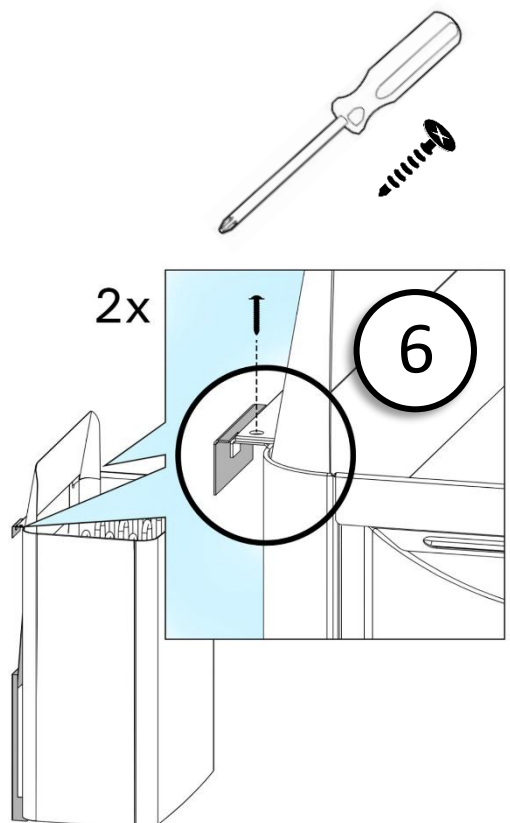
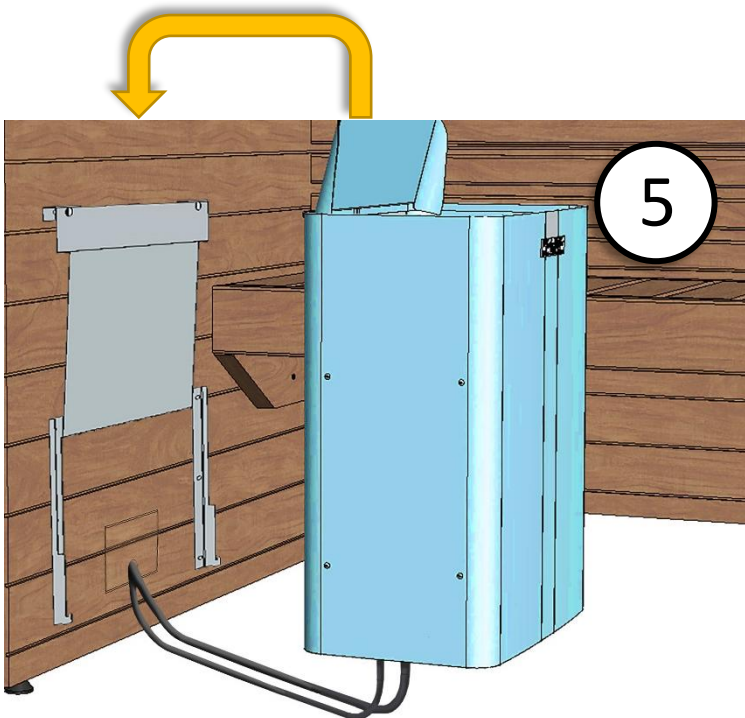
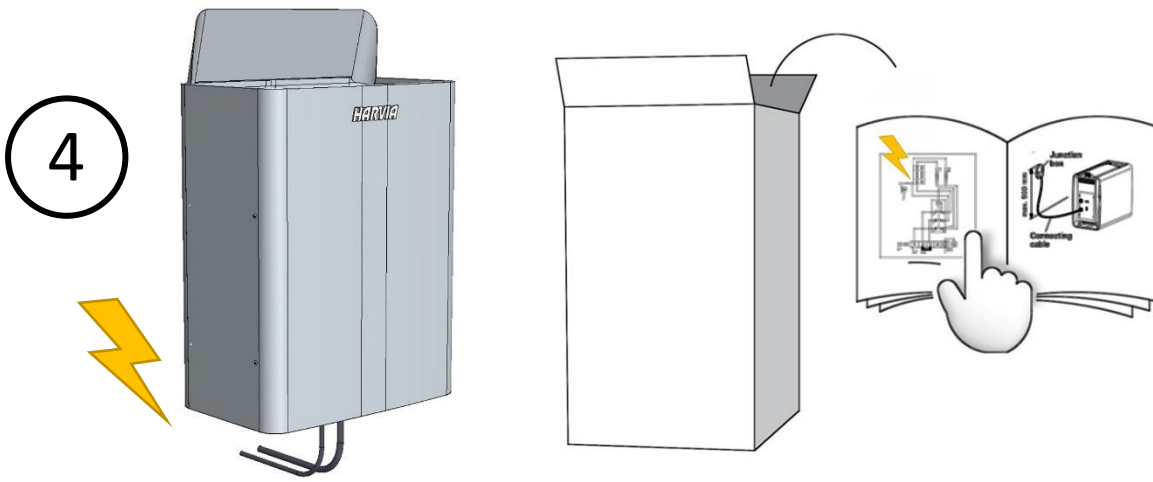
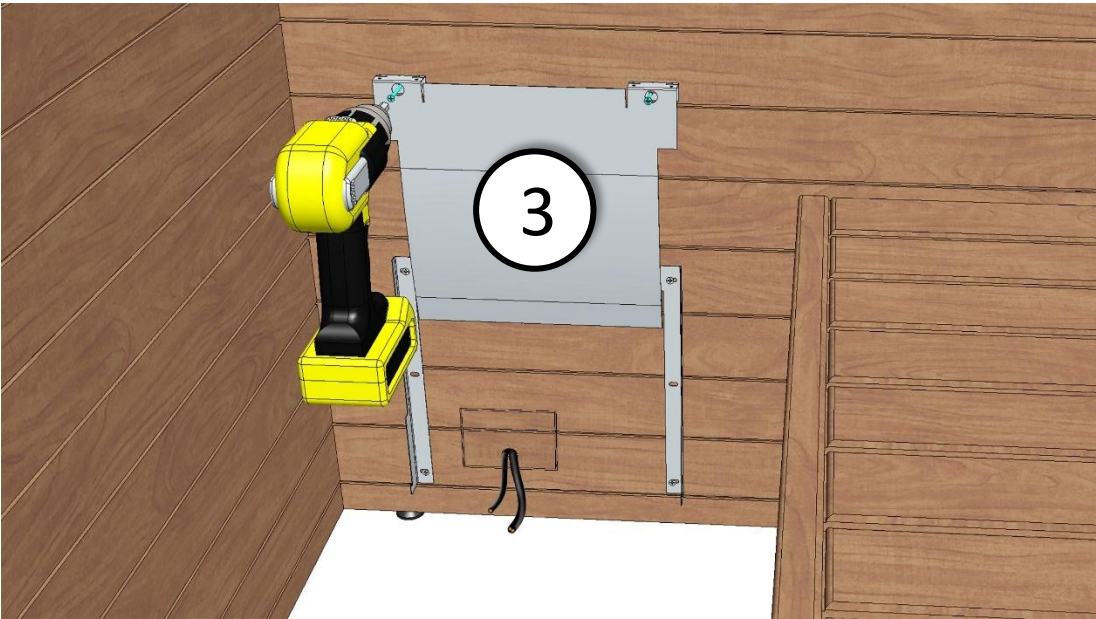
Recommended heater for this sauna is The Wall SW60 (6,0 kW).

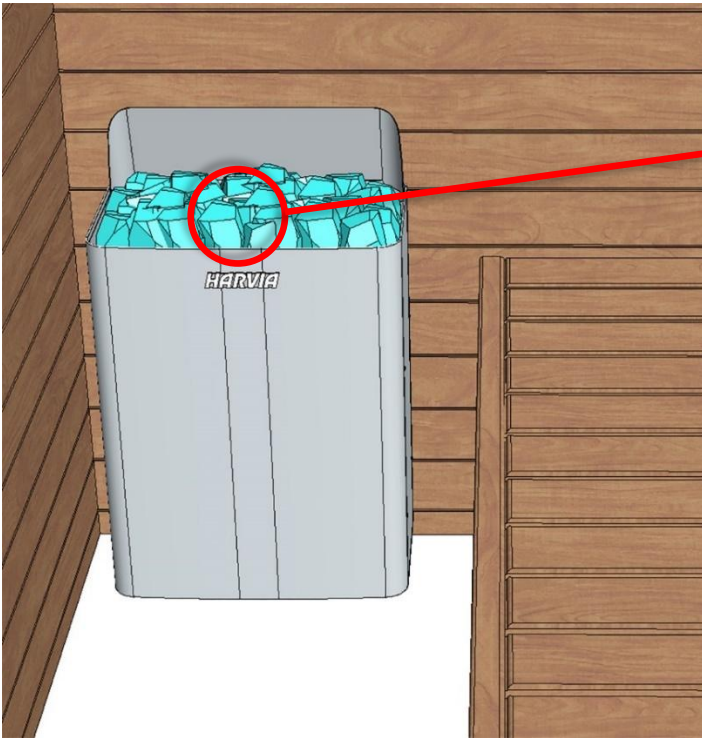
SW60



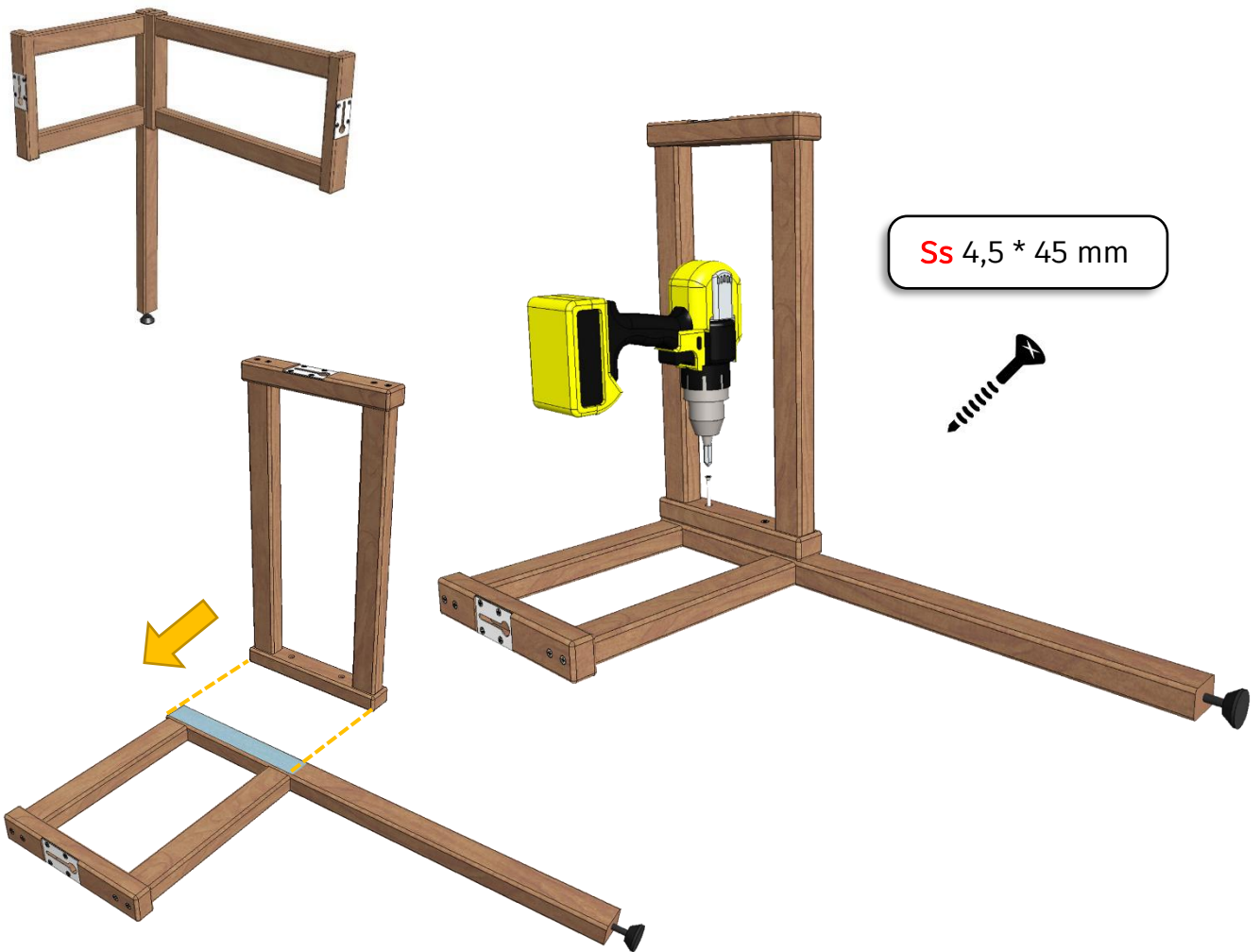
2





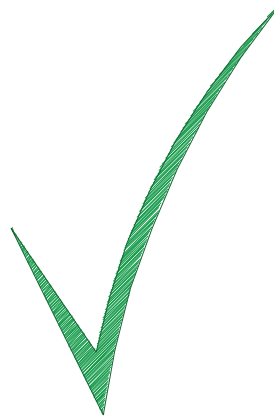
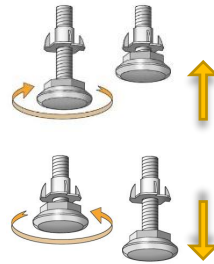
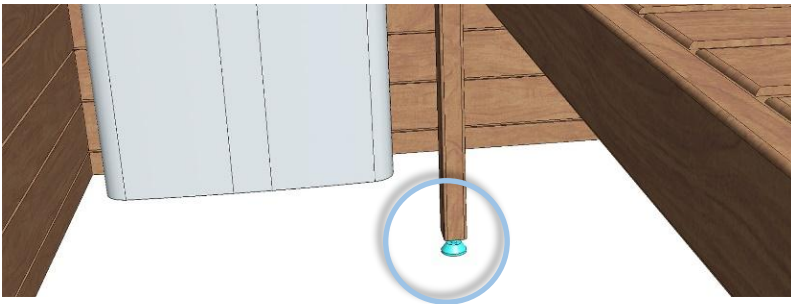
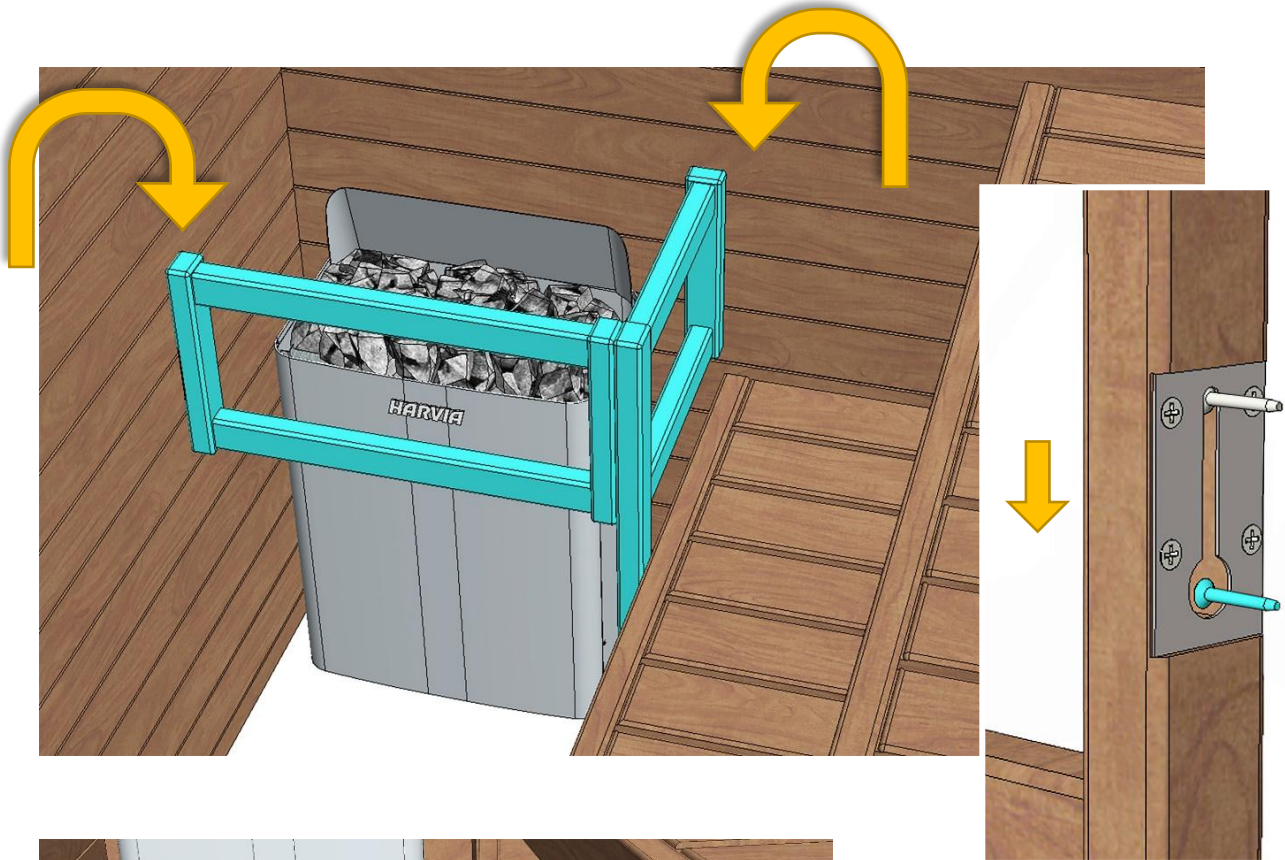


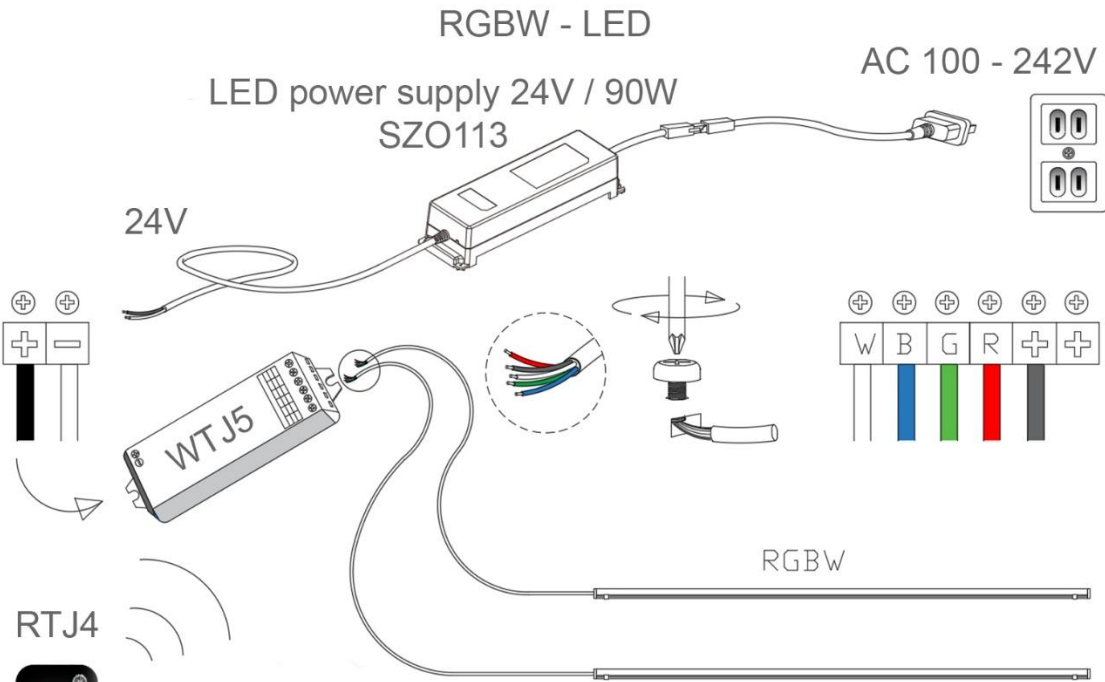
AC3000



Ss 4,5 \* 45 mm



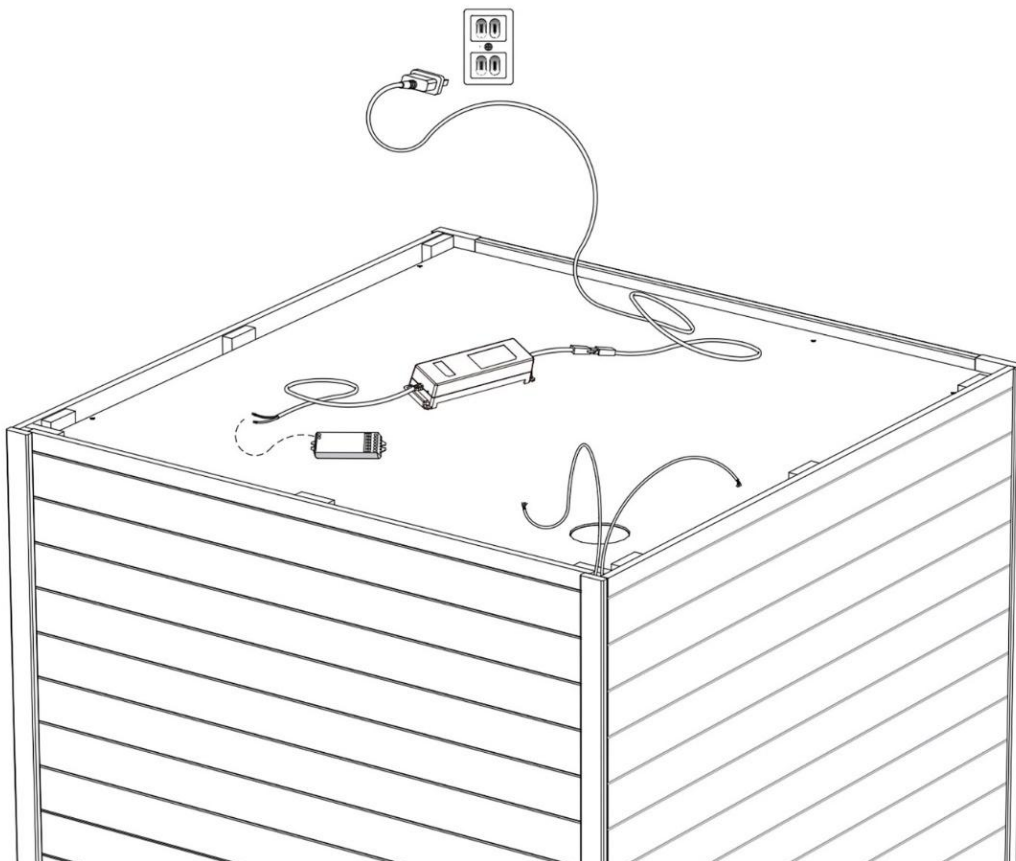




**NOTICE!**

The external flexible cable or cord of this luminaire cannot be replaced; if the cord is damaged, the luminaire shall be destroyed.

The light source of this luminaire is not replaceable; when the light source reaches its end of life, whole luminaire shall be replaced.





NOTES

---

---

---

---

---

---

---

---

---

---



