

# Sauna control PRO B

## new function „Door sensor“

Supplement / change to the operating instructions:

PRO-B2 /1-015-455 , PRO-B3 /1-015-457 Version 12/21

Product manual you can find at: <https://www.sentiotec.com/downloads> or

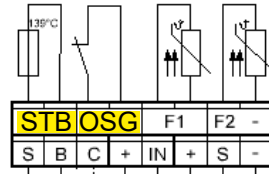
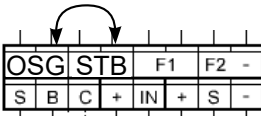


**The new function ensures optimal door monitoring for remote control!**

Optionale accessories: Door sensor home SAB00103 / 1-052-723



**The connection position of STB and OSG were exchanged!**



**NEU**

EN

DE

Note the change in the above product manual under the following points:

### 5. Electrical connection

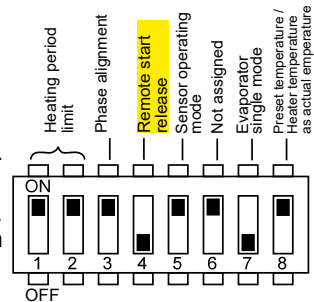
Installing heater sensor (clamp red wires at STB)

Connecting safety device or **NEW** connecting door sensor

### 8. Starting up

Remote start release:

- **As standard the function selection switch** is in the OFF position. The remote star is operated using „Standby for remote control“.
- If you want to enable the remote start output for various devices (e.g. coinoperated unit, remote start system), set the function selection switch 4 in the ON position



Function selection switch – Standard setting

### Activate door sensor at Pro B2

1. Open the technician menu (press at the same time: ON/OFF button, preset time button and the lower bottom knob)
  - ▶ In the top display „SdO“ appears
  - ▶ In the bottom display „SAFE“ appears (= standard setting)
2. Turn the lower knob to the right
  - ▶ In the lower display “door“ appears
3. Exiting the technician menu (Longpress on the lower knob)

### Activate door sensor at Pro B3

1. Open the technician menu (press at the same time: ON/OFF button, preset time button and the lower bottom knob)
  - ▶ In the top display „dry“ appears
  - ▶ In the bottom display „t60“ appears
2. Turn the lower button (Selection 0 - 60; 0 = post-drying programm off , 60 = maximum runtime in minutes)
3. Press the lower knob
  - ▶ In the top display „SdO“ appears
  - ▶ In the bottom display „SAFE“ appears (= standard setting)
4. Turn the lower knob to the right
  - ▶ In the lower display “door“ appears
5. Exiting the technician menu (Longpress on the lower knob)

## 10. Operation

### Activating „Standby for remote operation“ with door sensor

Press the ON/OFF switch, to switch on the sauna control unit.

Press the lower knob (= Temperature selector) for three seconds (=Longpress)

- ▶ A countdown of 30 seconds is shown in the lower display. During this time, the door can be opened/ closed as often as you like. After the countdown has expired, the door must be closed!
- ▶ The remote start indicator starts flashing.
- ▶ The sauna control is now ready to be started and stopped once via a remote start signal = Mode „Standby for remote operation“

EN

### Door is opened - warning „door“ appears in the display

- at mode „Standby for remote operation“:

To continue the mode, the door must be closed and the warning must be acknowledged with a long press on the lower rotary control. ▶ The countdown (30 sec.) is shown again in the lower display.

- in operation or enable remot start output (for coinoperated unit or door sensor system):

The acknowledgment takes place automatically when the door is closed.

# Saunasteuerung PRO B

## neue Funktion „Türsensor“

Ergänzung / Änderung zu den Bedienungsanleitungen:

PRO-B2 /1-015-455 , PRO-B3 /1-015-457 Version 12/21

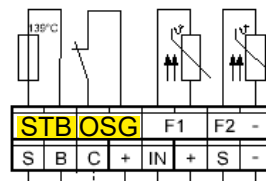
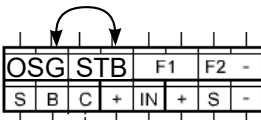
Bedienungsanleitung unter: <https://www.sentiotec.com/downloads> oder



Die neue Funktion gewährleistet die eine optimale Türüberwachung bei Fernwirken!  
optionales Zubehör: Türsensor Home SAB00103 / 1-052-723



**Die Anschlussposition von STB und OSG wurden getauscht!**



**NEU**

Beachten Sie die Änderungen in den oben angeführten Bedienungsanleitungen unter folgenden Punkten:

DE

### 5. Elektrischer Anschluss

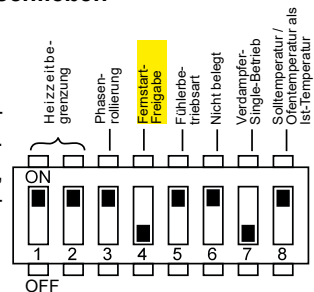
**Ofenfühler anschließen** (rote Leitungen an STB anklammern)

**Sicherheitsabschaltung anschließen bzw. NEU Türsensor anschließen**

### 8. Inbetriebnahme

**Fernstart-Freigabe:**

- **Standardmäßig** befindet sich der **Funktionswahlschalter 4** in **OFF**-Position. Der Fernstart wird mittels „Standby für Fernwirken“ aktiviert.
- Wenn Sie den Fernstart-Ausgang für div. Geräte (wie z.B. Münzer, Türsensor-System) freischalten möchten, bringen Sie den Funktionswahlschalter 4 in ON-Position.



Funktionswahlschalter-StandardEinstellung

**Türsensor aktivieren bei Pro B2**

1. Rufen Sie das Techniker-Menü auf (Beim Einschalten gleichzeitig die Tasten EIN/AUS, Vorwahlzeit und den unteren Drehknopf drücken)
  - ▶ Im oberen Display erscheint „SdO“
  - ▶ Im unteren Display erscheint „SAFE“ (=Standardeinstellung)
2. Drehen Sie den unteren Drehknopf nach rechts
  - ▶ Im unteren Display erscheint „door“
3. Verlassen Sie das Techniker-Menü (Longpress auf unteren Drehregler)

### Türsensor aktivieren bei Pro B3

1. Rufen Sie das Techniker-Menü auf (Drücken Sie gleichzeitig die Vorwahlzeit-Taste und den unteren Drehknopf = Temperaturwähler)
  - ▶ Im oberen Display erscheint „dry“
  - ▶ Im unteren Display erscheint „t60“
2. Drehen Sie den unteren Drehknopf (Auswahl 0 - 60; 0 = Nachtrockenprogramm ausgeschaltet 60 = maximale Laufzeit in Minuten)
3. Drücken Sie den unteren Drehknopf
  - ▶ Im oberen Display erscheint „SdO“
  - ▶ Im unteren Display erscheint „SAFE“
4. Drehen Sie den unteren Drehknopf nach rechts
  - ▶ Im unteren Display erscheint „door“
5. Verlassen Sie das Technikermenü (Longpress auf unteren Drehregler)

## 10. Bedienung

### Standby für Fernwirken (mit Türsensor) aktivieren

Drücken Sie den EIN/AUS-Schalter, um die Saunasteuerung einzuschalten.

Drücken Sie für 3 Sekunden (=Longpress) den unteren Drehknopf (=Temperaturwähler)

- ▶ Im unteren Display wird ein Countdown von 30 Sekunde angezeigt. Die Tür kann in dieser Zeit beliebig oft geöffnet / geschlossen werden. Nach Ablauf des Countdown muss die Türe geschlossen sein!
- ▶ Die Fernstart-Anzeige blinkt
- ▶ Die Saunasteuerung ist nun bereit um über ein Fernstartsignal einmalig gestartet und gestoppt zu werden = Modus „Standby für Fernwirken“

### Tür wird geöffnet - im Display erscheint Warnung „door“

- im Modus Standby für Fernwirken:

Um den Modus fortzusetzen muss die Tür geschlossen werden, und die Warnung muss mittels Longpress auf den unteren Drehregler quittiert werden. ▶ Im Display wird wieder der Countdown (30Sek.) angezeigt.

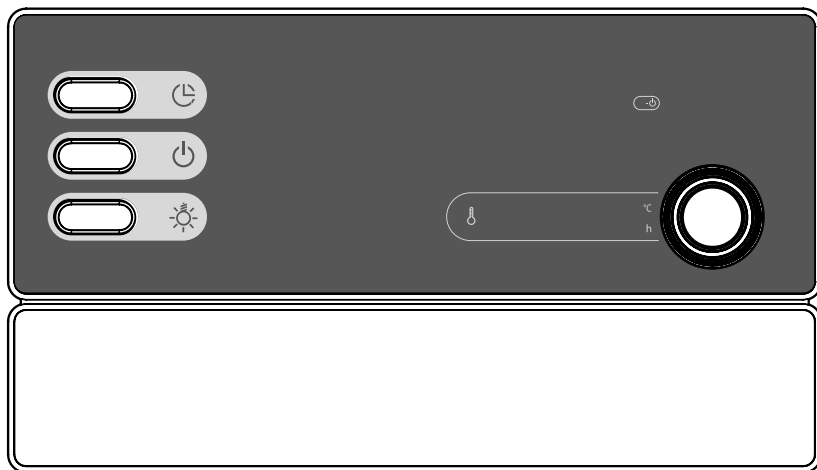
- im laufenden Betrieb oder freigegebenen Fernstart-Ausgang (für Münzer oder Türsensor-System): Die Quittierung erfolgt automatisch, wenn die Tür geschlossen wird.

# Sauna control unit

# PRO B2

## INSTRUCTIONS FOR INSTALLATION AND USE

### English



PRO-B2 / 1-015-455

# Table of Contents

<b>1. About this instruction manual</b>	<b>4</b>
<b>2. Important information for your safety</b>	<b>5</b>
2.1. Intended use	5
2.2. Safety information for the installer	6
2.3. Safety information for the user	7
<b>3. Product description</b>	<b>8</b>
3.1. Scope of delivery	8
3.2. Optional accessories	8
3.3. Product functions	8
3.4. Sensor operating modes	9
<b>4. Installation</b>	<b>10</b>
4.1. Installing the sauna control unit	10
4.2. Installing the heater sensor F1 with excess temperature fuse	12
4.3. Installing bench sensor F2 (optional)	13
<b>5. Electrical connection</b>	<b>14</b>
5.1. Connecting the power supply cable and heater cable	15
5.2. Connecting the light	15
5.3. Connecting the power booster (optional)	16
5.4. Connecting heater sensor F1	16
5.5. Installing bench sensor F2 (optional)	16
5.6. Connecting the safety shut-off	16
5.7. Remote start	17
5.8. Finishing installation	17
<b>6. Performing tests</b>	<b>18</b>
<b>7. Connection diagram</b>	<b>20</b>

<b>8. Starting-up</b>	<b>21</b>
8.1. Setting the heating period limit	21
8.2. Activating/deactivating phase alignment	22
8.3. Remote start release	22
8.4. Activating/deactivating the single-sensor mode	22
8.5. Displaying the heater temperature in single-sensor mode	22
<b>9. Operation</b>	<b>23</b>
9.1. Operating elements	23
9.2. Switching on the light	23
9.3. Switching on the sauna control unit	24
9.4. Starting the sauna	24
9.5. Changing the preset temperature	24
9.6. Setting the preset time	25
9.7. Cancelling the preset time function	26
9.8. Activating standby for remote operation	26
9.9. Switching off the sauna control unit	26
<b>10. Cleaning and maintenance</b>	<b>27</b>
10.1. Cleaning	27
10.2. Maintenance	27
<b>11. Disposal</b>	<b>27</b>
<b>12. Troubleshooting</b>	<b>28</b>
12.1. Error messages	28
12.2. Fuses	29
<b>13. Technical data</b>	<b>30</b>

# 1. About this instruction manual

Read these instructions for installation and use carefully and keep them within reach of the sauna control unit. This ensures that you can refer to information regarding your safety and regarding operation at any time.



These installation and operating instructions can also be found in the downloads section of our website: [www.sentiotec.com/downloads](http://www.sentiotec.com/downloads).

## **Symbols used for warning notices**

In these instructions for installation and use, a warning notice located next to an activity indicates that this activity poses a risk. Always observe the warning notices. This prevents damage to property and injuries, which in the worst case may be fatal.

The warning notices contain keywords, which have the following meanings:



### **DANGER!**

Serious or fatal injury will occur if this warning notice is not observed.



### **WARNING!**

Serious or fatal injury can occur if this warning notice is not observed.



### **CAUTION!**

Minor injuries can occur if this warning notice is not observed.

### **ATTENTION!**

This keyword is a warning that damage to property can occur.

## **Other symbols**



This symbol indicates tips and useful information.



## 2. Important information for your safety

The sauna control unit Pro B2 has been produced in accordance with the applicable safety regulations for technical units. However, hazards may occur during use. Therefore adhere to the following safety information and the specific warning notices in the individual chapters. Also observe the safety information for the devices connected.

### 2.1. Intended use

The sauna control unit Pro B2 is used exclusively for operating and controlling the sauna functions in accordance with the technical data.

The sauna control unit Pro B2 may only be used for operating and controlling a sauna heater which has been certified as satisfying the combustion test described in paragraph 19.101 of EN 60335-2-53. If the heater does not meet this requirement, an appropriate safety precaution must be taken (for example: safety shut-off, see **5.6** on page **16**).

The sauna control unit Pro B2 may only be used for operating and controlling 3 heating circuits with a maximum heating capacity of 3.5 kW per heating circuit.

Any use exceeding this scope is considered improper use. Improper use can result in damage to the product, in severe injuries or death.

## 2.2. Safety information for the installer

- Installation may only be performed by a qualified electrician or similarly qualified person.
- Work on the sauna control unit may only be performed when the power has been disconnected.
- An all-pole disconnecting device with full cut-off compliant with overvoltage category III must be fitted on-site.
- The sauna control unit must be installed outside the sauna room at a height of approx. 1.70 m or in accordance with the recommendation issued by the sauna manufacturer. The ambient temperature must be within a range spanning -10 °C to +40 °C.
- The heater sensor must be attached in a way that it is not affected by a flow of air.
- The heater supply cable must have a minimum cross-section of 2.5 mm<sup>2</sup> and be temperature resistant up to 150 °C.
- Also comply with the regulations applicable at the installation location.
- For your own safety, consult your supplier in the event of problems that are not explained in sufficient detail in the installation instructions.

### 2.3. Safety information for the user

- The sauna control unit must not be used by children under 8 years old.
- The sauna control unit may only be used by children above 8 years old, by persons with limited psychological, sensory or mental capabilities or by persons with lack of experience/knowledge:
  - When they are supervised.
  - When they have been shown how to use the device safely and are aware of the hazards that could occur.
- Children must not play with the sauna control unit.
- Children under 14 years of age may only clean the sauna control unit if they are supervised.
- For health reasons, do not use the sauna when under the influence of alcohol, medication or drugs.
- Make sure that no flammable objects have been placed on the sauna heater before the sauna control unit is switched on.
- Make sure that no flammable objects have been placed on the heater before activating the preset time function or the stand-by mode for the remote start.
- For your own safety, consult your supplier in the event of problems that are not described in sufficient detail in the operating instructions.

## 3. Product description

### 3.1. Scope of delivery

- Sauna control unit
- Heater sensor with integrated excess temperature fuse
- Sensor wires
- Installation material

### 3.2. Optional accessories

- Bench sensor (item number: O-F2)
- Power booster (item number: O-S2-18 / O-S2-30)
- Safety shut-off (item number: SFE-xxxxx)
- pronet web server (item number: PRO-NET)

### 3.3. Product functions

The sauna control unit Pro B2 features the following functions:

- Regulation of sauna heaters with a heating output of up to 10.5 kW in the temperature range spanning 30 °C to 110 °C.
- A power booster allows the maximum contact rating to be increased from 10.5 kW to 18 kW or 30 kW.
- Remote start function
- Preset time function (up to 24 hours)
- Automatic heating period limiter  
The sauna control unit shuts down automatically after the maximum heating period for safety reasons. The maximum heating period can be set to 6 h, 12 h, 18 h or 24 h.
- Excess temperature fuse  
The excess temperature fuse is installed in the housing for the heater sensor. Should the sauna heater continue heating after reaching the preferred temperature due to a defect, the excess temperature fuse switches the sauna heater off at a temperature of approx. 139 °C.

### 3.4. Sensor operating modes

The sauna control unit can be operated with one or two temperature sensors.

#### ***Single-sensor mode (F1)***

Single-sensor mode must be activated when starting up the sauna for the first time (see **8.3. Activating/deactivating the single-sensor mode** on page **22**).

In single-sensor mode, the sauna control unit is operated with the heater sensor with an excess temperature fuse (F1) only. In single-sensor mode, the sauna control unit only displays the set temperature. The actual temperature is not displayed. Should the sauna control unit display the temperature above the heater (F1) as an actual temperature in single-sensor mode, it must be activated when starting up for the first time (see **8.4. Displaying the heater temperature in single-sensor mode** on page **22**)

#### ***Two-sensor mode with bench sensor (F2)***

In two-sensor mode with bench sensor, a second temperature sensor (bench sensor) is installed above the rear sauna bench. The sauna control unit displays the temperature measured by the bench sensor as the actual temperature.

## 4. Installation

### 4.1. Installing the sauna control unit

---

#### **ATTENTION!**

##### ***Damage to the unit***

The sauna control unit is protected against jets of water, however direct contact with water could still damage the unit.

- Install the sauna control unit in a dry place at which a maximum humidity of 95 % is not exceeded.
- 

#### **ATTENTION!**

##### ***Sources of interference can have a negative effect on signal transmission***

- Lay all sensor wires separately from other mains wires and control wires.
  - Protect wires with only one layer of insulation by using a pipe (double insulation).
- 

Observe the following points when installing the sauna control unit:

- The sauna control unit must be installed outside the sauna room or in accordance with the recommendation issued by the sauna manufacturer.
- The ambient temperature must be within a range spanning -10 °C to +40 °C.
- The sensors may only be connected using the sensor wires provided with the unit, which are heat-resistant up to 150 °C.



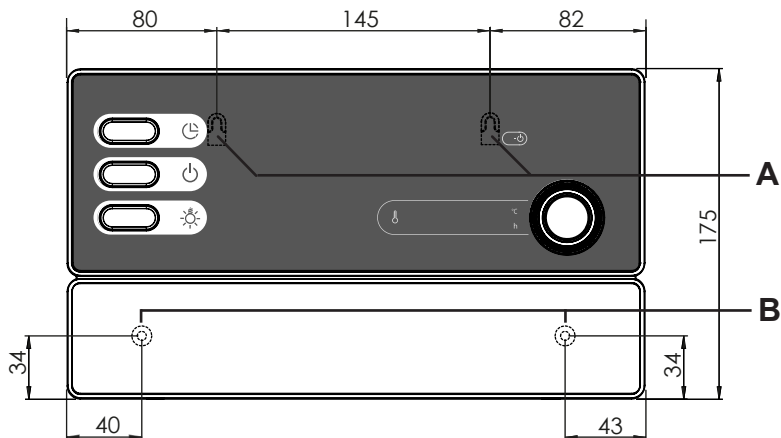
---

The sensor wires may be extended under the following conditions:

- When a silicon wire resistant to temperatures up to 150 °C is used.
  - The minimum cross-section of the wire is 0.5 mm<sup>2</sup>.
  - The length of the heater sensor wires may NOT exceed 10 m.
-

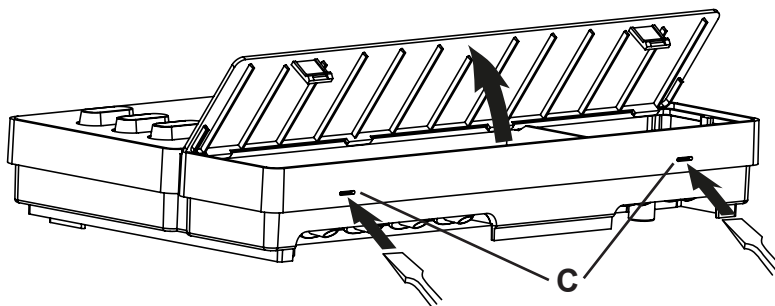
To install the sauna control unit, perform the following steps:

1. Screw two Phillips-head screws (16 mm) into the wall of the sauna at a height of approx. 1.70 m to a distance of up to 7 mm. The two screws must be placed at a distance of 145 mm from each other (see **Fig. 1**).



**Fig. 1** Position of the attachment device and the installation holes (dimensions in mm)

2. Press the clip locks **C** in lightly using a screwdriver and remove the cover from the housing (see **Fig. 2**).
3. Fasten the sauna control unit onto the Phillips-head screws using the attachment device **A** as an aid (see **Fig. 1**).
4. Screw two Phillips-head screws (16 mm) into the lower fastening holes **B** (see **Fig. 1**).



**Fig. 2** Removing the cover from the housing

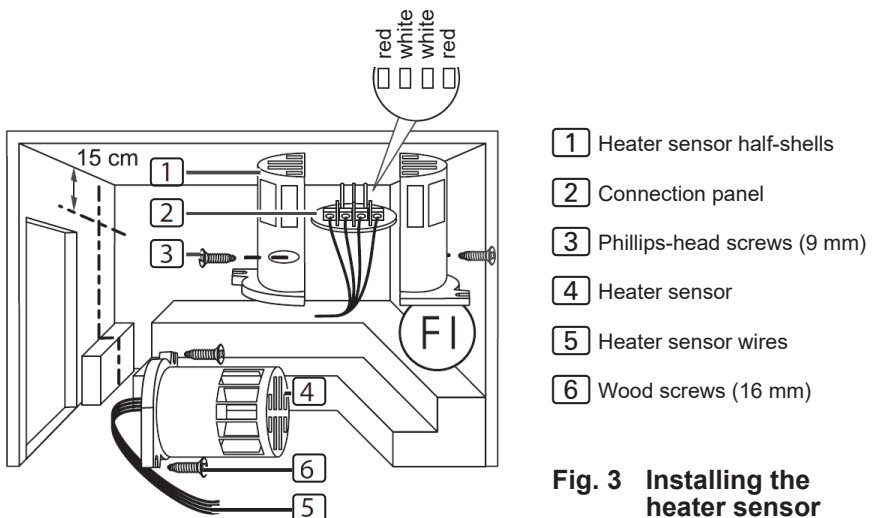
## 4.2. Installing the heater sensor F1 with excess temperature fuse

Observe the following points when installing the heater sensor:

- The heater sensor must be installed on the rear of the heater, above the middle of the sauna heater. An interval of approx. 15 cm to the roof of the sauna room must be maintained.
- The heater sensor must be attached in a way that it is not affected by a flow of air.

To install the heater sensor, perform the following steps (see **Fig. 3**):

1. Lay the two 2-pin heater sensor wires in the wall of the sauna room, leading them to the heater sensor installation location and affix the heater sensor wires using wire clips.
2. Pull the two half-shells **1** of the heater sensor apart.
3. Connect the four connectors for the heater sensor wire **5** in accordance with the **Fig. 3**.
4. Place the connection panel **2** crossways (as shown in **Fig. 3**) in the heater sensor half-shells.
5. Place the two half-shells together, screw them together using the two Phillips-head screws **3** (9 mm) and check whether the heater sensor has been securely closed.
6. Install the heater sensor on the rear of the heater using the two wood screws enclosed **6** (16 mm).



**Fig. 3** Installing the heater sensor



### 4.3. Installing bench sensor F2 (optional)

The bench sensor must be installed on the wall of the sauna room, above the rear bench seat. An interval of approx. 15 cm to the roof of the sauna room must be maintained.

To install the bench sensor, perform the following steps:

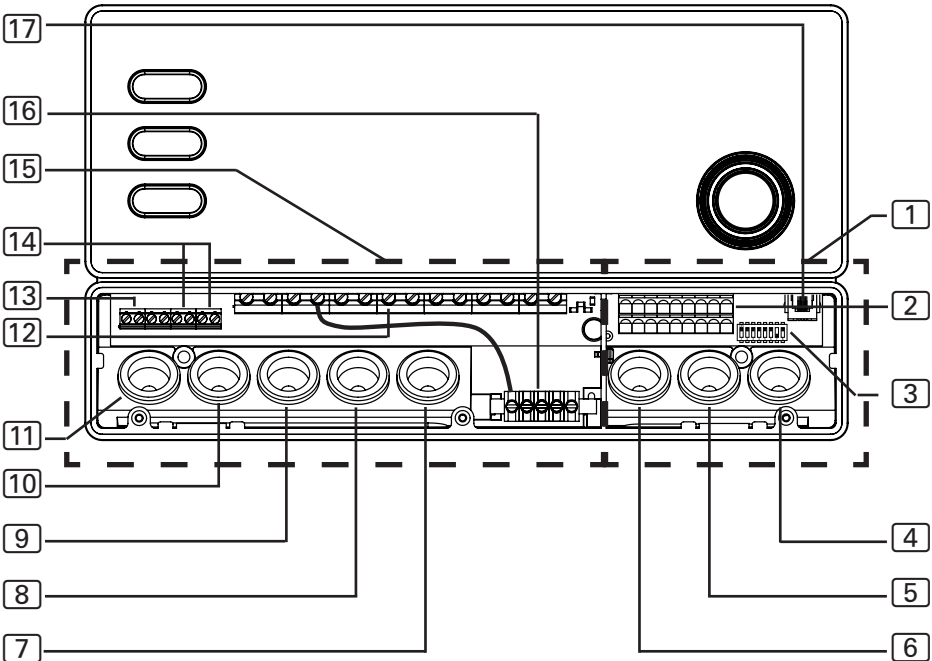
1. Lay the two 2-pin bench sensor wires in the wall of the sauna room, leading them to the bench sensor installation location and affix the bench sensor wires using wire clips.
2. Pull the two half-shells of the bench sensor apart.
3. Connect the two connectors for the bench sensor wire to the two middle terminals on the connection panel.
4. Place the connection panel crossways in the bench sensor half-shells.
5. Place the two half-shells together and screw them together using the two Phillips-head screws (9 mm).
6. Check whether the bench sensor has been securely closed.
7. Install the bench sensor on the wall of the sauna room using the two wood screws enclosed (16 mm). Maintain an interval of 15 cm to the roof of the sauna room.

## 5. Electrical connection

### ATTENTION!

#### *Damage to the unit*

- The sauna control unit may only be used for operating and controlling 3 heating circuits with a maximum heating capacity of 3.5 kW per heating circuit.



- |   |   |
|---|---|
| 1 Low-voltage connection area   | 9 Cable bushing for power supply cable              |
| 2 Terminal strips for safety shut-off device, remote start and sensor wires | 10 Cable bushing for power booster                  |
| 3 Function selection switch   | 11 Cable bushing for light                          |
| 4 Cable bushing for F2 sensor   | 12 Terminal strip for heater and power supply cable |
| 5 Cable bushing for F1 sensor   | 13 Terminal strip light                             |
| 6 Cable bushing for safety shut-off device and remote start                 | 14 Terminal strip for power booster                 |
| 7 Cable bushing (leave free)  | 15 Connection area for 230 V / 400 V                |
| 8 Cable bushing for heater wire   | 16 Earth rail                                       |
|   | 17 RJ45 socket for RS-485 and pronet                |

Observe the following points when connecting the power to the sauna control unit:

- Installation may only be performed by a qualified electrician or similarly qualified person.



Please observe that in the event of a guarantee claim, a copy of the bill from the electrician performing the work must be presented.

- Work on the sauna control unit may only be performed when the power has been disconnected.
- There must be a fixed connection for the electrical power supply.
- An all-pole disconnecting device with full cut-off compliant with overvoltage category III must be fitted on-site.
- Observe the connection diagram (**Fig. 4**) on page 20.

## 5.1. Connecting the power supply cable and heater cable

1. Guide the power supply and heater cable through the cable bushings **9** and **8** into the connection area for 230 V/400 V **15**.
2. Connect the power supply cables to the terminal strip **12** in accordance with the connection diagram. Observe the operating instructions for the respective devices.

EN

## 5.2. Connecting the light

1. Guide the light cable through the cable bushing **11** into the connection area for 230 V/400 V **15**.
2. Connect the light cable to the terminal strip **13** in accordance with the connection diagram. Observe the operating instructions for the respective device.

### 5.3. Connecting the power booster (optional)

1. Guide the cable for the power booster through the cable bushing **10** into the connection area for 230 V/400 V **16**.
2. Connect the cable for the power booster to the terminal strip **14** in accordance with the connection diagram. To do so, use terminal “**ST1**” for the safety circuit, and terminal “**ST2**” for the control circuit. Observe the operating instructions for the respective device.

### 5.4. Connecting heater sensor F1

1. Guide the wires for the heater sensor through the cable bushing **5** into the low-voltage connection area **1**.
2. Connect the red wires for the heater sensor to the terminals labelled “**STB**” in terminal strip **2**.
3. Connect the white wires for the heater sensor to the terminals labelled “**F1**” in terminal strip **2**.

### 5.5. Installing bench sensor F2 (optional)

1. Guide the wires for the bench sensor through the cable bushing **4** into the low-voltage connection area **1**.
2. Connect the wires for the bench sensor to the terminals labelled “**F2**” in terminal strip **2**.

### 5.6. Connecting the safety shut-off

EN 60335-2-53 states that sauna control units with remote control may only be used for operating and regulating a sauna heater which has satisfied the combustion test described in paragraph 19.101. Alternatively, a suitable safety shut-off device can be installed in or above the heater. This shuts the sauna heater off when objects, e.g. a towel, are placed on the sauna heater.

To install the safety shut-off device, perform the following steps:

1. Install the safety shut-off device in accordance with the operating instructions for the device.
2. Guide the wires for the safety shut-off device through the cable bushing **6** into the low-voltage connection area **1**.
3. Connect the wires to the terminals labelled “**OSG**” in terminal strip **2**.



If a safety shut-off is not installed, a jumper must be fitted at the terminals labelled “**OSG**”.

## 5.7. Remote start

This is connected using terminals “**S**” and “**B**”. “**S**” stands for sauna mode. “**B**” is a +24 V DC output. This must be activated using a switch or an actuator on terminal “**S**”.

## 5.8. Finishing installation

1. Connect the earth conductor for the power supply cable and all devices to the earth rail **16**.
2. Place the cover of the housing on the upper edge of the junction box.
3. Push the clip locks inwards lightly, and turn the cover of the housing downwards until it engages audibly.

## 6. Performing tests

The following tests must be performed by a certified electrical fitter.



### **WARNING!**

***The following tests must be performed with the power supply switched on. There is a danger of electric shock.***

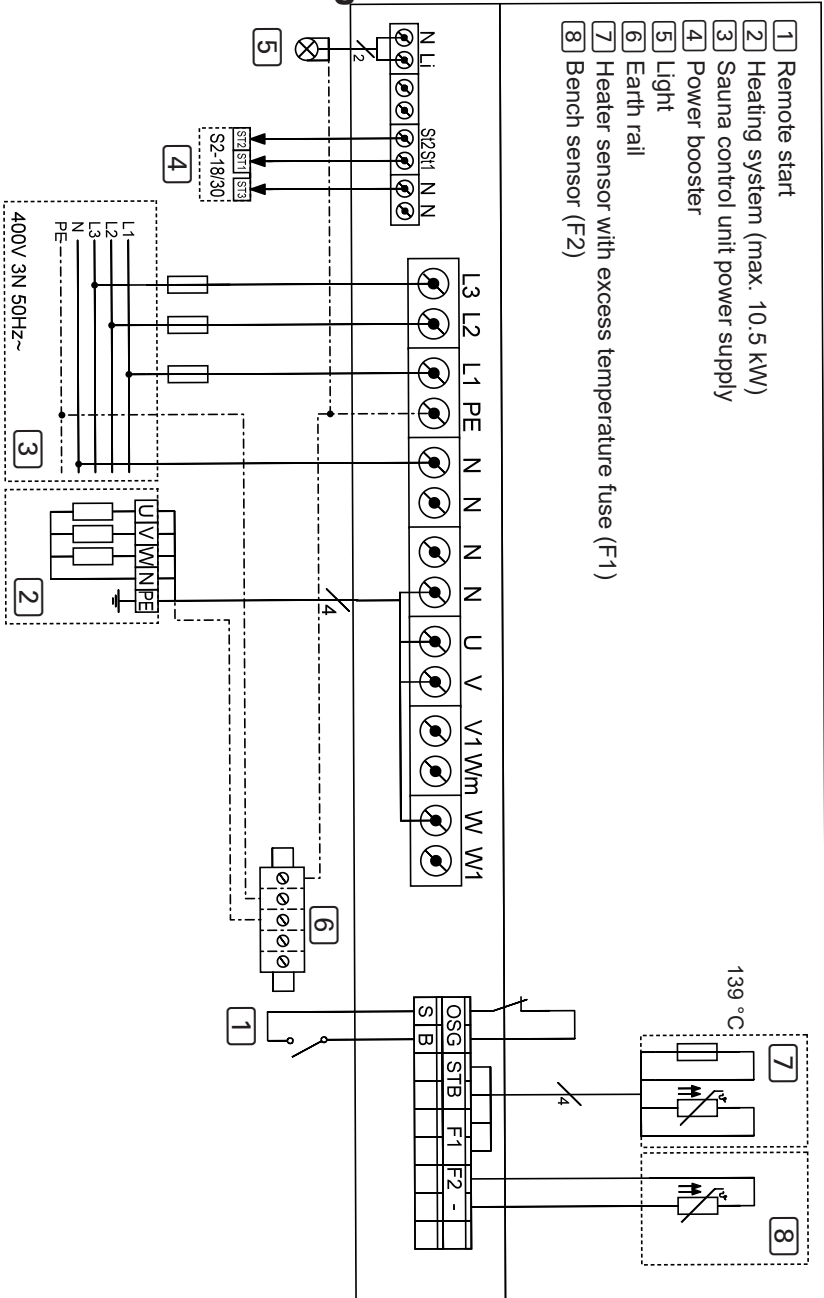
- NEVER touch live parts.
- 

1. Check the contact of the earth conductors on the earth conductor terminal.
2. Check the excess temperature fuse on the heater sensor F1.
  - a. Switch on the sauna control unit.
  - b. Open the heater sensor and disconnect one of the two red wires for the heater sensor.
    - ▶ “Err” shows in the top display, “02” shows in the bottom display, and the control unit switches off the heater.
  - c. Switch off the sauna control unit.
  - d. Reconnect the red wire for the heater sensor.
  - e. Now disconnect one of the white wires for the heater sensor.
  - f. Switch on the sauna control unit.
    - ▶ “Err” shows in the top display, “04F1” shows in the bottom display and the control unit switches off the heater.
  - g. Switch off the sauna control unit.
  - h. Reconnect the white wire for the heater sensor.
3. Check the phase circuit for sauna mode L1, L2, L3 is connected to U, V, W.
4. Check the maximum permissible heating output of 3.5 kW per phase on the sauna control unit.

5. When there is an optional power booster:
  - a. Check the control wires ST1, ST2 and ST3.
  - b. Check the maximum permissible heating output of 3 kW per phase on the power booster S2-18.
  - c. Check the maximum permissible heating output of 7 kW per phase on the power booster S2-18.

## 7. Connection diagram

**Fig. 4 Connection diagram**



- 1 Remote start
- 2 Heating system (max. 10.5 kW)
- 3 Sauna control unit power supply
- 4 Power booster
- 5 Light
- 6 Earth rail
- 7 Heater sensor with excess temperature fuse (F1)
- 8 Bench sensor (F2)



## 8. Starting-up

The function selection switch in the low-voltage connection area allows a variety of product functions to be activated. The figure at the right shows the standard setting for the function selection switch.

Note that the control unit needs to be switched off for 10 seconds after making changes so that the settings are saved.

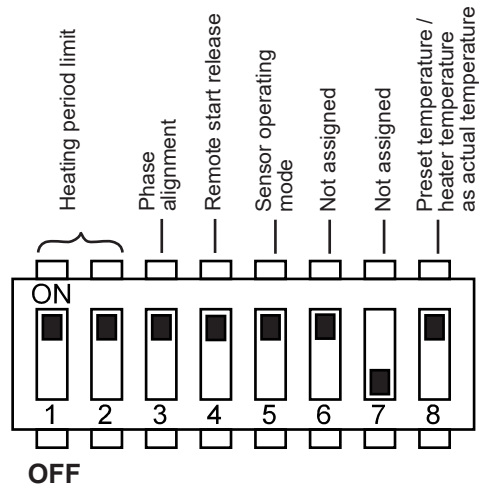


Fig. 5 Function selection switch – Standard setting

### 8.1. Setting the heating period limit

The maximum heating period is set to 6 hours as standard. The sauna control unit shuts down automatically after the maximum heating period for safety reasons.

The function selection switch in the low-voltage connection area allows the maximum heating period to be set to 12 hours, 18 hours or 24 hours. The required positions of the function selection switch can be found in the table on the right.

<i>Function selection switch</i>	1	2
6 hours	ON	ON
12 hours	OFF	ON
18 hours	ON	OFF
24 hours	OFF	OFF



The EN 60335-2-53 specifies a maximum heating period limit of 6 hours for private saunas. For saunas in hotels, apartment blocks and similar locations, a maximum heating period limit of 12 hours is permissible. Extending the heating period limit to 18 hours or 24 hours is only permitted in public saunas.

## 8.2. Activating/deactivating phase alignment

Phase alignment is activated or deactivated using the function selection switch **3**.

- The function selection switch **3** is set to the ON position as standard. Phase alignment is therefore activated.
- If you wish to deactivate phase alignment, place the function selection switch **3** in the OFF position.

## 8.3. Remote start release

Function selection switch **4** can be used to select the function of the remote start output (note EN60335-2-53).

- Function selection switch **4** is set to the ON position as standard. The remote start is operated using “Standby for remote control”.
- If you want to enable the remote start output for various devices (e.g. coin-operated unit, remote start system, door monitoring), set the function selection switch **4** in the OFF position.

## 8.4. Activating/deactivating the single-sensor mode

In single-sensor mode, the sauna control unit is operated with the heater sensor with an excess temperature fuse (F1) only. The single-sensor mode must be activated above the function selection switch **5**.

- The function selection switch **5** is set to the ON position as standard. Two-sensor mode is therefore activated.
- If you wish to deactivate single-sensor mode, place the function selection switch **5** in the OFF position.

## 8.5. Displaying the heater temperature in single-sensor mode

In single-sensor mode, the sauna control unit only displays the set temperature as standard. The actual temperature is not displayed. Should the sauna control unit display the temperature above the heater (F1) as an actual temperature in single-sensor mode, it must be activated with the function selection switch **8**.

- The function selection switch **8** is set to the ON position as standard. Therefore only the set temperature is displayed.
- Should the temperature above the heater be displayed as an actual temperature, place the function selection switch **8** in the OFF position.



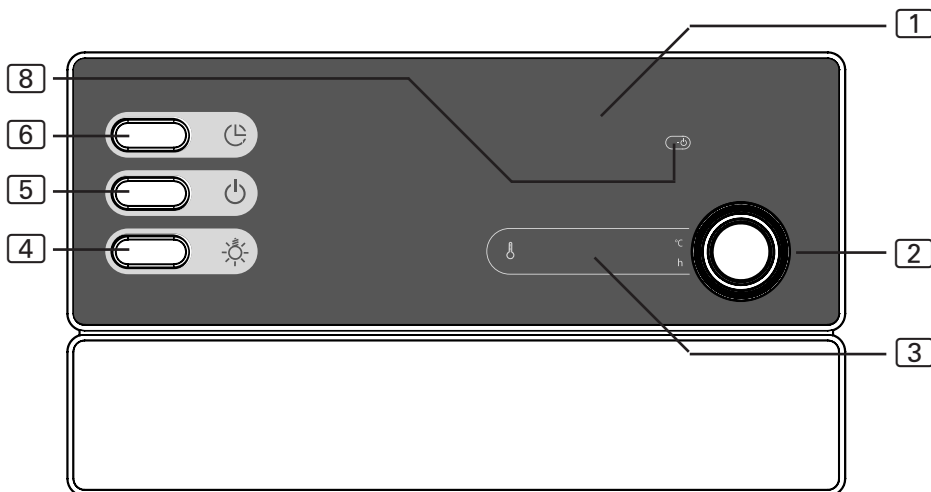
---

Ensure that the temperature above the heater is always higher than the temperature in the area of the bench seat. With the heater temperature as the actual temperature, the temperature displayed by the sauna control unit is higher than the temperature measured by your sauna room thermometer.

---

## 9. Operation

### 9.1. Operating elements



- |   |                      |   |                        |
|---|----------------------|---|------------------------|
| 1 | Additional display   | 4 | Light switch           |
| 2 | Temperature selector | 5 | ON/OFF switch          |
| 3 | Temperature display  | 6 | Preset time button     |
|   |                      | 8 | Remote start indicator |

### 9.2. Switching on the light

The light in the sauna room can be switched on and off independently of the ON/OFF switch [5].

- To switch the light on or off on the power unit, press the light switch [4].

### 9.3. Switching on the sauna control unit

**WARNING!*****Risk of fire***

Flammable objects that are placed on the sauna heater could ignite and cause fires.

- NEVER place flammable objects on the sauna heater.
- Make sure that NO flammable objects have been placed on the sauna heater before the sauna control unit is switched on.

- Press the ON/OFF switch **[5]**, to switch on the sauna control unit.
  - ▶ In the temperature display **[3]**, “0” appears for a few seconds. Then the current temperature in the sauna room is displayed. In single-sensor mode, the previously set preset temperature is displayed.

### 9.4. Starting the sauna

1. Use the temperature selector **[2]** to set the preferred temperature.
  - ▶ The temperature selector **[2]** flashes and the preset temperature is shown in the temperature display **[3]**.
2. Press the temperature selector **[2]**.
  - ▶ The sauna heater is switched on and begins to heat up.
  - ▶ Then the current temperature in the sauna room is displayed in the temperature display **[3]**. In single-sensor mode, the preset temperature is displayed.

### 9.5. Changing the preset temperature

You can change the preset temperature during operation any time.

- Turn the temperature selector **[2]** to the right to increase the temperature. Turn the temperature selector **[2]** to the left to decrease the temperature.
  - ▶ The temperature selector **[2]** flashes and the preset temperature is shown in the temperature display **[3]**.
  - ▶ Then the current temperature in the sauna room is displayed again in the temperature display **[3]**. In single-sensor mode, the preset temperature is displayed.

## 9.6. Setting the preset time



### **WARNING!**

#### ***Risk of fire***

Flammable objects that are placed on the heater will ignite and cause fires.

- NEVER place flammable objects on the sauna heater.
- Make sure that NO flammable objects have been placed on the sauna heater before you activate the preset timer function.

You can set the preset time in 15 minute intervals. The maximum preset time totals 24 hours. The preset time is shown in hours and minutes, e.g. 8 hours and 15 minutes is shown as 8.15.

1. Start the sauna heater (see point **9.4. Starting the sauna** on page **24**).
2. Press the preset time button **[6]**.
  - ▶ The temperature selector **[2]** flashes and the previously set preset time is shown in the temperature display **[3]**.
3. Press the preset time button **[6]**, to increase the preset time in 15 minute intervals.
4. Once you have reached the required preset time, wait a few seconds.
  - ▶ The sauna control unit changes to standby mode and the timer starts running.
  - ▶ The remaining preset time is shown in the temperature display **[3]**. The temperature selector **[2]** flashes.
  - ▶ Once the preset time has elapsed, the sauna heater switches on.

## 9.7. Cancelling the preset time function

- Press and hold down the preset time button **[6]** for three seconds (longpress) to cancel the preset time function.
  - ▶ The preset time countdown is cancelled.
  - ▶ Then the current temperature in the sauna room is displayed in the temperature display **[3]**. In single-sensor mode, the preset temperature is displayed.



---

The most recently selected preset time is saved, which means the last value can be recalled at the touch of a button. To reset the preset time to 00:00, press the preset time button for three seconds.

---

## 9.8. Activating standby for remote operation

EN 60335-2-53 specifies that sauna control units with a remote start function must be set manually to “Standby for remote operation” mode. This activation must take place again after each remote start and stop procedure. To do so, perform the following steps:

1. Press the temperature selector **[2]** for three seconds(longpress).
  - ▶ The remote start indicator **[8]** starts flashing.
  - ▶ The sauna control unit is then ready to be started and stopped using a remote start signal.
  - ▶ After a remote start and stop, the remote start indicator goes out and the mode has to be activated again.

## 9.9. Switching off the sauna control unit

1. Press the temperature selector **[2]**.
  - ▶ The sauna heater is switched off
2. Press the ON/OFF switch **[5]**, to switch off the sauna control unit.
  - ▶ The temperature display **[3]** goes out.
  - ▶ The sauna control unit is switched off.

## 10. Cleaning and maintenance

### 10.1. Cleaning

#### **ATTENTION!**

#### ***Damage to the unit***

The sauna control unit is protected against jets of water, however direct contact with water could still damage the unit.

- Never immerse the device in water.
- Never pour water over the device.
- Never clean the device with a cloth which is too wet.

1. Immerse a cleaning cloth in a mild, soapy solution.
2. Wring the cleaning cloth out well.
3. Wipe the sauna control unit housing carefully.

### 10.2. Maintenance

The sauna control unit is maintenance-free.

EN

## 11. Disposal



- Please dispose of packaging materials in accordance with the applicable disposal regulations.
- Used devices contain reusable materials and hazardous substances. Therefore, do not dispose of your used device with household waste, but do so in accordance with the locally applicable regulations.

## 12. Troubleshooting

### 12.1. Error messages

The sauna control unit is equipped with diagnostic software which monitors system statuses when it switches on and during operation. As soon as the diagnostic software identifies an error, the sauna control unit switches the sauna heater off.

Errors are indicated by a recurring warning tone and by flashing on the temperature selector **[3]**. Furthermore, "Err" appears in the additional display **[1]**. The error number appears in the temperature display **[3]**.

Switch the sauna control unit off using the ON/OFF switch **[5]** and rectify the error before switching the sauna control unit on again.

The following table describes the possible errors and their causes. If necessary, tell the error number to your customer service specialist.

<i>Error</i>	<i>Description</i>	<i>Cause / rectification</i>
01	Safety shut-off	An object has been placed on the sauna heater. Remove any objects before starting up the sauna heater again.  If no safety shut-off is fitted, note "5.6. Connecting the safety shut-off" on page 16.
02	Safety temperature limiter	The maximum temperature of 139 °C has been exceeded above the heater.
04F1	Heater sensor error	Defective heater sensor, poor contact, or short circuit.
06F2	Bench sensor error	Defective bench sensor, poor contact, or short circuit.

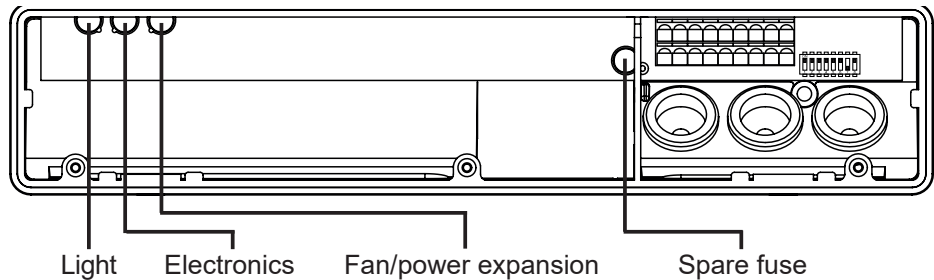


## 12.2. Fuses

Fuses for light, fan/power expansion and electronics as well as a spare fuse are located in the sauna control unit's connection area.

These are 1A time delay micro fuses.

They can be ordered using the item number PRO-FUSE.



In order to replace the fuse, pull the fuse link straight out and insert the new fuse.

## 13. Technical data

### **Ambient conditions**

Storage temperature:	-25 °C to +70 °C
Ambient temperature:	-10 °C to +40 °C
Relative humidity:	max. 95 %

### **Sauna control unit**

Dimensions:	307 x 175 x 57 mm
Switched voltage / three-phase 3N:	400 V AC
Frequency:	50 Hz
Contact rating/heater:	3 x 3.5 kW
Switched current per phase/heater:	16 A
Rated voltage:	230 V
Protection type (protected against jets of water):	IPX4
Connection to the mains supply as fixed wiring (fixed connection)	

### **Light**

Contact rating:	100 W
Fuse:	1A T

### **Setting ranges**

Temperature:	30 °C to 110 °C
--------------	-----------------

### **Thermal safety**

Heater sensor with excess temperature fuse (139 °C shut-off temperature)  
 Adjustable automatic heating period (6 h, 12 h, 18 h, 24 h)\*  
 Optional single-sensor mode or two-sensor mode

### **Connection cables**

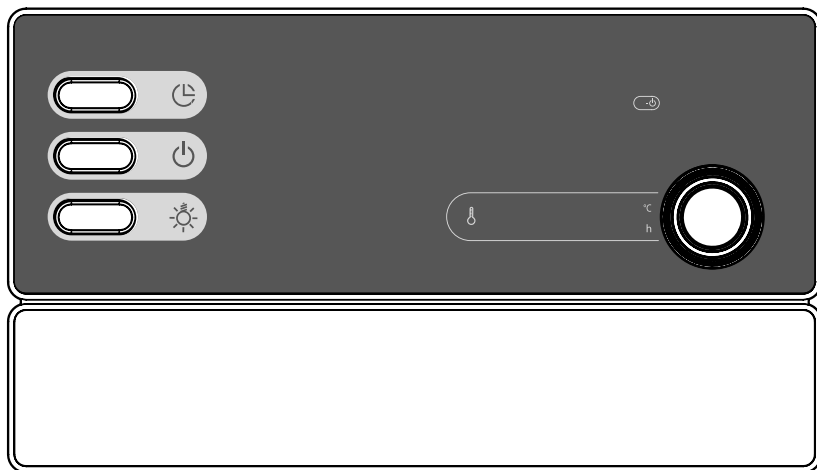
Power supply cable:	min. 5 x 2.5 mm <sup>2</sup>
Heater supply cable (temperature-resistant up to 150 °C):	min 2.5 mm <sup>2</sup>
Sensor wires (temperature-resistant up to 150 °C):	min 0.5 mm <sup>2</sup>
Light wire:	min. 1.5 mm <sup>2</sup>

\* EN 60335-2-53 specifies a heating time limitation of 6 h for saunas for private use. For saunas in hotels, apartment blocks and similar locations, a maximum heating period limit of 12 hours is permissible. Extending the heating period limit to 18 hours or 24 hours is only permitted in public saunas.

# Saunasteuerung

## PRO B2

MONTAGE- UND GEBRAUCHSANWEISUNG  
Deutsch



DE

PRO-B2 / 1-015-455

# Inhaltsverzeichnis

<b>1. Zu dieser Anleitung</b>	<b>4</b>
<b>2. Wichtige Hinweise zu Ihrer Sicherheit</b>	<b>5</b>
2.1. Bestimmungsgemäßer Gebrauch	5
2.2. Sicherheitshinweise für den Monteur	6
2.3. Sicherheitshinweise für den Anwender	7
<b>3. Produktbeschreibung</b>	<b>8</b>
3.1. Lieferumfang	8
3.2. Optionales Zubehör	8
3.3. Produktfunktionen	8
3.4. Fühler-Betriebsarten	9
<b>4. Montage</b>	<b>10</b>
4.1. Saunasteuerung montieren	10
4.2. Ofenfühler F1 mit Übertemperatur-Sicherung montieren	12
4.3. Bankfühler F2 (optional) montieren	13
<b>5. Elektrischer Anschluss</b>	<b>14</b>
5.1. Versorgungsleitung und Ofenleitung anschließen	15
5.2. Licht anschließen	15
5.3. Leistungserweiterung (optional) anschließen	16
5.4. Ofenfühler F1 anschließen	16
5.5. Bankfühler F2 (optional) anschließen	16
5.6. Sicherheitsabschaltung anschließen	16
5.7. Fernstart	17
5.8. Installation abschließen	17
<b>6. Prüfungen durchführen</b>	<b>18</b>
<b>7. Anschlussplan</b>	<b>20</b>

<b>8. Inbetriebnahme</b>	<b>21</b>
8.1. Heizzeitbegrenzung einstellen.....	21
8.2. Phasenrollierung aktivieren/deaktivieren.....	22
8.3. Fernstart-Freigabe.....	22
8.4. Ein-Fühlerbetrieb aktivieren/deaktivieren.....	22
8.5. Ofentemperatur im Ein-Fühlerbetrieb anzeigen.....	22
<b>9. Bedienung</b>	<b>23</b>
9.1. Bedienelemente.....	23
9.2. Licht einschalten.....	23
9.3. Saunasteuerung einschalten.....	24
9.4. Sauna starten.....	24
9.5. Soll-Temperatur ändern.....	24
9.6. Vorwahlzeit einstellen.....	25
9.7. Vorwahlzeitfunktion abrechen.....	26
9.8. Standby für Fernwirken aktivieren.....	26
9.9. Saunasteuerung ausschalten.....	26
<b>10.Reinigung und Wartung</b>	<b>27</b>
10.1. Reinigung.....	27
10.2. Wartung.....	27
<b>11.Entsorgung</b>	<b>27</b>
<b>12.Problemlösung</b>	<b>28</b>
12.1. Fehlermeldungen.....	28
12.2. Sicherungen.....	29
<b>13.Technische Daten</b>	<b>30</b>

## 1. Zu dieser Anleitung

Lesen Sie diese Montage- und Gebrauchsanweisung gut durch und bewahren Sie sie in der Nähe der Saunasteuerung auf. So können Sie jederzeit Informationen zu Ihrer Sicherheit und zur Bedienung nachlesen.



Sie finden diese Montage- und Gebrauchsanweisung auch im Downloadbereich unserer Webseite auf [www.sentiotec.com/downloads](http://www.sentiotec.com/downloads).

### ***Symbole in Warnhinweisen***

In dieser Montage- und Gebrauchsanweisung ist vor Tätigkeiten, von denen eine Gefahr ausgeht, ein Warnhinweis angebracht. Befolgen Sie diese Warnhinweise unbedingt. So vermeiden Sie Sachschäden und Verletzungen, die im schlimmsten Fall sogar tödlich sein können.

In den Warnhinweisen werden Signalwörter verwendet, die folgende Bedeutungen haben:



#### **GEFAHR!**

Wenn Sie diesen Warnhinweis nicht beachten, sind Tod oder schwere Verletzungen die Folge.



#### **WARNUNG!**

Wenn Sie diesen Warnhinweis nicht beachten, können Tod oder schwere Verletzungen die Folge sein.



#### **VORSICHT!**

Wenn Sie diesen Warnhinweis nicht befolgen, können leichte Verletzungen die Folge sein.

#### **ACHTUNG!**

Dieses Signalwort warnt Sie vor Sachschäden.

### ***Andere Symbole***



Dieses Symbol kennzeichnet Tipps und nützliche Hinweise.

## 2. Wichtige Hinweise zu Ihrer Sicherheit

Die Saunasteuerung Pro B2 ist nach anerkannten sicherheitstechnischen Regeln gebaut. Dennoch können bei der Verwendung Gefahren entstehen. Befolgen Sie deshalb die folgenden Sicherheitshinweise und die speziellen Warnhinweise in den einzelnen Kapiteln. Beachten Sie auch die Sicherheitshinweise der angeschlossenen Geräte.

### 2.1. Bestimmungsgemäßer Gebrauch

Die Saunasteuerung Pro B2 dient ausschließlich zum Steuern und Regeln der Funktionen gemäß den technischen Daten.

Die Saunasteuerung Pro B2 darf nur zum Steuern und Regeln eines Saunaofens, der die Abdeckprüfung nach Absatz 19.101 der EN 60335-2-53 besteht, verwendet werden. Erfüllt der Ofen diese Voraussetzung nicht, muss eine entsprechende Sicherheitsvorkehrung getroffen werden (z. Bsp.: Sicherheitsabschaltung siehe **5.6** auf Seite **16**).

Die Saunasteuerung Pro B2 darf nur zum Steuern und Regeln von 3 Heizkreisen mit maximal 3,5 kW Heizleistung pro Heizkreis eingesetzt werden.

Jeder darüber hinausgehende Gebrauch gilt als nicht bestimmungsgemäß. Nicht bestimmungsgemäßer Gebrauch kann zur Beschädigung des Produkts, zu schweren Verletzungen oder Tod führen.

## 2.2. Sicherheitshinweise für den Monteur

- Die Montage darf nur durch eine Elektrofachkraft oder eine vergleichsweise qualifizierte Person ausgeführt werden.
- Arbeiten an der Saunasteuerung dürfen nur im spannungsfreien Zustand durchgeführt werden.
- Es ist bauseits eine allpolige Trennvorrichtung mit voller Abschaltung entsprechend der Überspannungskategorie III vorzusehen.
- Die Saunasteuerung ist außerhalb der Saunakabine in ca. 1,70 m Höhe oder gemäß den Empfehlungen des Kabinenherstellers zu montieren. Die Umgebungstemperatur muss im Bereich von -10 °C und 40 °C liegen.
- Der Ofenfühler ist so anzubringen, dass er nicht durch einströmende Luft beeinflusst wird.
- Die Ofen-Zuleitung muss einen Querschnitt von mindestens 2,5 mm<sup>2</sup> aufweisen und bis 150 °C temperaturbeständig sein.
- Beachten Sie auch die örtlichen Bestimmungen am Aufstellort.
- Bei Problemen, die in den Montageanweisungen nicht ausführlich genug behandelt werden, wenden Sie sich zu Ihrer eigenen Sicherheit an Ihren Lieferanten.



### 2.3. Sicherheitshinweise für den Anwender

- Die Saunasteuerung darf nicht von Kindern unter 8 Jahren verwendet werden.
- Die Saunasteuerung darf von Kindern über 8 Jahren, von Personen mit verringerten psychischen, sensorischen oder mentalen Fähigkeiten und von Personen mit Mangel an Erfahrung und Wissen unter folgenden Bedingungen verwendet werden:
  - wenn sie beaufsichtigt werden
  - wenn ihnen die sichere Verwendung gezeigt wurde und sie die Gefahren, die entstehen können, verstehen.
- Kinder dürfen nicht mit der Saunasteuerung spielen.
- Kinder unter 14 Jahren dürfen die Saunasteuerung nur reinigen, wenn sie beaufsichtigt werden.
- Wenn Sie unter dem Einfluss von Alkohol, Medikamenten oder Drogen stehen, verzichten Sie aus gesundheitlichen Gründen auf das Saunabad.
- Stellen Sie sicher, dass keine brennbaren Gegenstände auf dem Saunaofen liegen, bevor Sie die Saunasteuerung einschalten.
- Stellen Sie sicher, dass keine brennbaren Gegenstände auf dem Saunaofen liegen, bevor Sie die Vorwahlzeitfunktion oder den Standby-Modus für den Fernstart aktivieren.
- Bei Problemen, die in der Gebrauchsanweisung nicht ausführlich genug behandelt werden, wenden Sie sich zu Ihrer eigenen Sicherheit an Ihren Lieferanten.

## 3. Produktbeschreibung

### 3.1. Lieferumfang

- Saunasteuerung
- Ofenfühler mit integrierter Übertemperatur-Sicherung
- Fühlerleitungen
- Montagematerial

### 3.2. Optionales Zubehör

- Bankfühler (Artikelnummer: O-F2)
- Leistungserweiterung (Artikelnummer: O-S2-18 / O-S2-30)
- Sicherheitsabschaltung (Artikelnummer: SFE-xxxxx)
- Webserver pronet (Artikelnummer: PRO-NET)

### 3.3. Produktfunktionen

Die Saunasteuerung Pro B2 verfügt über folgende Funktionen:

- Regeln von Saunaöfen mit einer Heizleistung bis 10,5 kW im Temperaturbereich von 30 °C bis 110 °C.
- Mit einer Leistungserweiterung kann die maximale Schaltleistung von 10,5 kW auf 18 kW oder 30 kW erhöht werden.
- Fernstartfunktion
- Vorwahlzeitfunktion (bis 24 Stunden)
- Automatische Heizzeitbegrenzung  
Die Saunasteuerung schaltet sich nach Ablauf der maximalen Heizzeit aus Sicherheitsgründen automatisch ab. Die maximale Heizzeit kann auf 6 h, 12 h, 18 h oder 24 h eingestellt werden.
- Übertemperatur-Sicherung  
Die Übertemperatur-Sicherung befindet sich im Fühlergehäuse des Ofenfühlers. Wenn der Saunaofen durch einen Defekt nach Erreichen der Wunschttemperatur weiterheizt, schaltet die Übertemperatur-Sicherung bei ca. 139 °C den Saunaofen automatisch ab.

### 3.4. Fühler-Betriebsarten

Die Saunasteuerung kann mit einem oder mit zwei Temperaturfühlern betrieben werden.

#### ***Ein-Fühlerbetrieb (F1)***

Der Ein-Fühlerbetrieb muss bei der Inbetriebnahme aktiviert werden (siehe **8.3. Ein-Fühlerbetrieb aktivieren/deaktivieren** auf Seite **22**).

Im Ein-Fühlerbetrieb wird die Saunasteuerung nur mit dem Ofenfühler mit Über-temperatursicherung (F1-Fühler) betrieben. Im Ein-Fühlerbetrieb zeigt die Saunasteuerung nur die Soll-Temperatur an. Die Ist-Temperatur wird nicht angezeigt. Wenn die Saunasteuerung im Ein-Fühlerbetrieb die Temperatur über dem Ofen (F1-Fühler) als Ist-Temperatur anzeigen soll, muss dies bei der Inbetriebnahme aktiviert werden (siehe **8.4. Ofentemperatur im Ein-Fühlerbetrieb anzeigen** auf Seite **22**).

#### ***Zwei-Fühlerbetrieb mit Bankfühler (F2)***

Im Zwei-Fühlerbetrieb mit Bankfühler wird ein zweiter Temperaturfühler (Bankfühler) oberhalb der hinteren Saunabank montiert. Die Saunasteuerung zeigt als Ist-Temperatur jene Temperatur an, die vom Bankfühler gemessen wird.

## 4. Montage

### 4.1. Saunasteuerung montieren

---

**ACHTUNG!****Schäden am Gerät**

Die Saunasteuerung ist spritzwassergeschützt, trotzdem kann direkter Kontakt mit Wasser das Gerät beschädigen.

- Montieren Sie die Saunasteuerung an einem trockenen Ort, an dem eine maximale Luftfeuchte von 95% nicht überschritten wird.

---

**ACHTUNG!****Störquellen beeinträchtigen die Signalübertragung**

- Verlegen Sie alle Fühlerleitungen getrennt zu anderen Netzleitungen und Steuerleitungen.
- Schützen Sie einfach isolierte Leitungen durch ein Rohr (Doppelisolation).

Beachten Sie bei der Montage der Saunasteuerung folgende Punkte:

- Die Saunasteuerung ist außerhalb der Saunakabine oder gemäß den Empfehlungen des Kabinenherstellers zu montieren.
- Die Umgebungstemperatur muss im Bereich von -10 °C und +40 °C liegen.
- Alle Fühler dürfen nur mit den beiliegenden Fühlerleitungen, die bis 150 °C temperaturbeständig sind, angeschlossen werden.

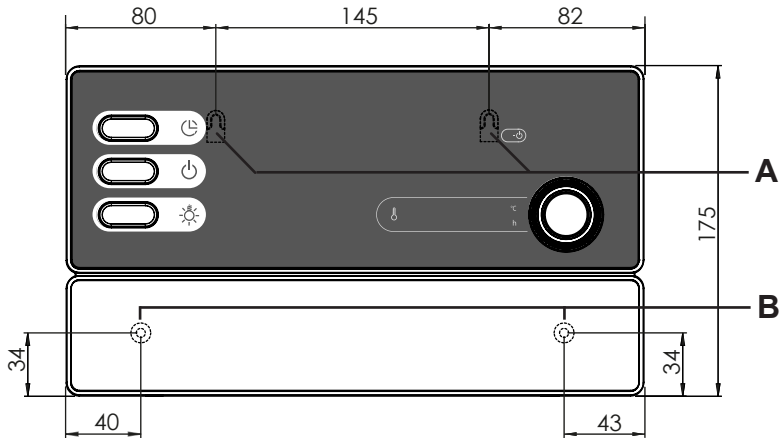


Die Fühlerleitungen dürfen unter folgenden Bedingungen verlängert werden:

- Verwendung einer bis 150 °C beständigen Silikonleitung.
  - Der Mindestquerschnitt der Leitung beträgt 0,5 mm<sup>2</sup>.
  - Die Länge der Ofenfühler-Leitungen darf 10 m NICHT überschreiten.
-

Zur Montage der Saunasteuerung führen Sie folgende Schritte durch:

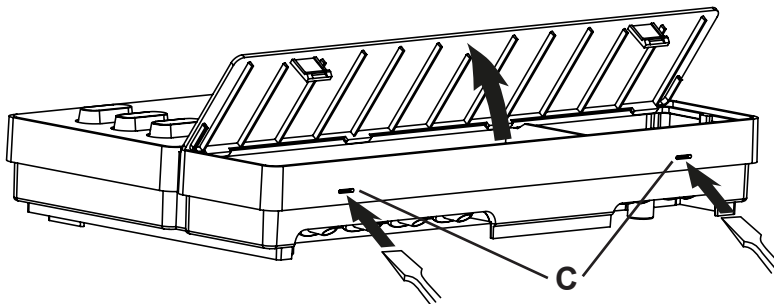
1. Drehen Sie zwei Kreuzschlitzschrauben (16 mm) in ca. 1,70 m Höhe bis zu einem Abstand von 7 mm in die Saunawand ein. Die beiden Schrauben müssen einen Abstand von 145 mm zueinander haben (siehe **Abb.1**).



**Abb.1** Position der Aufhängevorrichtung und der Montageöffnungen (Maße in mm)

DE

2. Drücken Sie die Schnappverschlüsse **C** mit einem Schraubendreher leicht ein und nehmen Sie den Gehäusedeckel ab (siehe **Abb.2**).
3. Hängen Sie die Saunasteuerung mit Hilfe der Aufhängevorrichtung **A** auf die montierten Kreuzschlitzschrauben (siehe **Abb.1**).
4. Drehen Sie zwei Kreuzschlitzschrauben (16 mm) in die unteren Befestigungsöffnungen **B** ein (siehe **Abb.1**).



**Abb.2** Abnahme des Gehäusedeckels

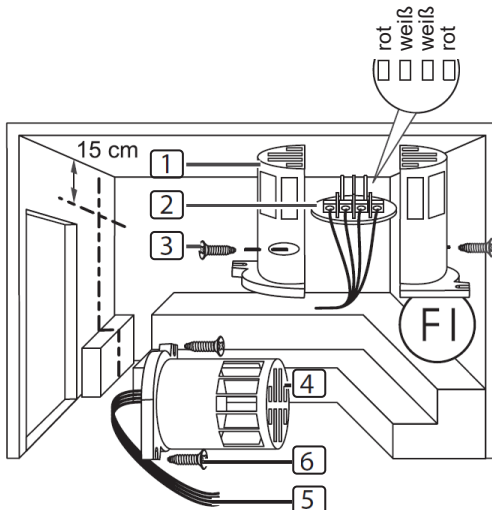
## 4.2. Ofenfühler F1 mit Übertemperatur-Sicherung montieren

Beachten Sie bei der Montage des Ofenfühlers folgende Punkte:

- Der Ofenfühler ist an der Ofen-Rückwand oberhalb der Mitte des Saunaofens zu montieren. Dabei ist ein Abstand von zirka 15 cm zur Kabinendecke einzuhalten.
- Der Ofenfühler ist so anzubringen, dass er nicht durch einströmende Luft beeinflusst wird.

Zur Montage des Ofenfühlers führen Sie folgende Schritte durch (siehe **Abb.3**):

1. Verlegen Sie die beiden 2-poligen Ofenfühler-Leitungen in der Wand der Saunakabine zum Montageort des Ofenfühlers und fixieren Sie die Ofenfühler-Leitungen mit Leitungsschellen.
2. Ziehen Sie die beiden Halbschalen **1** des Ofenfühlers auseinander.
3. Klemmen Sie die vier Anschlüsse der Ofenfühler-Leitung **5** gemäß der **Abb.3** an.
4. Legen Sie die Anschlussplatte **2** quer (wie in **Abb.3** gezeigt) in die Halbschalen des Ofenfühlers.
5. Schließen Sie die Halbschalen, verschrauben Sie diese mit den beiden Kreuzschlitzschrauben **3** (9 mm) und prüfen Sie, ob der Ofenfühler fest geschlossen ist.
6. Montieren Sie den Ofenfühler an der Ofen-Rückwand mit den beiden beiliegenden Holzschrauben **6** (16 mm).



- 1** Halbschalen des Ofenfühlers
- 2** Anschlussplatte
- 3** Kreuzschlitzschrauben (9 mm)
- 4** Ofenfühler
- 5** Ofenfühler-Leitungen
- 6** Holzschrauben (16 mm)

**Abb.3 Montage des Ofenfühlers**

### 4.3. Bankfühler F2 (optional) montieren

Der Bankfühler ist an der Kabinenwand oberhalb der hinteren Sitzbank zu montieren. Dabei ist ein Abstand von zirka 15 cm zur Kabinendecke einzuhalten.

Zur Montage des Bankfühlers führen Sie folgende Schritte durch:

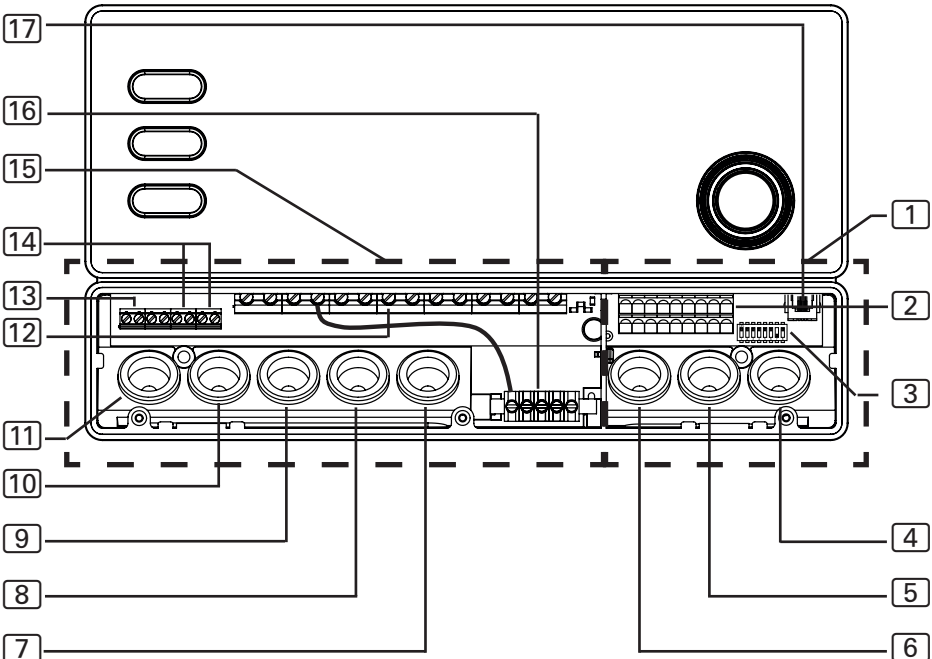
1. Verlegen Sie die 2-polige Bankfühler-Leitung in der Wand der Saunakabine zum Montageort des Bankfühlers und fixieren Sie die Bankfühler-Leitungen mit Leitungsschellen.
2. Ziehen Sie die beiden Halbschalen des Bankfühlers auseinander.
3. Klemmen Sie die beiden Anschlüsse der Bankfühler-Leitung an die beiden mittleren Klemmen der Anschlussplatte an.
4. Legen Sie die Anschlussplatte quer in die Halbschalen des Bankfühlers.
5. Schließen Sie die Halbschalen und verschrauben Sie diese mit den beiden Kreuzschlitzschrauben (9 mm).
6. Prüfen Sie, ob der Bankfühler fest geschlossen ist.
7. Montieren Sie den Bankfühler an der Kabinenwand mit den beiden beiliegenden Holzschrauben (16 mm). Halten Sie dabei einen Abstand von 15 cm zur Kabinendecke ein.

## 5. Elektrischer Anschluss

### ACHTUNG!

#### Schäden am Gerät

- Die Saunasteuerung darf nur zum Steuern und Regeln von 3 Heizkreisen mit einer Heizleistung von max. 3,5 kW pro Heizkreis eingesetzt werden.



- |   |   |
|---|---|
| 1 Anschlussbereich für Kleinspannung                                    | 9 Kabeldurchführung für Versorgungsleitung      |
| 2 Klemmleiste für Sicherheitsabschaltung, Fernstart und Fühlerleitungen | 10 Kabeldurchführung für Leistungserweiterung   |
| 3 Funktionswahlschalter   | 11 Kabeldurchführung für Licht                  |
| 4 Kabeldurchführung für F2-Fühler                                       | 12 Klemmleiste für Ofen- und Versorgungsleitung |
| 5 Kabeldurchführung für F1-Fühler                                       | 13 Klemmleiste für Licht                        |
| 6 Kabeldurchführung für Sicherheitsabschaltung und Fernstart            | 14 Klemmleiste für Leistungserweiterung         |
| 7 Kabeldurchführung (bleibt frei)                                       | 15 Anschlussbereich für 230 V / 400 V           |
| 8 Kabeldurchführung für Ofenleitung                                     | 16 Erdungsschiene                               |
|   | 17 RJ45-Buchse für RS-485 und pronet            |



Beachten Sie beim elektrischen Anschluss der Saunasteuerung folgende Punkte:

- Die Montage darf nur durch eine Elektrofachkraft oder eine vergleichsweise qualifizierte Person ausgeführt werden.



Bitte beachten Sie, dass im Falle eines Garantieanspruches eine Kopie der Rechnung des ausführenden Elektrofachbetriebes vorzulegen ist.

- Arbeiten an der Saunasteuerung dürfen nur im spannungsfreien Zustand durchgeführt werden.
- Die elektrische Versorgung muss als Festanschluss erfolgen.
- Es ist bauseits eine allpolige Trennvorrichtung mit voller Abschaltung entsprechend der Überspannungskategorie III vorzusehen.
- Beachten Sie den Anschlussplan (**Abb.4**) auf Seite **20**.

## 5.1. Versorgungsleitung und Ofenleitung anschließen

1. Führen Sie die Versorgungs- und die Ofenleitung durch die Kabeldurchführungen **9** und **8** in den Anschlussbereich für 230 V / 400 V **15**.
2. Schließen Sie die Anschlussleitungen gemäß dem Anschlussplan an die Klemmleiste **12** an. Beachten Sie dabei die Bedienungsanleitung der jeweiligen Geräte.

DE

## 5.2. Licht anschließen

1. Führen Sie die Lichtleitung durch die Kabeldurchführung **11** in den Anschlussbereich für 230 V / 400 V **15**.
2. Schließen Sie die Lichtleitung gemäß dem Anschlussplan an die Klemmleiste **13** an. Beachten Sie dabei die Bedienungsanleitung des jeweiligen Geräts.

### 5.3. Leistungserweiterung (optional) anschließen

1. Führen Sie die Leitung der Leistungserweiterung durch die Kabeldurchführung **10** in den Anschlussbereich für 230 V / 400 V **15**.
2. Schließen Sie die Leitung der Leistungserweiterung gemäß dem Anschlussplan an die Klemmleiste **14** an. Verwenden Sie dabei die Klemme "ST1" für den Sicherheitskreis und die Klemme "ST2" für den Steuerkreis. Beachten Sie die Bedienungsanleitung des jeweiligen Geräts.

### 5.4. Ofenfühler F1 anschließen

1. Führen Sie die Ofenfühler-Leitungen durch die Kabeldurchführung **5** in den Anschlussbereich für Kleinspannung **1**.
2. Schließen Sie die roten Ofenfühler-Leitungen an die Klemmen mit der Beschriftung "STB" in der Klemmleiste **2** an.
3. Schließen Sie die weißen Ofenfühler-Leitungen an die Klemmen mit der Beschriftung "F1" in der Klemmleiste **2** an.

### 5.5. Bankfühler F2 (optional) anschließen

1. Führen Sie die Bankfühler-Leitungen durch die Kabeldurchführung **4** in den Anschlussbereich für Kleinspannung **1**.
2. Schließen Sie die Bankfühler-Leitungen an die Klemmen mit der Beschriftung "F2" in der Klemmleiste **2** an.

### 5.6. Sicherheitsabschaltung anschließen

Laut EN 60335-2-53 dürfen Saunasteuerungen mit Fernwirken nur zum Steuern und Reglen eines Saunaofens, der die Abdeckprüfung nach Absatz 19.101 besteht, verwendet werden. Alternativ kann eine entsprechende Sicherheitsabschaltung im oder über dem Ofen installiert werden. Diese schaltet den Saunaofen ab, wenn Gegenstände, z.B. ein Handtuch, auf dem Saunaofen abgelegt werden.

Zur Montage der Sicherheitsabschaltung führen Sie folgende Schritte durch:

1. Montieren Sie die Sicherheitsabschaltung entsprechend der Bedienungsanleitung des Geräts.
2. Führen Sie die Leitungen der Sicherheitsabschaltung durch die Kabeldurchführung **[6]** in den Anschlussbereich für Kleinspannung **[1]**.
3. Schließen Sie die Leitungen an die Klemmen mit der Beschriftung **"OSG"** in der Klemmleiste **[2]** an.



Wird keine Sicherheitsabschaltung montiert, muss eine Drahtbrücke an den Klemmen mit der Beschriftung „**OSG**“ montiert werden.

## 5.7. Fernstart

Der Anschluss erfolgt über die Klemmen **"S"** und **"B"**. **"S"** steht für den Sauna-Betrieb. **"B"** ist ein +24 V DC Ausgang. Dieser muss über einen Schalter oder einen Aktuator auf die Klemme **"S"** geschaltet werden.

## 5.8. Installation abschließen

1. Schließen Sie die Schutzleiter der Versorgungsleitung und aller Geräte an die Erdungsschiene **[16]** an.
2. Setzen Sie den Gehäusedeckel an den oberen Rand der Anschlussbox.
3. Drücken Sie die Schnappverschlüsse leicht nach innen und schwenken Sie die Gehäuseabdeckung nach unten bis sie hörbar einrastet.

## 6. Prüfungen durchführen

Die folgenden Prüfungen müssen von einem zugelassenen Elektroinstallateur durchgeführt werden.



### **WARNUNG!**

**Die folgenden Prüfungen werden bei eingeschalteter Stromversorgung durchgeführt. Es besteht die Gefahr eines Stromschlages.**

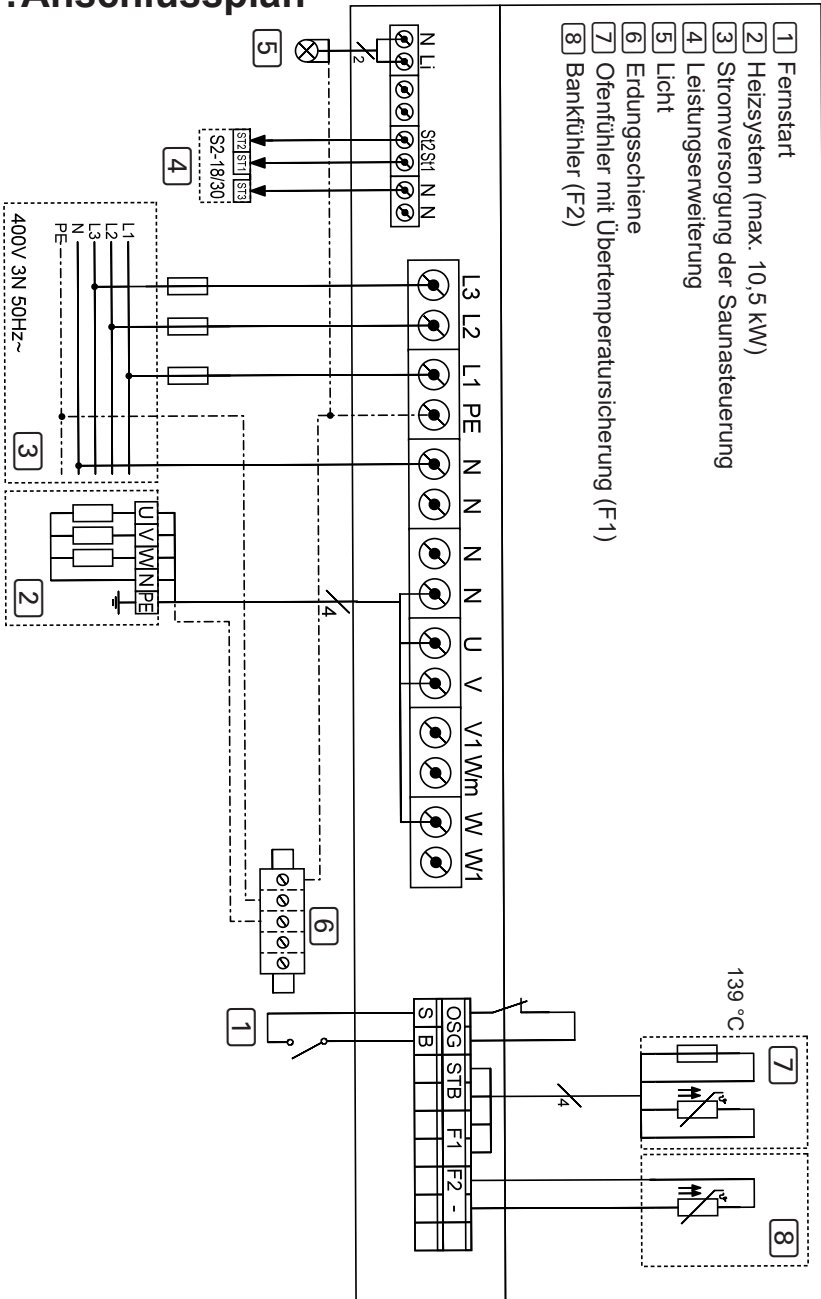
- Berühren Sie NIEMALS spannungsführende Teile.
- 

1. Prüfen Sie den Kontakt der Erdungsleitungen an der Schutzleiterklemme.
2. Prüfen Sie die Übertemperatur-Sicherung des Ofenfühlers F1.
  - a. Schalten Sie die Saunasteuerung ein.
  - b. Öffnen Sie den Ofenfühler und klemmen Sie eine der beiden roten Ofenfühler-Leitungen ab.
    - ▶ Im oberen Display wird "Err" angezeigt, im unteren Display "02" und die Steuerung schaltet den Ofen ab.
  - c. Schalten Sie die Saunasteuerung aus.
  - d. Klemmen Sie die rote Ofenfühler-Leitung wieder an.
  - e. Klemmen Sie nun eine der weißen Ofenfühler-Leitungen ab.
  - f. Schalten Sie die Saunasteuerung ein.
    - ▶ Im oberen Display wird "Err" angezeigt, im unteren Display "04F1" und die Steuerung schaltet den Ofen ab.
  - g. Schalten Sie die Saunasteuerung aus.
  - h. Klemmen Sie die weiße Ofenfühler-Leitung wieder an.
3. Prüfen Sie die Phasendurchschaltung für den Sauna-Betrieb L1, L2, L3 zu U, V, W.
4. Überprüfen Sie die maximal zulässige Heizleistung an der Saunasteuerung von 3,5 kW je Phase.

5. Bei optionaler Leistungserweiterung
  - a. Prüfen Sie die Steuerleitungen ST1, ST2 und ST3.
  - b. Überprüfen Sie die maximal zulässige Heizleistung an der Leistungserweiterung S2-18 von 3 kW je Phase.
  - c. Überprüfen Sie die maximal zulässige Heizleistung an der Leistungserweiterung S2-30 von 7 kW je Phase.

# 7. Anschlussplan

Abb.4 Anschlussplan



- 1 Fernstart
- 2 Heizsystem (max. 10,5 kW)
- 3 Stromversorgung der Saunasteuerung
- 4 Leistungserweiterung
- 5 Licht
- 6 Erdungsschiene
- 7 Ofenfühler mit Übertemperatursicherung (F1)
- 8 Bankfühler (F2)

## 8. Inbetriebnahme

Über die Funktionswahlschalter im Anschlussbereich für Kleinspannung können verschiedene Produktfunktionen aktiviert werden. Die Abbildung rechts zeigt die Standardeinstellung der Funktionswahlschalter.

Beachten Sie, dass nach Änderungen die Steuerung für 10 Sek. ausgeschaltet werden muss, um die Einstellungen zu speichern.

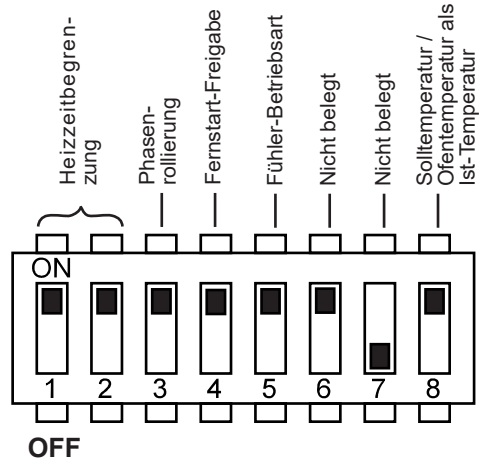


Abb.5 Funktionswahlschalter - Standardeinstellung

### 8.1. Heizezeitbegrenzung einstellen

Die maximale Heizezeit ist standardmäßig auf 6 h eingestellt. Die Saunasteuerung schaltet sich nach Ablauf der maximalen Heizezeit aus Sicherheitsgründen automatisch ab.

Über die Funktionswahlschalter im Anschlussbereich für Kleinspannung kann die maximale Heizdauer auf 12 h, 18 h oder 24 h eingestellt werden. Die dafür erforderlichen Positionen der Funktionswahlschalter finden Sie in der Tabelle rechts.

<i>Funktionswahlschalter</i>	1	2
6 h	ON	ON
12 h	OFF	ON
18 h	ON	OFF
24 h	OFF	OFF

DE



Die EN 60335-2-53 schreibt für private Saunen eine maximale Heizezeitbegrenzung von 6 h vor. Für Saunen in Hotels, Wohnblöcken und ähnlichen Standorten ist eine Heizezeitbegrenzung von maximal 12 h zulässig. Die Erweiterung der Heizezeitbegrenzung auf 18 h oder 24 h ist nur in öffentlichen Saunen gestattet.

## 8.2. Phasenrollierung aktivieren/deaktivieren

Die Phasenrollierung wird mit dem Funktionswahlschalter **3** aktiviert bzw. deaktiviert.

- Standardmäßig befindet sich der Funktionswahlschalter **3** in ON-Position. Die Phasenrollierung ist damit aktiviert.
- Wenn Sie die Phasenrollierung deaktivieren möchten, bringen Sie den Funktionswahlschalter **3** in die OFF-Position.

## 8.3. Fernstart-Freigabe

Mit dem Funktionswahlschalter **4** kann die Funktion des Fernstart-Ausganges ausgewählt werden (beachten Sie EN60335-2-53).

- Standardmäßig befindet sich der Funktionswahlschalter **4** in ON-Position. Der Fernstart wird mittels „Standby für Fernwirken“ aktiviert.
- Wenn Sie den Fernstart-Ausgang für div. Geräte (wie z.B. Münzer, Fernstart-System, Türüberwachung) freischalten möchten, bringen Sie den Funktionswahlschalter **4** in OFF-Position.

## 8.4. Ein-Fühlerbetrieb aktivieren/deaktivieren

Im Ein-Fühlerbetrieb wird die Saunasteuerung nur mit dem Ofenfühler mit Über-temperatur-Sicherung (F1-Fühler) betrieben. Der Ein-Fühlerbetrieb muss über den Funktionswahlschalter **5** aktiviert werden.

- Standardmäßig befindet sich der Funktionswahlschalter **5** in ON-Position. Der Zwei-Fühlerbetrieb ist damit aktiviert.
- Wenn Sie den Ein-Fühlerbetrieb aktivieren möchten, bringen Sie den Funktionswahlschalter **5** in die OFF-Position.

## 8.5. Ofentemperatur im Ein-Fühlerbetrieb anzeigen

Im Ein-Fühlerbetrieb zeigt die Saunasteuerung standardmäßig nur die Soll-Temperatur an. Die Ist-Temperatur wird nicht angezeigt. Wenn die Saunasteuerung im Ein-Fühlerbetrieb die Temperatur über dem Ofen (F1-Fühler) als Ist-Temperatur anzeigen soll, muss dies mit dem Funktionswahlschalter **8** aktiviert werden.

- Standardmäßig befindet sich der Funktionswahlschalter **8** in ON-Position. Damit wird nur die Solltemperatur angezeigt.
- Wenn die Temperatur über dem Ofen als Ist-Temperatur angezeigt werden soll, bringen Sie den Funktionswahlschalter **8** in die OFF-Position.

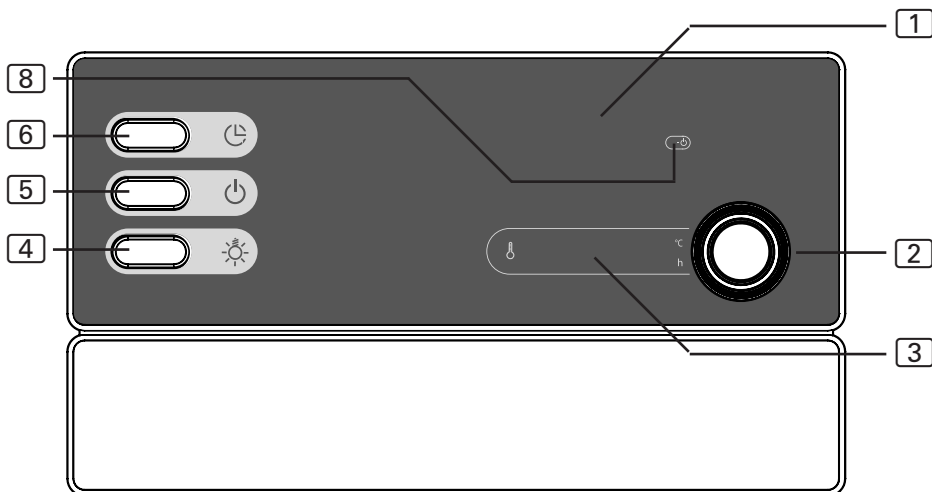


Bitte beachten Sie, dass die Temperatur über dem Ofen immer höher ist, als die Temperatur im Bereich der Sitzbänke. Mit der Ofentemperatur als Ist-Temperatur, wird die Temperatur, die die Saunasteuerung anzeigt, höher sein als die Temperatur, die Ihr Kabinenthermometer misst.



## 9. Bedienung

### 9.1. Bedienelemente



- 1 Zusatz-Anzeige
- 2 Temperatur-Wähler
- 3 Temperatur-Anzeige

- 4 Lichtschalter
- 5 EIN/AUS-Schalter
- 6 Vorwahlzeit-Taster
- 8 Fernstart-Anzeige

DE

### 9.2. Licht einschalten

Das Licht in der Saunakabine kann unabhängig vom EIN/AUS-Schalter 5 eingeschaltet und ausgeschaltet werden.

- Um das Licht einzuschalten bzw. auszuschalten, drücken Sie den Lichtschalter 4.

### 9.3. Saunasteuerung einschalten

**WARNUNG!****Brandgefahr**

Brennbare Gegenstände, die auf dem heißen Saunaofen liegen, können sich entzünden und Brände verursachen.

- Legen Sie NIEMALS brennbare Gegenstände auf den Saunaofen.
- Stellen Sie sicher, dass KEINE brennbaren Gegenstände auf dem Saunaofen liegen, bevor Sie die Saunasteuerung einschalten.

- Drücken Sie den EIN/AUS-Schalter **[5]**, um die Saunasteuerung einzuschalten.
  - ▶ In der Temperatur-Anzeige **[3]** erscheint für einige Sekunden "0". Anschließend wird die aktuelle Temperatur in der Kabine angezeigt. Im Ein-Fühlerbetrieb wird die zuletzt eingestellte Soll-Temperatur angezeigt.

### 9.4. Sauna starten

1. Stellen Sie mit dem Temperatur-Wähler **[2]** die gewünschte Temperatur ein.
  - ▶ Der Temperatur-Wähler **[2]** blinkt und die eingestellte Soll-Temperatur wird in der Temperatur-Anzeige **[3]** angezeigt.
2. Drücken Sie auf den Temperatur-Wähler **[2]**.
  - ▶ Der Saunaofen wird eingeschaltet und beginnt zu heizen.
  - ▶ In der Temperatur-Anzeige **[3]** wird die aktuelle Temperatur in der Kabine angezeigt. Im Ein-Fühlerbetrieb wird die Soll-Temperatur angezeigt.

### 9.5. Soll-Temperatur ändern

Sie können während des Betriebs jederzeit die eingestellte Soll-Temperatur ändern.

- Drehen Sie den Temperatur-Wähler **[2]** nach rechts, um die Temperatur zu erhöhen.

Drehen Sie den Temperatur-Wähler **[2]** nach links, um die Temperatur zu senken.

  - ▶ Der Temperatur-Wähler **[2]** blinkt und die eingestellte Soll-Temperatur wird in der Temperatur-Anzeige **[3]** angezeigt.
  - ▶ Anschließend wird in der Temperatur-Anzeige **[3]** wieder die aktuelle Temperatur in der Kabine angezeigt. Im Ein-Fühlerbetrieb wird die Soll-Temperatur angezeigt.

## 9.6. Vorwahlzeit einstellen



### WARNUNG!

#### **Brandgefahr**

Brennbare Gegenstände, die auf dem heißen Saunaofen liegen, entzünden sich und verursachen Brände.

- Legen Sie NIEMALS brennbare Gegenstände auf den Saunaofen.
- Stellen Sie sicher, dass KEINE brennbaren Gegenstände auf dem Saunaofen liegen, bevor Sie die Vorwahlzeitfunktion aktivieren .

Sie können die Vorwahlzeit in 15-Minuten-Schritten einstellen. Die maximale Vorwahlzeit beträgt 24 Stunden. Die Vorwahlzeit wird in Stunden und Minuten angezeigt, z.B. werden 8 Stunden und 15 Minuten als 8.15 angezeigt.

1. Starten Sie die den Saunaofen (siehe Punkt **9.4. Sauna starten** auf Seite **24**).
2. Drücken Sie den Vorwahlzeit-Taster **[6]**.
  - ▶ Der Temperatur-Wähler **[2]** blinkt und in der Temperatur-Anzeige **[3]** wird die zuletzt eingestellte Vorwahlzeit angezeigt.
3. Drücken Sie auf den Vorwahlzeit-Taster **[6]**, um die Vorwahlzeit in 15-Minuten-Schritten zu erhöhen.
4. Wenn Sie die gewünschte Vorwahlzeit erreicht haben, warten Sie einige Sekunden.
  - ▶ Die Saunasteuerung wechselt in den Standby-Modus und der Timer läuft.
  - ▶ In der Temperatur-Anzeige **[3]** wird die verbleibende Vorwahlzeit angezeigt. Der Temperatur-Wähler **[2]** blinkt.
  - ▶ Nach Ablauf der Vorwahlzeit wird der Saunaofen eingeschaltet.

## 9.7. Vorwahlzeitfunktion abbrechen

- Drücken Sie für drei Sekunden (Longpress) auf den Vorwahlzeit-Taster **[6]**, um die Vorwahlzeitfunktion abzubrechen.
  - ▶ Das Ablaufen der Vorwahlzeit wird abgebrochen.
  - ▶ In der Temperatur-Anzeige **[3]** wird die aktuelle Temperatur in der Kabine angezeigt. Im Ein-Fühlerbetrieb wird die Soll-Temperatur angezeigt.



Die zuletzt eingestellte Vorwahlzeit wird gespeichert, somit kann mit nur einem Tastendruck der letzte Wert aufgerufen werden. Um die Vorwahlzeit auf 00:00 zurückzustellen, drücken Sie für drei Sekunden (Longpress) auf die Vorwahlzeit-Taste

## 9.8. Standby für Fernwirken aktivieren

Laut EN 60335-2-53 müssen Saunasteuerungen mit Fernstartfunktion manuell auf die Betriebsart „Standby für Fernwirken“ gestellt werden. Diese Aktivierung muss nach jedem Fernstart- und Fernstopp-Vorgang neu erfolgen. Führen Sie dazu folgende Schritte durch:

1. Drücken Sie für drei Sekunden (Longpress) auf den Temperaturwähler **[2]**.
  - ▶ Die Fernstart-Anzeige **[8]** beginnt zu blinken.
  - ▶ Die Saunasteuerung ist nun bereit um über ein Fernstartsignal gestartet und gestoppt zu werden.
  - ▶ Nach erfolgtem Fernstart- und Fernstopp erlischt die Fernstart-Anzeige und die Aktivierung der Betriebsart muss erneut vorgenommen werden.

## 9.9. Saunasteuerung ausschalten

1. Drücken Sie auf den Temperatur-Wähler **[2]**.
  - ▶ Der Saunaofen wird ausgeschaltet.
2. Drücken Sie den EIN/AUS-Schalter **[5]**, um die Saunasteuerung auszuschalten.
  - ▶ Die Temperatur-Anzeige **[3]** erlischt.
  - ▶ Die Saunasteuerung ist ausgeschaltet.

## 10. Reinigung und Wartung

### 10.1. Reinigung

#### **ACHTUNG!**

#### **Schäden am Gerät**

Die Saunasteuerung ist spritzwassergeschützt, trotzdem kann direkter Kontakt mit Wasser das Gerät beschädigen.

- Tauchen Sie das Gerät NIEMALS in Wasser.
- Übergießen Sie das Gerät nicht mit Wasser.
- Reinigen Sie das Gerät nicht zu feucht.

1. Tränken Sie ein Reinigungstuch in milder Seifenlauge.
2. Drücken Sie das Reinigungstuch gut aus.
3. Wischen Sie das Gehäuse der Saunasteuerung vorsichtig ab.

### 10.2. Wartung

Die Saunasteuerung ist wartungsfrei.

DE

## 11. Entsorgung



- Entsorgen Sie die Verpackungsmaterialien nach den gültigen Entsorgungsrichtlinien.
- Altgeräte enthalten wiederverwendbare Materialien, aber auch schädliche Stoffe. Geben Sie Ihr Altgerät deshalb auf keinen Fall in den Restmüll, sondern entsorgen Sie das Gerät nach den örtlich geltenden Vorschriften.

## 12. Problemlösung

### 12.1. Fehlermeldungen

Die Saunasteuerung ist mit einer Diagnosesoftware ausgestattet, die beim Einschalten und im Betrieb die Systemzustände überprüft. Sobald die Diagnosesoftware einen Fehler erkennt, schaltet die Saunasteuerung den Saunaofen ab.

Fehler werden durch einen wiederkehrenden Warnton und durch das Blinken des Temperatur-Wählers **3** angezeigt. Zusätzlich wird in der Zusatz-Anzeige **1** der Text "Err" angezeigt. In der der Temperatur-Anzeige **3** wird die Fehlernummer angezeigt.

Schalten Sie die Saunasteuerung mit dem EIN/AUS-Schalter **5** aus und beheben Sie den Fehler bevor Sie die Saunasteuerung wieder einschalten.

Die folgende Tabelle beschreibt die möglichen Fehler und deren Ursache. Bei Bedarf teilen Sie die Fehlernummer Ihrem Kundendienst mit.

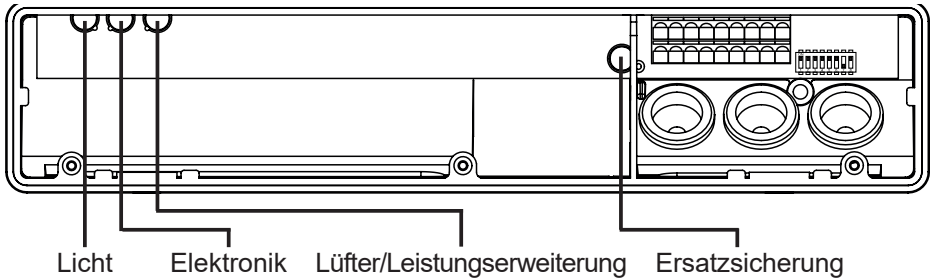
<i>Fehler</i>	<i>Beschreibung</i>	<i>Ursache / Behebung</i>
01	Sicherheitsabschaltung	Ein Gegenstand liegt auf dem Saunaofen. Entfernen Sie diesen bevor Sie den Saunaofen wieder in Betrieb nehmen.  Ist keine Sicherheitsabschaltung montiert, beachten Sie 5.6. auf Seite 16.
02	Sicherheitstemperaturbegrenzer	Die maximale Temperatur von 139 °C über dem Ofen wurde überschritten.
04F1	Ofenfühler-Fehler	Defekter Ofenfühler, schlechter Kontakt oder Kurzschluss
06F2	Bankfühler-Fehler	Defekter Bankfühler, schlechter Kontakt oder Kurzschluss

## 12.2. Sicherungen

Im Anschlussbereich der Saunasteuerung befinden sich Sicherungen für Licht, Lüfter/Leistungserweiterung und Elektronik sowie eine Ersatzsicherung.

Hierbei handelt es sich um 1A träge Mikrosicherungen.

Diese können mit der Artikelnummer PRO-FUSE bestellt werden.



Zum Tauschen der Sicherung den Sicherungseinsatz gerade abziehen und die neue Sicherung einsetzen.

## 13. Technische Daten

### **Umgebungsbedingungen**

Lagertemperatur:	-25 °C bis +70 °C
Umgebungstemperatur:	-10 °C bis +40 °C
Luftfeuchtigkeit:	max. 95%

### **Saunasteuerung**

Abmessungen:	307 x 175 x 57 mm
Schaltspannung / dreiphasig 3N:	400 V AC
Frequenz:	50 Hz
Schaltleistung / Heizgerät :	3 x 3,5 kW
Schaltstrom pro Phase / Heizgerät:	16 A
Nennspannung:	230 V
Schutzart (spritzwassergeschützt):	IPX4
Anschluss an das Versorgungsnetz als Festverdrahtung (Festanschluss)	

### **Licht**

Schaltleistung:	100 W
Sicherung:	1A T

### **Einstellbereiche**

Temperatur:	30 °C bis 110 °C
-------------	------------------

### **Thermische Sicherheit**

Ofenfühler mit Übertemperatur-Sicherung (139 °C Abschalttemperatur)  
 Automatische Heizzeitbegrenzung einstellbar (6 h, 12 h, 18 h, 24 h)\*  
 Wahlweise Ein-Fühlerbetrieb oder Zwei-Fühlerbetrieb

### **Anschlussleitungen**

Versorgungsleitung:	min. 5 x 2,5 mm <sup>2</sup>
Ofenzuleitung (temperaturbeständig bis 150 °C):	min. 2,5 mm <sup>2</sup>
Fühlerleitungen (temperaturbeständig bis 150 °C):	min. 0,5 mm <sup>2</sup>
Lichtleitung:	min. 1,5 mm <sup>2</sup>

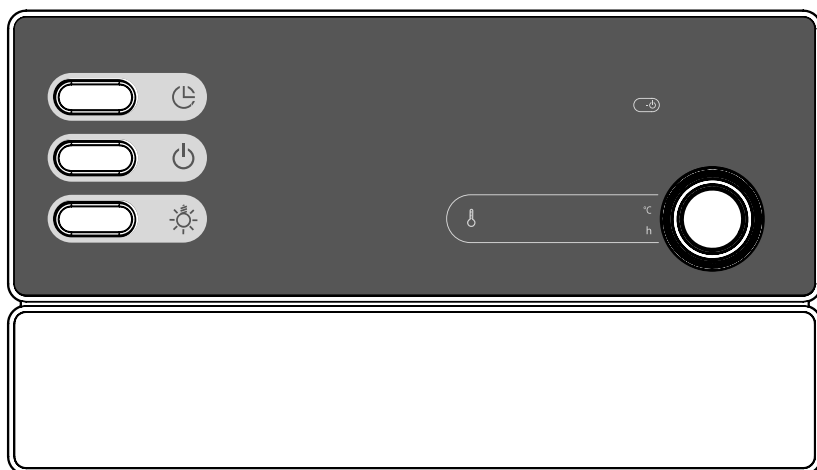
\* Die EN 60335-2-53 schreibt für private Saunen eine Heizzeitbegrenzung von 6 h vor. Für Saunen in Hotels, Wohnblöcken und ähnlichen Standorten ist eine Heizzeitbegrenzung von 12 h zulässig. Die Erweiterung der Heizzeitbegrenzung auf 18 h oder 24 h ist nur in öffentlichen Saunen gestattet.



# Commande de sauna

## PRO B2

INSTRUCTIONS DE MONTAGE ET MODE D'EMPLOI  
Français



FR

PRO-B2 / 1-015-455

# Table des matières

<b>1. Concernant ces instructions</b>	<b>4</b>
<b>2. Remarques importantes pour votre sécurité</b>	<b>5</b>
2.1. Usage conforme	5
2.2. Consignes de sécurité pour le monteur	6
2.3. Consignes de sécurité pour l'utilisateur	7
<b>3. Description du produit</b>	<b>8</b>
3.1. Contenu de la livraison	8
3.2. Accessoires en option	8
3.3. Fonctions du produit	8
3.4. Modes de fonctionnement des sondes	9
<b>4. Montage</b>	<b>10</b>
4.1. Montage de la commande de sauna	10
4.2. Montage de la sonde de poêle F1 avec dispositif de protection contre la surtempérature	12
4.3. Montage de la sonde de banc F2 (en option)	13
<b>5. Branchements électriques</b>	<b>14</b>
5.1. Branchement du câble d'alimentation et du câble de poêle	15
5.2. Branchement de l'éclairage	15
5.3. Branchement du module d'extension de puissance (en option)	16
5.4. Branchement de la sonde de poêle F1	16
5.5. Branchement de la sonde de banc F2 (en option)	16
5.6. Branchement du dispositif d'arrêt de sécurité	16
5.7. Démarrage à distance	17
5.8. Fin de l'installation	17
<b>6. Exécution des contrôles</b>	<b>18</b>
<b>7. Schéma de raccordement</b>	<b>20</b>

<b>8. Mise en service</b>	<b>21</b>
8.1. Réglage de la limitation de la durée de chauffage	21
8.2. Activation/désactivation de la disponibilité des phases	22
8.3. Démarrage à distance libération	22
8.4. Activation/désactivation du fonctionnement à une sonde	22
8.5. Affichage de la température du poêle en fonctionnement à une sonde	22
<b>9. Utilisation</b>	<b>23</b>
9.1. Éléments de commande	23
9.2. Allumage de l'éclairage	23
9.3. Mise en marche de la commande de sauna	24
9.4. Mise en marche du sauna	24
9.5. Modification de la température de consigne	24
9.6. Réglage de la marche programmée	25
9.7. Désactivation de la fonction de marche programmée	26
9.8. Activation du mode de veille de l'actionnement à distance	26
9.9. Arrêt de la commande de sauna	26
<b>10. Nettoyage et entretien</b>	<b>27</b>
10.1. Nettoyage	27
10.2. Entretien	27
<b>11. Élimination</b>	<b>27</b>
<b>12. Dépannage</b>	<b>28</b>
12.1. Messages d'erreur	28
12.2. Fusibles	29
<b>13. Caractéristiques techniques</b>	<b>30</b>

# 1. Concernant ces instructions

Lisez attentivement les instructions de montage et le mode d'emploi présents et conservez-les à proximité de la commande de sauna. Vous pouvez ainsi consulter à tout moment des informations concernant son utilisation et relatives à votre sécurité.



Ces instructions de montage et d'utilisation sont également disponibles dans la rubrique de téléchargement de notre site Internet [www.sentiotec.com/downloads](http://www.sentiotec.com/downloads).

## **Symboles d'avertissement**

Dans les instructions de montage et le mode d'emploi présents, un avertissement précède les activités représentant un danger. Conformez-vous impérativement à ces avertissements. Vous éviterez ainsi des dommages matériels et des blessures qui, dans le pire des cas, peuvent être mortelles.

Ces avertissements utilisent des termes clés qui ont la signification suivante :



### **DANGER**

Si vous ne respectez pas cet avertissement, il y a un risque de blessures graves voire mortelles.



### **AVERTISSEMENT**

Si vous ne respectez pas cet avertissement, il y a un risque éventuel de blessures graves voire mortelles.



### **PRUDENCE**

Si vous ne respectez pas cet avertissement, il y a un risque éventuel de blessures légères.

## **ATTENTION**

Ce terme clé vous avertit de dommages matériels éventuels.

## **Autres symboles**



Ce symbole désigne les conseils et indications utiles.

## 2. Remarques importantes pour votre sécurité

La commande de sauna Pro B2 est conçue selon des règles techniques de sécurité reconnues. Cependant, des dangers peuvent survenir lors de l'utilisation. C'est pourquoi vous devez suivre les consignes de sécurité suivantes et les avertissements spécifiques des différents chapitres. Conformez-vous aux consignes de sécurité des appareils raccordés.

### 2.1. Usage conforme

La commande de sauna Pro B2 sert exclusivement à la commande et au réglage des fonctions conformément aux données techniques.

La commande de sauna Pro B2 peut uniquement être utilisée pour la commande et le réglage d'un poêle de sauna ayant satisfait au contrôle selon le paragraphe 19.101 de la norme EN 60335-2-53. Si le four ne répond pas à cette exigence, des précautions de sécurité appropriées doivent être prises (par exemple: dispositif d'arrêt de sécurité, voir **5.6** à la page **16**).

La commande de sauna ne peut être utilisée que pour la commande et le réglage de 3 cycles de chauffage avec une puissance max. de 3,5 kW par cycle.

Toute autre utilisation sera considérée comme un usage non conforme. Un usage non conforme peut endommager le produit et provoquer de graves blessures, voire la mort.

## 2.2. Consignes de sécurité pour le monteur

- Seul un électricien spécialisé ou une personne ayant une qualification similaire est habilité à procéder au montage.
- Les travaux sur la commande de sauna doivent être effectués uniquement lorsque l'appareil n'est pas sous tension.
- Un dispositif de coupure totale du circuit sur tous les pôles (catégorie de surtension III) doit être prévu par le client.
- La commande de sauna doit être montée en dehors de la cabine de sauna à une hauteur d'environ 1,70 m ou conformément aux recommandations du fabricant de la cabine. La température ambiante doit être comprise entre -10 °C et 40 °C.
- La sonde de poêle doit être posée de sorte à ne pas être influencée par l'air entrant.
- La section du câble d'alimentation du poêle doit : être d'au moins 2,5 mm<sup>2</sup> et pouvoir résister à une température de 150 °C.
- Respectez également les dispositions légales du lieu d'installation.
- En cas de problèmes insuffisamment traités dans les instructions de montage, adressez-vous à votre fournisseur pour votre propre sécurité.

### 2.3. Consignes de sécurité pour l'utilisateur

- La commande de sauna ne doit pas être utilisée par des enfants de moins de 8 ans.
- La commande de sauna peut être utilisée par des enfants de plus de 8 ans, par des personnes ayant des capacités psychiques, sensorielles ou mentales limitées et par des personnes manquant d'expérience et de connaissances aux conditions suivantes :
  - lorsqu'ils sont surveillés ;
  - lorsque l'utilisation en toute sécurité leur a été montrée et qu'ils comprennent les dangers qui peuvent survenir.
- Les enfants ne doivent pas jouer avec la commande de sauna.
- Les enfants de moins de 14 ans peuvent nettoyer la commande de sauna uniquement sous surveillance.
- Pour des raisons de santé, n'utilisez pas le sauna lorsque vous êtes sous l'influence de l'alcool, de médicaments ou de drogues.
- Assurez-vous qu'aucun objet inflammable ne se trouve sur le poêle de sauna avant de mettre en marche la commande.
- Assurez-vous qu'aucun objet inflammable ne se trouve sur le poêle avant d'activer la marche programmée ou le mode veille du démarrage à distance.
- Pour votre sécurité, adressez-vous à votre fournisseur si le mode d'emploi ne traite pas exhaustivement de certains problèmes.

## 3. Description du produit

### 3.1. Contenu de la livraison

- Commande de sauna
- Sonde de poêle avec dispositif de protection contre la surtempérature intégré
- Câbles des sondes
- Matériel de montage

### 3.2. Accessoires en option

- Sonde de banc (référence : O-F2)
- Module d'extension de puissance (référence : O-S2-18 / O-S2-30)
- Arrêt de sécurité (référence : SFE-xxxxx)
- Serveur Web pronet (référence : PRO-NET)

### 3.3. Fonctions du produit

La commande de sauna Pro B2 dispose des fonctions suivantes :

- Réglage des poêles avec une puissance de chauffage pouvant monter jusqu'à 10,5 kW pour une plage de température de 30 °C à 110 °C.
- Avec un module d'extension de puissance, la puissance de commutation maximale peut être augmentée de 10,5 kW à 18 kW ou 30 kW.
- Fonction de démarrage à distance
- Marche programmée (jusqu'à 24 heures)
- Limitation automatique de la durée de chauffage  
La commande de sauna s'arrête automatiquement au bout du temps de chauffage maximal pour des raisons de sécurité. Le temps de chauffage maximal peut être réglé sur 6 h, 12 h, 18 h ou 24 h.
- Dispositif de protection contre la surtempérature  
Le dispositif de protection contre la surtempérature se trouve dans le boîtier de la sonde de poêle. Si, en raison d'un défaut, le poêle de sauna continue à chauffer une fois la température souhaitée atteinte, le limiteur de température de sécurité éteint le poêle automatiquement à environ 139 °C.



### 3.4. Modes de fonctionnement des sondes

La commande de sauna peut être utilisée avec une ou deux sondes de température.

#### ***Fonctionnement à une sonde (F1)***

Le fonctionnement à une sonde doit être activé lors de la mise en service (voir **8.3. Activation/désactivation du fonctionnement à une sonde page 22**).

Lors du fonctionnement à une sonde, la commande de sauna fonctionne uniquement avec la sonde de poêle équipée du dispositif de protection contre la surtempérature (sonde F1). En fonctionnement à une sonde, la commande de sauna n'affiche que la température de consigne. La température effective n'est pas affichée. Si, lors du fonctionnement à une sonde, vous souhaitez que la température effective affichée par la commande de sauna soit la température détectée au-dessus du poêle (sonde F1), vous devez activer cette fonction lors de la mise en service (voir **8.4. Affichage de la température du poêle en fonctionnement à une sonde page 22**).

#### ***Fonctionnement à deux sondes avec sonde de banc (F2)***

En fonctionnement à deux sondes avec sonde de banc, une deuxième sonde de température (sonde de banc) est montée au-dessus du banc arrière du sauna. La commande de sauna indique la température mesurée par la sonde de banc comme température effective.

## 4. Montage

### 4.1. Montage de la commande de sauna

---

#### ATTENTION

##### ***Endommagement de l'appareil***

La commande de sauna est protégée contre les projections d'eau, mais un contact direct avec de l'eau peut quand même endommager l'appareil.

- Montez la commande de sauna à un endroit sec où l'humidité de l'air ne dépasse pas 95 %.
- 

#### ATTENTION

##### ***Les sources d'interférences gênent la transmission des signaux.***

- Installez tous les câbles des sondes séparément des autres câbles électriques et câbles de commande.
  - Protégez simplement les câbles isolés par un tuyau (isolation double).
- 

Lors du montage de la commande de sauna, tenez compte des points suivants :

- La commande de sauna doit être montée en dehors de la cabine de sauna ou conformément aux recommandations du fabricant de la cabine.
- La température ambiante doit être comprise entre -10 °C et +40 °C.
- Toutes les sondes doivent être raccordées avec les câbles de sondes joints qui résistent à une température allant jusqu'à 150 °C.



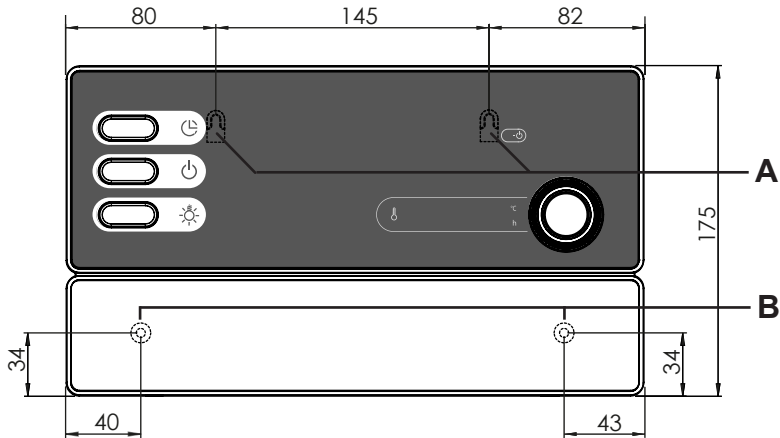
---

Les câbles des sondes peuvent être rallongés aux conditions suivantes :

- Utilisez un câble en silicone résistant à des températures allant jusqu'à 150 °C.
  - La section minimale du câble est de 0,5 mm<sup>2</sup>.
  - La longueur des câbles de sonde de poêle NE doit PAS dépasser 10 m.
-

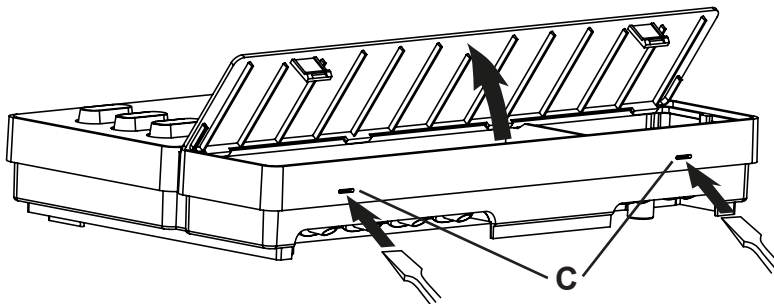
Pour le montage de la commande de sauna, suivez les étapes suivantes :

1. Vissez deux vis cruciformes (16 mm) à une hauteur d'environ 1,70 m jusqu'à obtenir un écartement de 7 mm dans la paroi du sauna. L'espace entre les deux vis doit être de 145 mm (voir **Fig. 1**).



**Fig. 1** Position du dispositif de suspension et des ouvertures de montage (mesures en mm)

2. Appuyez légèrement dans les fermetures à déclic **C** avec un tournevis et retirez le couvercle du boîtier (voir **Fig. 2**).
3. Accrochez la commande de sauna à l'aide du dispositif de suspension **A** aux vis cruciformes montées (voir **Fig. 1**).
4. Vissez deux vis cruciformes (16 mm) dans les ouvertures de fixation inférieures **B** (voir **Fig. 1**).



**Fig. 2** Retrait du couvercle du boîtier

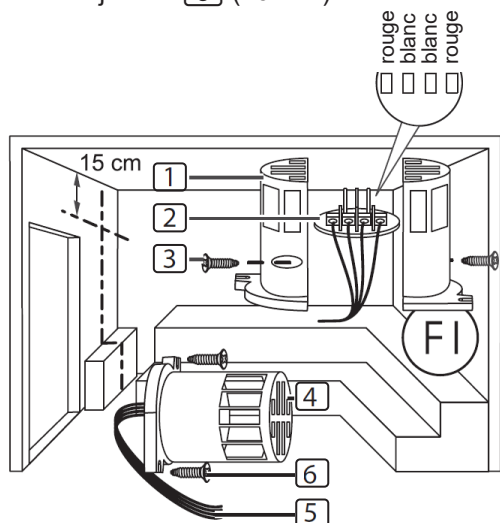
## 4.2. Montage de la sonde de poêle F1 avec dispositif de protection contre la surtempérature

Lors du montage de la sonde de poêle, tenez compte des points suivants :

- La sonde de poêle est montée sur la paroi arrière du poêle, dans la moitié supérieure du poêle. Respectez une distance de 15 cm par rapport au plafond de la cabine.
- La sonde de poêle doit être posée de sorte à ne pas être influencée par l'air entrant.

Pour le montage de la sonde de poêle, suivez les étapes suivantes (voir **Fig. 3**) :

1. Faites passer les deux câbles bipolaires de la sonde de poêle dans la paroi de la cabine du sauna jusqu'à l'emplacement de montage de la sonde de poêle et fixez les câbles de la sonde de poêle avec des serre-câbles.
2. Séparez les demi-coquilles **1** de la sonde de poêle l'une de l'autre.
3. Branchez les quatre raccordements du câble de la sonde de poêle **5** conformément à la **Fig. 3**.
4. Posez la plaque de raccordement **2** en travers (voir **Fig. 3**) dans les demi-coquilles de la sonde de poêle.
5. Fermez les demi-coquilles, vissez-les à l'aide des deux vis cruciformes **3** (9 mm) et vérifiez que la sonde de poêle est correctement fermée.
6. Montez la sonde de poêle sur la paroi arrière du poêle à l'aide des deux vis à bois **6** (16 mm).



- 1** Demi-coquilles de la sonde de poêle
- 2** Plaque de raccordement
- 3** Vis cruciformes (9 mm)
- 4** Sonde de poêle
- 5** Câbles de sonde de poêle
- 6** Vis à bois (16 mm)

**Fig. 3 Montage de la sonde de poêle**

### 4.3. Montage de la sonde de banc F2 (en option)

La sonde de banc est montée dans la paroi de la cabine au-dessus du banc arrière. Respectez une distance de 15 cm par rapport au plafond de la cabine.

Pour le montage de la sonde de banc, suivez les étapes suivantes :

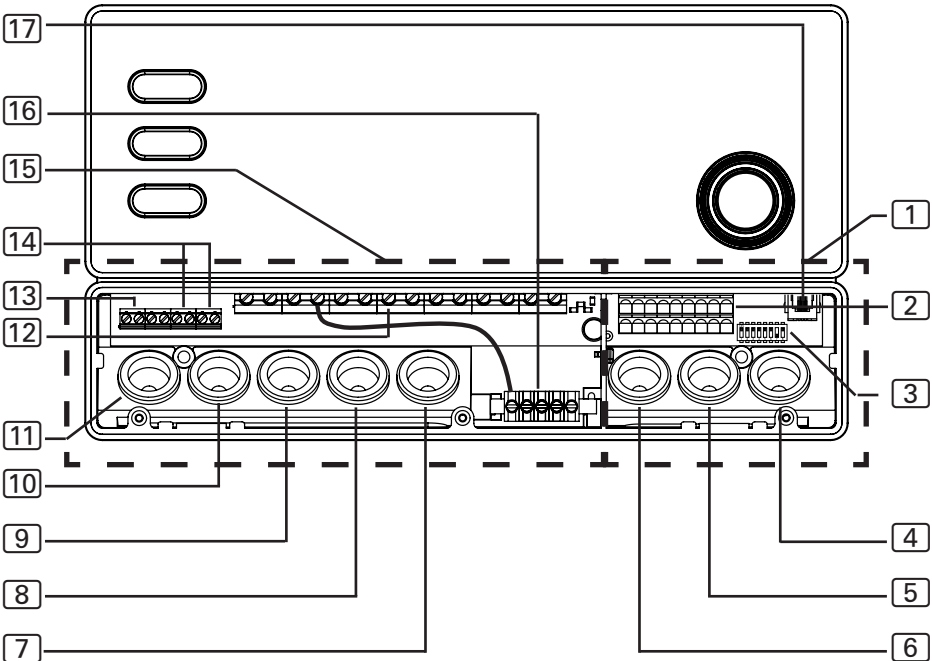
1. Faites passer le câble bipolaire de la sonde de banc dans la paroi de la cabine du sauna jusqu'à l'emplacement de montage de la sonde de banc et fixez les câbles de la sonde de banc avec des serre-câbles.
2. Séparez les demi-coquilles de la sonde de banc l'une de l'autre.
3. Branchez les deux raccordements du câble de la sonde de banc sur les deux bornes du milieu de la plaque de raccordement.
4. Posez la plaque de raccordement en travers dans les demi-coquilles de la sonde de banc.
5. Fermez les demi-coquilles et vissez-les avec les deux vis cruciformes (9 mm).
6. Vérifiez que la sonde de banc est correctement fermée.
7. Montez la sonde de banc sur la paroi de la cabine à l'aide des deux vis à bois jointes (16 mm). Respectez une distance de 15 cm par rapport au plafond de la cabine.

## 5. Branchements électriques

### ATTENTION

#### *Endommagement de l'appareil*

- La commande de sauna ne peut être utilisée que pour la commande et le réglage de 3 cycles de chauffage avec une puissance de 3,5 kW max. par cycle.



- |   |   |
|---|---|
| 1 Zone de raccordement pour très basse tension                                      | 9 Passage de câbles pour câble d'alimentation                   |
| 2 Bloc de jonction pour arrêt de sécurité, démarrage à distance et câbles de sondes | 10 Passage de câbles pour module d'extension de puissance       |
| 3 Commutateur de sélection de fonctions   | 11 Passage de câbles pour éclairage                             |
| 4 Passage de câbles pour sonde F2   | 12 Bloc de jonction pour câble de poêle et câble d'alimentation |
| 5 Passage de câbles pour sonde F1   | 13 Bloc de jonction pour éclairage                              |
| 6 Passage de câbles pour arrêt de sécurité et démarrage à distance                  | 14 Bloc de jonction pour module d'extension de puissance        |
| 7 Passage de câbles (sans câble)  | 15 Zone de raccordement pour 230 V/400 V                        |
| 8 Passage de câbles pour câble du poêle   | 16 Fil de terre   |
|   | 17 Connecteur RJ45 pour RS-485 et pronet                        |

Lors du raccordement électrique de la commande de sauna, tenez compte des points suivants :

- Seul un électricien spécialisé ou une personne ayant une qualification similaire est habilité à procéder au montage.



Pour bénéficier de la garantie, vous devez présenter une copie de la facture de l'électricien ayant effectué le branchement.

- Les travaux sur la commande de sauna doivent être effectués uniquement lorsque l'appareil n'est pas sous tension.
- L'alimentation électrique doit être assurée par un raccordement fixe.
- Un dispositif de coupure totale du circuit sur tous les pôles (catégorie de surtension III) doit être prévu par le client.
- Respectez le schéma de raccordement (**Fig. 4**) page **20**.

## 5.1. Branchement du câble d'alimentation et du câble de poêle

1. Faites passer le câble d'alimentation et le câble de poêle dans les passages de câbles [9] et [8] dans la zone de raccordement pour 230 V/400 V [15].
2. Branchez les câbles de raccordement conformément au schéma de raccordement sur le bloc de jonction [12]. Conformez-vous au mode d'emploi des différents appareils.

## 5.2. Branchement de l'éclairage

1. Faites passer le câble d'éclairage dans le passage de câbles [11] dans la zone de raccordement pour 230 V/400 V [15].
2. Branchez le câble d'éclairage conformément au schéma de raccordement sur le bloc de jonction [13]. Conformez-vous au mode d'emploi de chaque appareil.

### 5.3. Branchement du module d'extension de puissance (en option)

1. Faites passer le câble du module d'extension de puissance dans le passage de câbles **10** dans la zone de raccordement pour 230 V/400 V **15**.
2. Branchez le câble du module d'extension de puissance conformément au schéma de raccordement sur le bloc de jonction **14**. Utilisez la borne « **ST1** » pour le circuit de sécurité et la borne « **ST2** » pour le circuit de commande. Conformez-vous au mode d'emploi de chaque appareil.

### 5.4. Branchement de la sonde de poêle F1

1. Faites passer les câbles de la sonde de poêle dans le passage de câbles **5** dans la zone de raccordement pour très basse tension **1**.
2. Raccordez les câbles rouges de la sonde de poêle aux bornes portant l'inscription « **STB** » sur le bloc de jonction **2**.
3. Raccordez les câbles blancs de la sonde de poêle aux bornes portant l'inscription « **F1** » sur le bloc de jonction **2**.

### 5.5. Branchement de la sonde de banc F2 (en option)

1. Faites passer les câbles de la sonde de banc dans le passage de câbles **4** dans la zone de raccordement pour très basse tension **1**.
2. Raccordez les câbles de la sonde de banc aux bornes portant l'inscription « **F2** » sur le bloc de jonction **2**.

### 5.6. Branchement du dispositif d'arrêt de sécurité

Les commandes de sauna avec actionnement à distance ne doivent être utilisées que pour la commande et le réglage d'un poêle de sauna ayant satisfait au contrôle selon le paragraphe 19.101 de la norme EN 60335-2-53. Un dispositif d'arrêt de sécurité adapté peut également être installé dans ou sur le poêle. Le poêle du sauna est ainsi arrêté lorsque des objets, par exemple une serviette, sont posés sur le poêle.



Pour le montage du dispositif d'arrêt de sécurité, suivez les étapes suivantes :

1. Montez le dispositif d'arrêt de sécurité conformément au mode d'emploi de l'appareil.
2. Faites passer les câbles du dispositif d'arrêt de sécurité dans le passage de câbles [6] dans la zone de raccordement pour très basse tension [1].
3. Raccordez les câbles aux bornes portant l'inscription « **OSG** » sur le bloc de jonction [2].



S'il n'y a pas de dispositif d'arrêt de sécurité, pontez les bornes et inscrivez « **OSG** » sur celles-ci.

## 5.7. Démarrage à distance

Le raccordement est fait avec les bornes « **S** » et « **B** ». « **S** » correspond au mode sauna. « **B** » est une sortie +24 V CC. Celle-ci doit être commutée par un commutateur ou un actionneur sur la borne « **S** ».

## 5.8. Fin de l'installation

1. Raccordez le fil de terre du câble d'alimentation et de tous les appareils à la borne de terre [16].
2. Placez le couvercle du boîtier sur le bord supérieur de la boîte de raccordement.
3. Appuyez légèrement les fermetures à déclic vers l'intérieur et abaissez le couvercle du boîtier jusqu'à ce que vous entendiez un clic d'enclenchement.

## 6. Exécution des contrôles

Les contrôles suivants doivent être exécutés par un installateur-électricien agréé.



### AVERTISSEMENT

**Les contrôles suivants doivent être effectués sous tension. Attention au risque d'électrocution.**

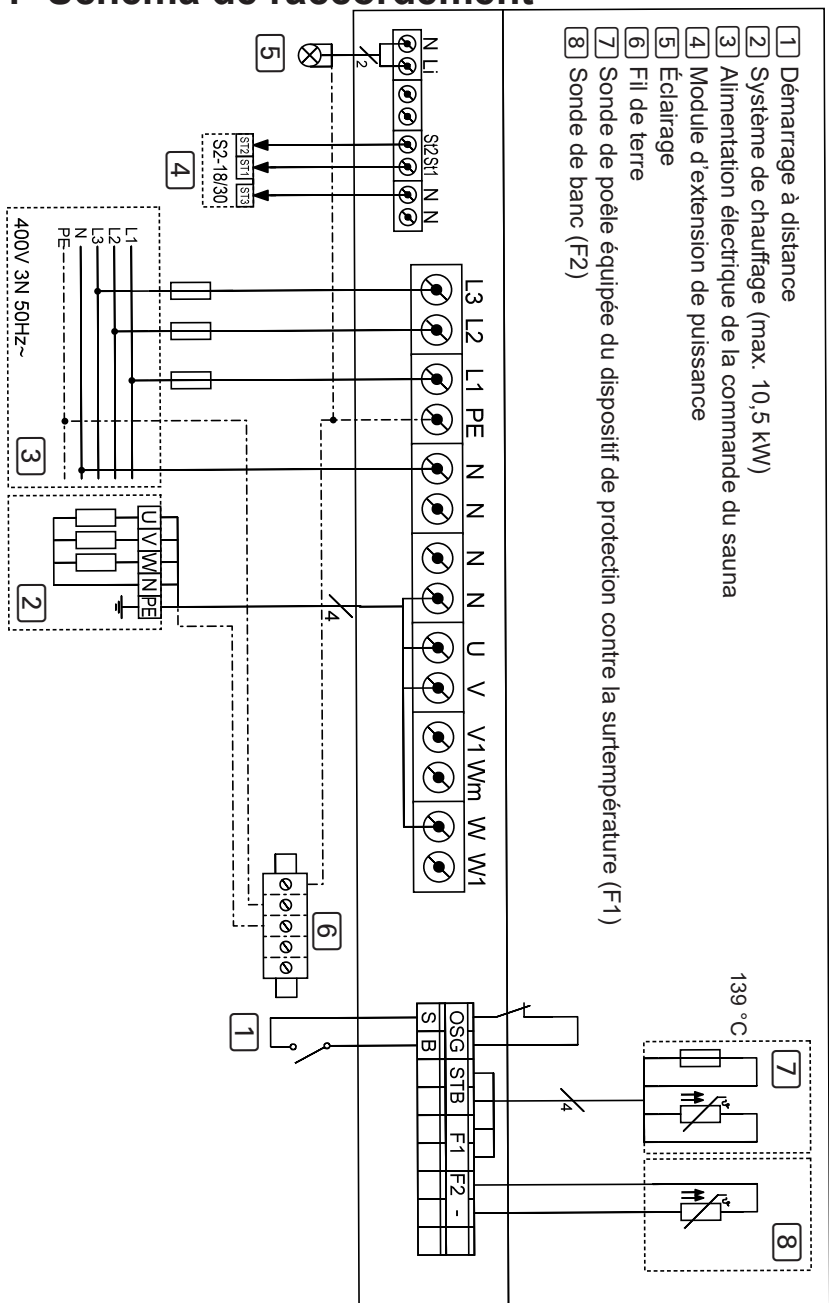
- Ne touchez JAMAIS de pièces conductrices sous tension.
- 

1. Contrôlez le contact des câbles de terre à la borne de mise à la terre.
2. Contrôlez le dispositif de protection contre la surtempérature de la sonde de poêle F1.
  - a. Mettez la commande de sauna en marche.
  - b. Ouvrez la sonde de poêle et débranchez un des deux câbles rouges de la sonde.
    - ▶ Sur l'écran supérieur, le message « Err » s'affiche, « 02 » s'affiche sur l'écran inférieur et la commande stoppe le poêle.
  - c. Arrêtez la commande de sauna.
  - d. Rebranchez le câble rouge de la sonde de poêle.
  - e. Débranchez maintenant un des câbles blancs de la sonde de poêle.
  - f. Mettez la commande de sauna en marche.
    - ▶ Sur l'écran supérieur, le message « Err » s'affiche, « 04F1 » s'affiche sur l'écran inférieur et la commande stoppe le poêle.
  - g. Arrêtez la commande de sauna.
  - h. Rebranchez le câble blanc de la sonde de poêle.
3. Vérifiez la commutation des phases pour le mode sauna de L1, L2, L3 à U, V, W.
4. Contrôlez la puissance de chauffage maximale autorisée sur la commande de sauna (3,5 kW par phase).

5. En présence d'un module d'extension de puissance optionnel
  - a. Contrôlez les câbles de commande ST1, ST2 et ST3.
  - b. Contrôlez la puissance de chauffage maximale sur le module d'extension de puissance S2-18 de 3 kW pour chaque phase.
  - c. Contrôlez la puissance de chauffage maximale sur le module d'extension de puissance S2-30 de 7 kW pour chaque phase.

## 7. Schéma de raccordement

**Fig. 4 Schéma de raccordement**



## 8. Mise en service

Vous pouvez activer différentes fonctions du produit à l'aide du commutateur de sélection de fonctions qui se trouve dans la zone de raccordement pour très basse tension. L'illustration de droite représente le réglage standard du commutateur de sélection de fonctions.

Veillez à ce que la commande soit éteinte pendant 10 secondes après les modifications, et ce afin d'enregistrer les réglages.

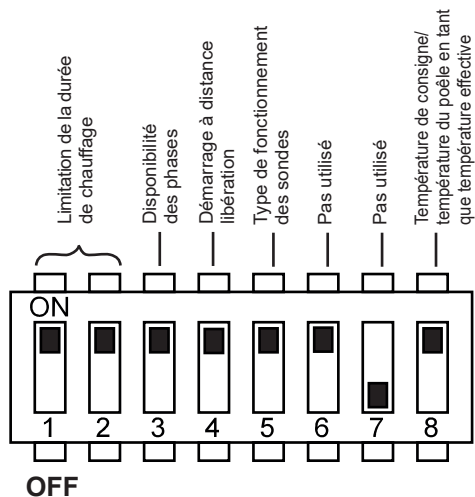


Fig. 5 Commutateur de sélection de fonctions – réglage standard

### 8.1. Réglage de la limitation de la durée de chauffage

La durée de chauffage maximale est réglée par défaut sur 6 h. La commande de sauna s'arrête automatiquement au bout du temps de chauffage maximal pour des raisons de sécurité.

Vous pouvez régler la durée de chauffage maximale sur 12 h, 18 h ou 24 h à l'aide du commutateur de sélection de fonctions dans la zone de raccordement pour très basse tension. Vous trouverez pour cela les positions du commutateur de sélection de fonctions dans le tableau de droite.

Commutateur de sélection de fonctions	Commutateur de sélection de fonctions	
	1	2
6 h	ON	ON
12 h	OFF	ON
18 h	ON	OFF
24 h	OFF	OFF

FR



La norme EN 60335-2-53 prévoit une limitation de la durée de chauffage de 6 h maximum pour les saunas privés. Pour les saunas dans les hôtels, les immeubles et les endroits similaires, la limitation de la durée de chauffage peut atteindre un maximum autorisé de 12 h. Une extension de la limitation de la durée de chauffage à 18 h ou à 24 h est autorisée pour les saunas publics uniquement.

## 8.2. Activation/désactivation de la disponibilité des phases

Le commutateur de sélection de fonction **3** permet d'activer ou de désactiver la disponibilité des phases.

- Le commutateur de sélection de fonctions **3** se trouve par défaut en position ON. La disponibilité des phases est donc activée.
- Si vous souhaitez désactiver la disponibilité des phases, placez le commutateur de sélection de fonctions **3** en position OFF.

## 8.3. Démarrage à distance libération

Le commutateur de sélection de fonction **4** permet de sélectionner la fonction de la sortie de démarrage à distance (remarque EN60335-2-53).

- Le commutateur de sélection de fonctions **4** se trouve par défaut en position ON. Le démarrage à distance est commandé par la fonction « Veille de l'actionnement à distance ».
- Si vous souhaitez activer la sortie de démarrage à distance pour divers appareils (par exemple monnayeur, système de démarrage à distance, surveillance de porte), placez le commutateur de sélection de fonctions **4** en position OFF.

## 8.4. Activation/désactivation du fonctionnement à une sonde

Lors du fonctionnement à une sonde, la commande de sauna fonctionne uniquement avec la sonde de poêle équipée du dispositif de protection contre la surtempérature (sonde F1). Le fonctionnement à une sonde peut être activé par l'intermédiaire du commutateur de sélection de fonctions **5**.

- Le commutateur de sélection de fonctions **5** se trouve par défaut en position ON. Le fonctionnement à deux sondes est donc activé.
- Si vous souhaitez désactiver le fonctionnement à une sonde, placez le commutateur de sélection de fonctions **5** en position OFF.

## 8.5. Affichage de la température du poêle en fonctionnement à une sonde

Lors du fonctionnement à une sonde, la commande de sauna n'affiche par défaut que la température de consigne. La température effective n'est pas affichée. Si, lors du fonctionnement à une sonde, vous souhaitez que la température effective affichée par la commande de sauna soit la température détectée au-dessus du poêle (sonde F1), vous devez sélectionner cette fonction par l'intermédiaire du commutateur de sélection de fonctions **8**.

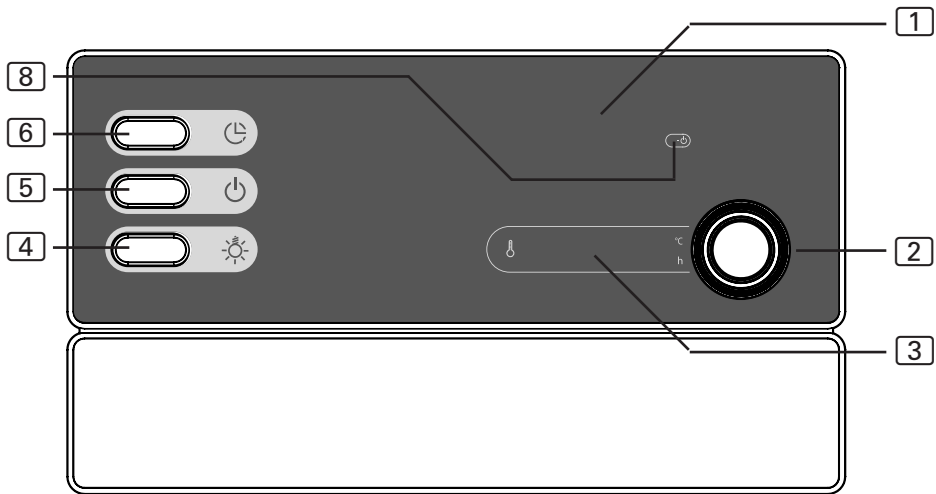
- Le commutateur de sélection de fonctions **8** se trouve par défaut en position ON. Ainsi, seule la température de consigne apparaît.
- Si vous souhaitez que la température effective affichée soit la température détectée au-dessus du poêle, vous devez placer le commutateur de sélection de fonctions **8** en position OFF.



Veillez tenir compte du fait que la température au-dessus du poêle est toujours plus élevée que la température dans la zone des bancs. En prenant la température du poêle comme température effective, la température affichée par la commande de sauna est plus élevée que la température mesurée par votre thermomètre de cabine.

## 9. Utilisation

### 9.1. Éléments de commande



1 Affichage supplémentaire

2 Sélecteur de température

3 Affichage de température

4 Commutateur d'éclairage

5 Commutateur MARCHÉ/ARRÊT

6 Touche de marche programmée

8 Affichage de démarrage à distance

FR

### 9.2. Allumage de l'éclairage

L'éclairage de la cabine de sauna peut être allumé et éteint indépendamment du commutateur MARCHÉ/ARRÊT (5).

- Pour allumer ou éteindre l'éclairage, appuyez sur le commutateur d'éclairage (4).

### 9.3. Mise en marche de la commande de sauna



#### AVERTISSEMENT

#### *Risque d'incendie*

Des objets inflammables se trouvant sur le poêle du sauna peuvent s'enflammer et provoquer des incendies.

- NE placez JAMAIS de matériaux inflammables sur le poêle de sauna.
- Assurez-vous qu'AUCUN objet inflammable ne se trouve sur le poêle de sauna avant d'allumer la commande.

- Appuyez sur le commutateur MARCHÉ/ARRÊT [5] pour mettre la commande de sauna en marche.
  - ▶ Le message « 0 » apparaît pendant quelques secondes sur l'affichage de température [3]. La température de la cabine est ensuite affichée. Lors du fonctionnement à une sonde, la dernière température de consigne réglée apparaît.

### 9.4. Mise en marche du sauna

1. Réglez la température souhaitée à l'aide du sélecteur de température [2].
  - ▶ Le sélecteur de température [2] clignote et la température de consigne réglée apparaît sur l'affichage de température [3].
2. Appuyez sur le sélecteur de température [2].
  - ▶ Le poêle de sauna se met en marche et commence à chauffer.
  - ▶ La température actuelle de la cabine apparaît sur l'affichage de température [3]. Lors du fonctionnement à une sonde, la température de consigne est affichée.

### 9.5. Modification de la température de consigne

Vous pouvez modifier la température de consigne à tout moment durant le fonctionnement.

- Tournez le sélecteur de température [2] vers la droite pour augmenter la température.  
Tournez le sélecteur de température [2] vers la gauche pour réduire la température.
  - ▶ Le sélecteur de température [2] clignote et la température de consigne réglée apparaît sur l'affichage de température [3].



- ▶ La température actuelle de la cabine apparaît à nouveau sur l'affichage de température [3]. Lors du fonctionnement à une sonde, la température de consigne est affichée.

## 9.6. Réglage de la marche programmée



### AVERTISSEMENT

#### *Risque d'incendie*

Des objets inflammables se trouvant sur le poêle de sauna brûlant peuvent s'enflammer et provoquer des incendies.

- NE placez JAMAIS de matériaux inflammables sur le poêle de sauna.
- Assurez-vous qu'AUCUN objet inflammable ne se trouve sur le poêle avant d'activer la marche programmée du sauna.

Vous pouvez régler l'horaire de la marche programmée par paliers de 15 minutes. La marche programmée maximale est de 24 h. La marche programmée est affichée en heures et en minutes, par ex. 8 heures et 15 minutes seront affichées : 8.15.

1. Démarrez le poêle de sauna (voir étape **9.4. Mise en marche du sauna** page 24).
2. Appuyez sur le sélecteur de marche programmée [6].
  - ▶ Le sélecteur de température [2] clignote et la dernière marche programmée réglée apparaît sur l'affichage de température [3].
3. Appuyez sur le sélecteur de marche programmée [6] pour augmenter la marche programmée par paliers de 15 minutes.
4. Lorsque vous avez atteint la durée de marche programmée souhaitée, attendez quelques secondes.
  - ▶ La commande de sauna passe en mode veille et le minuteur se met en marche.
  - ▶ La durée restante jusqu'à la mise en marche programmée apparaît sur l'affichage de température [3]. Le sélecteur de température [2] clignote.
  - ▶ Une fois la durée jusqu'à la mise en marche programmée écoulée, le poêle se met en marche.

## 9.7. Désactivation de la fonction de marche programmée

- Appuyez sur le sélecteur de marche programmée [6] et maintenez-le enfoncé durant trois secondes afin de désactiver la fonction de marche programmée.
  - ▶ Le décompte jusqu'à la mise en marche programmée est interrompu.
  - ▶ La température actuelle de la cabine apparaît sur l'affichage de température [3]. Lors du fonctionnement à une sonde, la température de consigne est affichée.



La dernière marche programmée étant sauvegardée, une pression de touche suffit ainsi pour appeler la dernière valeur. Pour remettre la marche programmée à 00:00, appuyez trois secondes sur la touche de marche programmée.

## 9.8. Activation du mode de veille de l'actionnement à distance

La norme EN 60335-2-53 exige l'activation manuelle du « mode de veille d'actionnement à distance » des commandes de sauna à fonction de démarrage à distance. Il faudra procéder à cette activation après l'exécution de chaque procédure de démarrage ou d'arrêt à distance. À cet effet, suivez les étapes suivantes :

1. Appuyez sur le sélecteur de température [2] pendant trois secondes.
  - ▶ L'affichage de démarrage à distance [8] clignote.
  - ▶ Le système de démarrage et d'arrêt de la commande de sauna par signal à distance est maintenant opérationnel.
  - ▶ L'affichage de démarrage à distance s'éteindra après l'exécution de chaque procédure de démarrage ou d'arrêt à distance ; il faudra également réactiver le mode de fonctionnement.

## 9.9. Arrêt de la commande de sauna

1. Appuyez sur le sélecteur de température [2].
  - ▶ Le poêle de sauna est éteint.
2. Appuyez sur le commutateur MARCHE/ARRÊT [5] pour arrêter la commande de sauna.
  - ▶ L'affichage de température [3] s'éteint.
  - ▶ La commande de sauna est éteinte.

## 10. Nettoyage et entretien

### 10.1. Nettoyage

#### ATTENTION

#### *Endommagement de l'appareil*

La commande de sauna est protégée contre les projections d'eau, mais un contact direct avec de l'eau peut quand même endommager l'appareil.

- Ne plongez JAMAIS l'appareil dans l'eau.
- Ne versez JAMAIS d'eau sur l'appareil.
- Ne nettoyez pas l'appareil avec trop d'eau.

1. Imbibez un chiffon de savon doux.
2. Essorez bien le chiffon.
3. Essuyez le boîtier de la commande de sauna avec précaution.

### 10.2. Entretien

La commande de sauna ne nécessite aucun entretien.

## 11. Élimination



- Éliminez les matériaux d'emballage conformément aux directives en vigueur relatives à l'élimination.
- Les appareils usagés contiennent des matériaux recyclables, mais aussi des substances toxiques. Par conséquent, ne jetez en aucun cas votre appareil usagé avec les déchets ménagers. Éliminez-le conformément aux directives locales en vigueur.

## 12. Dépannage

### 12.1. Messages d'erreur

La commande de sauna est équipée d'un logiciel de diagnostic qui contrôle l'état du système pendant la mise en marche et le fonctionnement. Dès que le logiciel de diagnostic détecte une erreur, la commande de sauna éteint le poêle.

Les erreurs vous sont signalées par un signal sonore répétitif et le clignotement du sélecteur de température [3]. De plus, le message « Err » apparaît sur l'affichage supplémentaire [1]. Le numéro de l'erreur apparaît sur l'affichage de température [3].

Arrêtez la commande de sauna à l'aide du commutateur MARCHE/ARRÊT [5] sur l'élément de commande et éliminez l'erreur avant de rallumer la commande de sauna.

Le tableau ci-dessous décrit les erreurs possibles et leurs causes. Si nécessaire, indiquez le numéro de l'erreur à votre service clientèle.

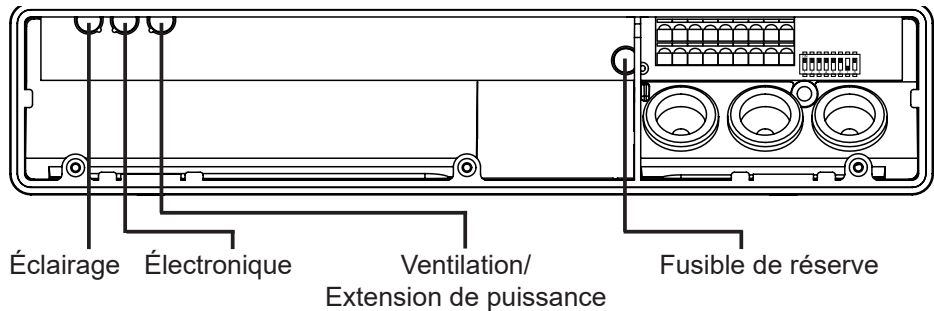
<i>Erreur</i>	<i>Description</i>	<i>Cause / résolution</i>
01	Arrêt de sécurité	Un objet est posé sur le poêle du sauna. Enlevez-le avant de remettre en service le poêle du sauna.  S'il n'y a pas de dispositif d'arrêt de sécurité, reportez-vous à « 5.6. Branchement du dispositif d'arrêt de sécurité » page 16.
02	Limiteur de température de sécurité	La température maximale de 139 °C au-dessus du poêle a été dépassée.
04F1	Dysfonctionnement de la sonde de poêle	Sonde de poêle défectueuse, mauvais contact ou court-circuit
06F2	Dysfonctionnement de la sonde de banc	Sonde de banc défectueuse, mauvais contact ou court-circuit

## 12.2. Fusibles

Les fusibles (ainsi qu'un exemplaire de réserve) de l'éclairage, de la ventilation/extension de puissance et des composants électroniques se trouvent dans la zone de raccordement de la commande du sauna.

Ce sont des microfusibles à retardement d'1 A.

Veuillez mentionner la référence PRO-FUSE pour les commander.



Remplacement de fusible : retirez tout droit l'empêchement et insérez l'exemplaire neuf.

## 13. Caractéristiques techniques

### Conditions ambiantes

Température de stockage :	de -25 °C à +70 °C
Température ambiante :	de -10 °C à +40 °C
Humidité de l'air :	max. 95 %

### Commande de sauna

Dimensions :	307 x 175 x 57 mm
Tension de commutation/triphasée 3N :	400 V CA
Fréquence :	50 Hz
Puissance de commutation/radiateur :	3 x 3,5 kW
Courant de commutation par phase/radiateur :	16 A
Tension nominale :	230 V
Degré de protection (protection contre les projections d'eau) :	IPX4
Raccordement au réseau d'alimentation en raccordement fixe	

### Éclairage

Puissance de commutation :	100 W
Fusible :	1A T

### Plages de réglage

Température :	de 30 °C à 110 °C
---------------	-------------------

### Sécurité thermique

Sonde de poêle à limiteur de température de sécurité  
(température de déclenchement : 139 °C)

Limitation automatique du temps de chauffage réglable (6 h, 12 h, 18 h, 24 h)\*

Au choix, fonctionnement à une ou deux sondes

### Câbles de raccordement

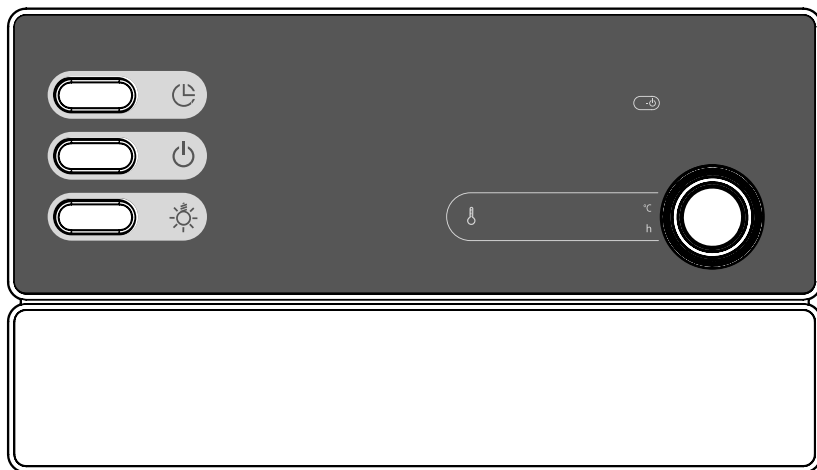
Câble d'alimentation :	min. 5 x 2,5 mm <sup>2</sup>
Câble de poêle (résistant à une température allant jusqu'à 150 °C) :	min. 2,5 mm <sup>2</sup>
Câbles de sondes (résistant à une température allant jusqu'à 150 °C) :	min. 0,5 mm <sup>2</sup>
Câble d'éclairage :	min. 1,5 mm <sup>2</sup>

\* La norme EN 60335-2-53 prévoit une limitation de la durée de chauffage de 6 h pour les saunas privés. Pour les saunas dans les hôtels, les immeubles et les endroits similaires, la limitation de la durée de chauffage autorisée est de 12 h. Une extension de la limitation de la durée de chauffage à 18 h ou à 24 h est autorisée pour les saunas publics uniquement.

# Comando della sauna

## PRO B2

ISTRUZIONI DI MONTAGGIO E D'USO  
Italiano



IT

PRO-B2 / 1-015-455

# Indice

<b>1. Informazioni sul presente manuale</b>	<b>4</b>
<b>2. Importanti indicazioni per la scurezza personale</b>	<b>5</b>
2.1. Conformità d'uso	5
2.2. Indicazioni di sicurezza per l'installatore	6
2.3. Indicazioni di sicurezza per l'utilizzatore	7
<b>3. Descrizione del prodotto</b>	<b>8</b>
3.1. Dotazione	8
3.2. Accessori opzionali	8
3.3. Funzioni del prodotto	8
3.4. Modalità di funzionamento con sensori	9
<b>4. Montaggio</b>	<b>10</b>
4.1. Montaggio del comando della sauna	10
4.2. Montaggio del sensore della stufa F1 con il fusibile termico di protezione	12
4.3. Montaggio del sensore della panca F2 (opzionale)	13
<b>5. Collegamento elettrico</b>	<b>14</b>
5.1. Collegamento del cavo di alimentazione e del cavo della stufa	15
5.2. Collegamento del cavo della luce	15
5.3. Collegamento dell'ampliamento della potenza (opzionale)	16
5.4. Collegamento del sensore della stufa F1	16
5.5. Collegamento del sensore della panca F2 (opzionale)	16
5.6. Collegamento del dispositivo di sicurezza per lo spegnimento automatico	16
5.7. Avvio remoto	17
5.8. Conclusione dell'installazione	17
<b>6. Esecuzione delle prove</b>	<b>18</b>



<b>7. Schema di collegamento</b>	<b>20</b>
<b>8. Messa in funzione</b>	<b>21</b>
8.1. Impostazione della limitazione del tempo di riscaldamento.....	21
8.2. Attivazione/disattivazione dell'attivazione singola delle fasi.....	22
8.3. Avvio remoto rilascio.....	22
8.4. Attivazione e disattivazione del funzionamento del sensore a membrana.....	22
8.5. Visualizzazione della temperatura della stufa nel funzionamento con un sensore.....	22
<b>9. Impiego</b>	<b>23</b>
9.1. Elementi di comando.....	23
9.2. Attivazione della luce.....	23
9.3. Accensione del comando della sauna.....	24
9.4. Avvio della sauna.....	24
9.5. Modifica della temperatura nominale.....	24
9.6. Impostazione della preselezione oraria.....	25
9.7. Annullamento della funzione preselezione oraria.....	26
9.8. Attivazione Stand-by per telecomando.....	26
9.9. Spegnimento del comando della sauna.....	26
<b>10. Pulizia e manutenzione</b>	<b>27</b>
10.1. Pulizia.....	27
10.2. Manutenzione.....	27
<b>11. Smaltimento</b>	<b>27</b>
<b>12. Risoluzione dei problemi</b>	<b>28</b>
12.1. Messaggi di errore.....	28
12.2. Fusibili.....	29
<b>13. Specifiche tecniche</b>	<b>30</b>

# 1. Informazioni sul presente manuale

Leggere dettagliatamente le presenti istruzioni di montaggio e d'uso e conservarle in prossimità della sauna. Così facendo è possibile in ogni momento controllare le informazioni sulla sicurezza personale e il comando.



Le presenti istruzioni di montaggio e d'uso si trovano anche nell'area di download della nostra pagina web all'indirizzo: [www.sentiotec.com/downloads](http://www.sentiotec.com/downloads).

## **Simboli nelle avvertenze**

Nelle presenti istruzioni di montaggio e d'uso, prima di ogni attività che genera un pericolo, è applicata un'avvertenza. Osservare sempre queste avvertenze. Così facendo, si evitano danni a beni materiali e lesioni che, nel peggiore dei casi, possono essere addirittura mortali.

Nelle avvertenze vengono utilizzati pittogrammi che hanno i seguenti significati:



### **PERICOLO!**

L'inosservanza di questa avvertenza può causare lesioni gravi o addirittura mortali.



### **AVVERTENZA!**

L'inosservanza di questa avvertenza può causare lesioni gravi o addirittura mortali.



### **ATTENZIONE!**

L'inosservanza di questa avvertenza può causare lesioni lievi.

### **ATTENZIONE!**

Questo pittogramma avverte della possibilità di danni a beni materiali.

## **Altri simboli**



Questo simbolo indica consigli e indicazioni utili.

## 2. Importanti indicazioni per la sicurezza personale

Il comando della sauna Pro B2 è costruito secondo le regole di sicurezza tecnica riconosciute. Tuttavia, durante l'utilizzo, possono presentarsi pericoli. Osservare pertanto le seguenti indicazioni di sicurezza e le avvertenze speciali riportate nei singoli capitoli. Osservare anche le indicazioni di sicurezza degli apparecchi collegati.

### 2.1. Conformità d'uso

Il comando della sauna Pro B2 serve esclusivamente per comandare e regolare le funzioni in base ai dati tecnici.

Il comando della sauna Pro B2 può essere utilizzato esclusivamente per il comando e la regolazione di una stufa per sauna omologata secondo la prova di copertura della stufa ai sensi della direttiva EN 60335-2-53 paragrafo 19.101. Se la stufa non soddisfa questo requisito, devono essere prese le opportune misure di sicurezza (ad es.: per disinserimento di sicurezza vedi **5.6** a pagina **16**).

Il comando della sauna Pro B2 può essere impiegato esclusivamente per il comando e la regolazione di 3 circuiti termici con una potenza termica max di 3,5 kW per circuito.

Qualsiasi altro utilizzo è considerato improprio. Un utilizzo improprio può causare danni al prodotto e lesioni gravi o mortali.

## 2.2. Indicazioni di sicurezza per l'installatore

- Il montaggio deve essere eseguito solo da elettricisti o da persone con una qualifica simile.
- I lavori da effettuare sul comando della sauna devono essere eseguiti solo in assenza di tensione.
- Per l'installazione, predisporre sul posto un dispositivo di separazione su tutti i poli con disinnesto totale corrispondente alla categoria di sovratensione III.
- Montare il comando della sauna all'esterno della cabina, a un'altezza di ca. 1,70 m o conformemente alle indicazioni del produttore della cabina. La temperatura ambiente deve essere compresa fra  $-10^{\circ}\text{C}$  e  $+40^{\circ}\text{C}$ .
- Installare il sensore della stufa in modo che il suo funzionamento non venga condizionato dall'aria in ingresso.
- Il cavo di alimentazione della stufa deve avere una sezione pari ad almeno  $2,5\text{ mm}^2$  e deve essere resistente fino a una temperatura di  $150^{\circ}\text{C}$ .
- Osservare anche le disposizioni locali valide sul posto di installazione.
- Qualora si presentassero problemi non trattati in modo esaustivo nelle presenti istruzioni di montaggio, per la vostra sicurezza, vi preghiamo di rivolgervi al vostro fornitore.

### 2.3. Indicazioni di sicurezza per l'utilizzatore

- Il comando della sauna non deve essere utilizzato da bambini di età inferiore agli 8 anni.
- Il comando della sauna può essere utilizzato da bambini sopra gli 8 anni di età, da persone con capacità fisiche, sensoriali o mentali limitate o prive della sufficiente esperienza e del know-how necessari nei seguenti casi:
  - se sono in presenza di persone responsabili per loro,
  - se è stato spiegato loro come utilizzare l'apparecchio in modo sicuro e sono chiari i pericoli che ne possono derivare.
- Ai bambini non è permesso giocare con il comando della sauna.
- I bambini al di sotto dei 14 anni possono pulire il comando della sauna solo in presenza di adulti.
- Se si è sotto l'effetto di alcol, medicinali o droghe, per motivi di salute, evitare di andare in sauna.
- Prima di accendere il comando della sauna, assicurarsi che sulla stufa per sauna non si trovino oggetti infiammabili.
- Prima di attivare la funzione di preselezione oraria o la modalità stand-by per l'avvio remoto, assicurarsi che sulla stufa non siano presenti oggetti infiammabili.
- Qualora si presentassero problemi non trattati in modo esaustivo nelle istruzioni per l'uso, per la vostra sicurezza, vi preghiamo di rivolgervi al vostro fornitore.

## 3. Descrizione del prodotto

### 3.1. Dotazione

- Comando della sauna
- Sensore della stufa con fusibile termico di protezione integrato
- Cavi dei sensori
- Materiale di montaggio

### 3.2. Accessori opzionali

- Sensore della panca (numero articolo: O-F2)
- Ampliamento della potenza (numero articolo: O-S2-18 / O-S2-30)
- Dispositivo di sicurezza per lo spegnimento automatico (numero articolo: SFE-xxxxx)
- Web server pronet (n. articolo: PRO-NET)

### 3.3. Funzioni del prodotto

Il comando della sauna Pro B2 dispone delle seguenti funzioni:

- Regolazione di stufe per sauna fino a 10,5 kW in un intervallo di temperatura compreso fra 30°C e 110°C.
- Grazie all'ampliamento della potenza, il potere di rottura massimo può essere aumentato da 10,5 kW a 18/30 kW.
- Funzione di avvio remoto
- Funzione di preselezione oraria (fino a 24 ore)
- Limitazione automatica del tempo di riscaldamento  
Per motivi di sicurezza, il comando della sauna si disattiva automaticamente una volta superato il tempo di riscaldamento massimo. Il tempo di riscaldamento massimo può essere impostato a 6 h, 12 h, 18 h o 24 h.
- Fusibile termico di protezione  
Il fusibile termico di protezione è installato nell'alloggiamento del sensore della stufa. Se dopo che è stata raggiunta la temperatura desiderata, la stufa per sauna continua a riscaldare a causa di un guasto, il fusibile termico di protezione disattiva automaticamente la stufa quando vengono raggiunti i 139°C.

### 3.4. Modalità di funzionamento con sensori

Il comando della sauna può essere fatto funzionare con uno o due sensori di temperatura.

#### ***Funzionamento con un sensore (F1)***

Attivare il funzionamento con un sensore durante la messa in funzione del comando della sauna (vedi **8.3. Attivazione e disattivazione del funzionamento del sensore a membrana** a pagina 22).

Nel funzionamento con un sensore, il comando della sauna viene fatto funzionare solo assieme al sensore della stufa con fusibile termico di protezione (sensore F1). Nel funzionamento con un sensore, il comando della sauna visualizza solamente la temperatura nominale. La temperatura effettiva non viene visualizzata. Se il comando della sauna, nel funzionamento con un sensore, deve visualizzare la temperatura sopra la stufa (sensore F1) come temperatura effettiva, attivare questa impostazione al momento della messa in funzione (vedi **8.4. Visualizzazione della temperatura della stufa nel funzionamento con un sensore** a pagina 22).

#### ***Funzionamento con due sensori con l'impiego del sensore della panca (F2)***

Nel funzionamento a due sensori con l'impiego del sensore della panca, sulla panca posteriore della sauna viene montato un secondo sensore della temperatura (sensore della panca). Il comando della sauna visualizza come temperatura effettiva la temperatura misurata dal sensore della panca.

## 4. Montaggio

### 4.1. Montaggio del comando della sauna

---

**ATTENZIONE!*****Danni all'apparecchio***

Il comando della sauna è protetto dagli spruzzi d'acqua, tuttavia il contatto diretto con l'acqua può danneggiare l'apparecchio.

- Montare il comando della sauna in un luogo asciutto, con un'umidità massima dell'aria non superiore al 95%.
- 

**ATTENZIONE!*****Fonti di interferenza compromettono la trasmissione dei segnali***

- Posare tutti i cavi dei sensori in modo che siano separati da altri cavi di alimentazione e dai cavi di comando.
  - Proteggere i cavi isolati in maniera insufficiente con un tubo (doppio isolamento).
- 

Durante il montaggio del comando della sauna osservare i seguenti punti:

- Montare il comando della sauna all'esterno della cabina o conformemente alle indicazioni del produttore della cabina.
- La temperatura ambiente deve essere compresa fra  $-10^{\circ}\text{C}$  e  $+40^{\circ}\text{C}$ .
- Tutti i sensori possono essere collegati solamente con i rispettivi cavi in dotazione, che sono resistenti fino a una temperatura di  $150^{\circ}\text{C}$ .



---

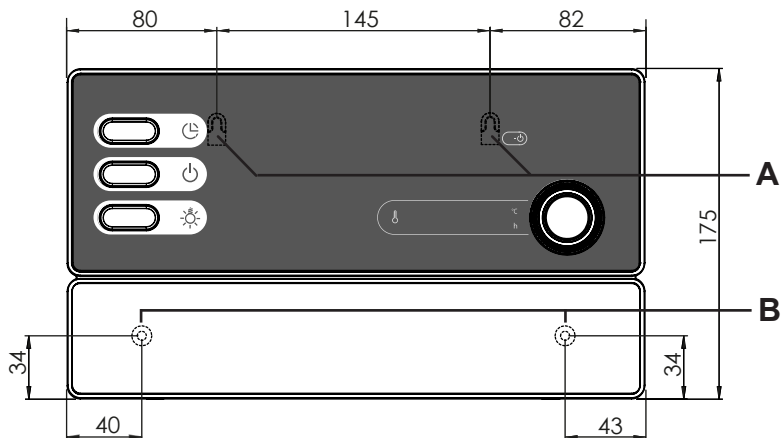
I cavi dei sensori possono essere prolungati in presenza delle seguenti condizioni:

- Impiego di un cavo isolato in silicone resistente fino a una temperatura di  $150^{\circ}\text{C}$ .
  - La sezione minima del cavo è di  $0,5\text{ mm}^2$ .
  - I cavi del sensore della stufa NON devono superare la lunghezza massima di 10 m.
-



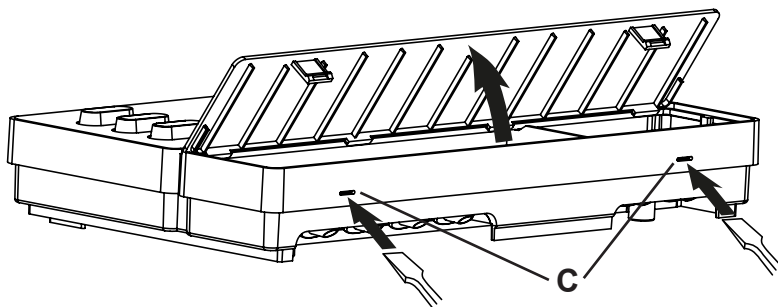
Per il montaggio del comando della sauna eseguire i seguenti passaggi:

1. Avvitare due viti con intaglio a croce (16 mm) sulla parete della sauna a un'altezza di ca. 1,70 m e lasciandole fuoriuscire per una distanza max di 7 mm. Entrambe le viti devono essere posizionate a una distanza di 145 mm l'una dall'altra (vedi **Fig. 1**).



**Fig. 1** Posizione del dispositivo di sospensione e dei fori di montaggio (misure in mm)

2. Utilizzando un cacciavite, premere leggermente le chiusure a scatto **C** e rimuovere il coperchio dell'alloggiamento (vedi **Fig. 2**).
3. Con l'ausilio del dispositivo di sospensione **A**, agganciare il comando della sauna alle viti con intaglio a croce montate (vedi **Fig. 1**).
4. Avvitare 2 viti con intaglio a croce (16 mm) nei fori di fissaggio inferiori **B** (vedi **Fig. 1**).



**Fig. 2** Rimozione del coperchio dell'alloggiamento

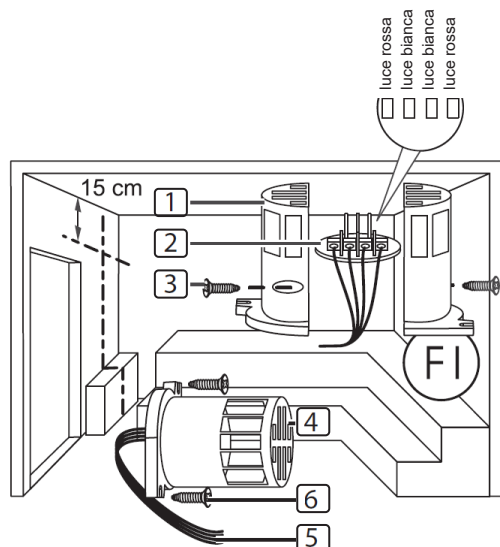
## 4.2. Montaggio del sensore della stufa F1 con il fusibile termico di protezione

Durante il montaggio del sensore della stufa osservare i seguenti punti:

- Montare il sensore sul lato posteriore della stufa, posizionandolo sopra il punto centrale della stufa. In tal caso rispettare una distanza di ca. 15 cm dal soffitto della cabina.
- Installare il sensore della stufa in modo che il suo funzionamento non venga condizionato dall'aria in ingresso.

Per il montaggio del sensore della stufa eseguire i seguenti passaggi (vedi **Fig. 3**):

1. Posare i 2 cavi a 2 poli del sensore della stufa nella parete della cabina della sauna fino alla posizione di montaggio del sensore della stufa e fissare i cavi con le fascette serracavi.
2. Separare i 2 semigusci **1** del sensore della stufa.
3. Collegare i 4 pin del cavo del sensore della stufa **5** conformemente alla **Fig. 3**.
4. Posizionare la piastra di collegamento **2** nei semigusci del sensore in senso trasversale (come indicato nella **Fig. 3**).
5. Chiudere i semigusci, avvitarli con le 2 viti con intaglio a croce **3** (9 mm) e controllare se il sensore della stufa è perfettamente chiuso.
6. Montare il sensore della stufa sul lato posteriore della stufa utilizzando le 2 viti per legno in dotazione **6** (16 mm).



- 1** Semigusci del sensore della stufa
- 2** Piastra di collegamento
- 3** Viti con intaglio a croce (9 mm)
- 4** Sensore della stufa
- 5** Cavi del sensore della stufa
- 6** Viti per legno (16 mm)

**Fig. 3** Montaggio del sensore della stufa

### 4.3. Montaggio del sensore della panca F2 (opzionale)

Montare il sensore della panca sulla parete della cabina posizionandolo sopra la panca posteriore. In tal caso rispettare una distanza di ca. 15 cm dal soffitto della cabina.

Per il montaggio del sensore della panca eseguire i seguenti passaggi:

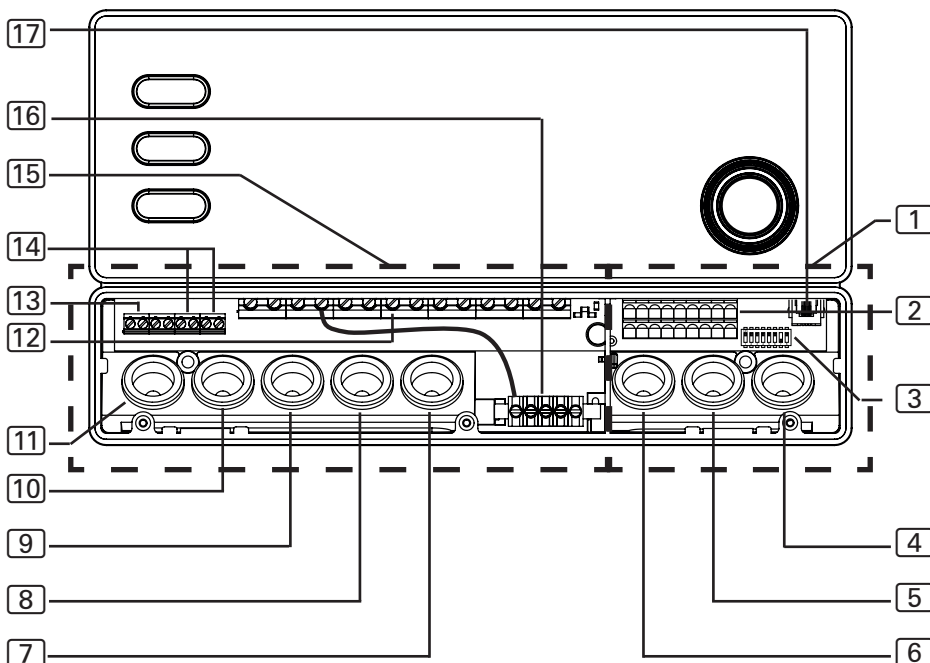
1. Posare il cavo a 2 poli del sensore della panca nella parete della cabina della sauna fino alla posizione di montaggio del sensore della panca e fissare i cavi con le fascette serracavi.
2. Separare i 2 semigusci del sensore della panca.
3. Collegare i due raccordi del cavo del sensore della panca ai due morsetti centrali della piastra di collegamento.
4. Posizionare la piastra di collegamento nei semigusci del sensore della panca in senso trasversale.
5. Chiudere i semigusci e avvitarli con le 2 viti con intaglio a croce (9 mm).
6. Controllare se il sensore della panca è perfettamente chiuso.
7. Montare il sensore della panca sulla parete della cabina utilizzando le 2 viti per legno in dotazione (16 mm). In tal caso rispettare una distanza di 15 cm dal soffitto della cabina.

## 5. Collegamento elettrico

### ATTENZIONE!

#### *Danni all'apparecchio*

- Il comando della sauna può essere impiegato esclusivamente per il comando e la regolazione di 3 circuiti termici con una potenza termica max di 3,5 kW per ogni circuito.



1 Zona di collegamento per la bassa tensione

2 Morsettiera per dispositivo di sicurezza per lo spegnimento automatico, avvio remoto e cavi dei sensori

3 Selettore di funzioni

4 Passacavo per il sensore F2

5 Passacavo per il sensore F1

6 Passacavo per dispositivo di sicurezza per lo spegnimento automatico e avvio remoto

7 Passacavo (rimane libero)

8 Passacavo per il cavo della stufa

9 Passacavo per il cavo di alimentazione

10 Passacavo per l'ampliamento della potenza

11 Passacavo per la luce

12 Morsettiera per il cavo della stufa e quello di alimentazione

13 Morsettiera per la luce

14 Morsettiera per l'ampliamento della potenza

15 Zona di collegamento per l'alimentazione a 230 V / 400 V

16 Barra di messa a terra

17 Boccia RJ45 per RS-485 e pronet

Durante il collegamento elettrico del comando della sauna osservare i seguenti punti:

- Il montaggio deve essere eseguito solo da elettricisti o da persone con una qualifica simile.



Prestare attenzione che in caso di richiesta delle prestazioni di garanzia è necessario presentare una copia della fattura rilasciata dalla ditta di elettricisti.

- I lavori da effettuare sul comando della sauna devono essere eseguiti solo in assenza di tensione.
- L'alimentazione elettrica deve essere garantita mediante un collegamento fisso.
- Per l'installazione, predisporre sul posto un dispositivo di separazione su tutti i poli con disinnesco totale corrispondente alla categoria di sovratensione III.
- Osservare lo schema di collegamento (**Fig. 4**) a pagina **20**.

## 5.1. Collegamento del cavo di alimentazione e del cavo della stufa

1. Far passare il cavo di alimentazione e il cavo della stufa attraverso i passacavi **[9]** e **[8]** e inserirli nella zona di collegamento per la tensione a 230 V / 400 V **[15]**.
2. Collegare i cavi di alimentazione alla morsettiera **[12]** secondo lo schema di collegamento. Osservare in tal caso le istruzioni per l'uso dei rispettivi apparecchi.

## 5.2. Collegamento del cavo della luce

1. Far passare il cavo della luce attraverso il passacavo **[11]** e inserirlo nella zona di collegamento per la tensione a 230 V / 400 V **[15]**.
2. Collegare il cavo della luce alla morsettiera **[13]** secondo lo schema di collegamento. Osservare in tal caso le istruzioni per l'uso del rispettivo apparecchio.

### 5.3. Collegamento dell'ampliamento della potenza (opzionale)

1. Far passare il cavo dell'ampliamento della potenza attraverso il passacavo **[10]** e inserirlo nella zona di collegamento per la tensione a 230 V / 400 V **[15]**.
2. Collegare il cavo dell'ampliamento della potenza alla morsettiera **[14]** secondo lo schema di collegamento. Utilizzare in tal caso il morsetto "ST1" per il circuito di sicurezza e il morsetto "ST2" per il circuito di comando. Osservare le istruzioni per l'uso del rispettivo apparecchio.

### 5.4. Collegamento del sensore della stufa F1

1. Far passare i cavi del sensore della stufa attraverso il passacavo **[5]** e inserirli nella zona di collegamento per la bassa tensione **[1]**.
2. Collegare i cavi rossi del sensore della stufa ai morsetti con la dicitura "STB" sulla morsettiera **[2]**.
3. Collegare i cavi bianchi del sensore della stufa ai morsetti con la dicitura "F1" sulla morsettiera **[2]**.

### 5.5. Collegamento del sensore della panca F2 (opzionale)

1. Far passare i cavi del sensore della panca attraverso il passacavo **[4]** e inserirli nella zona di collegamento per la bassa tensione **[1]**.
2. Collegare i cavi del sensore della panca ai morsetti con la dicitura "F2" sulla morsettiera **[2]**.

### 5.6. Collegamento del dispositivo di sicurezza per lo spegnimento automatico

I comandi della sauna dotati di telecontrollo possono essere utilizzati esclusivamente per il comando e la regolazione di una stufa per sauna omologata secondo la prova di copertura della stufa ai sensi della direttiva EN 60335-2-53 paragrafo 19.101. Altrimenti nella/sulla stufa può essere installato un dispositivo di sicurezza per lo spegnimento automatico corrispondente, che disattiva la stufa per sauna se su quest'ultima vengono appoggiati oggetti, come ad es. un asciugamano.

Per il montaggio del dispositivo di sicurezza per lo spegnimento automatico eseguire i seguenti passaggi:

1. Montare il dispositivo di sicurezza per lo spegnimento automatico conformemente alle istruzioni per l'uso dell'apparecchio.
2. Far passare i cavi del dispositivo di sicurezza per lo spegnimento automatico attraverso il passacavo [6] e inserirli nella zona di collegamento per la bassa tensione [1].
3. Collegare i cavi ai morsetti con la dicitura "OSG" sulla morsettiera [2].



Se non viene montato il dispositivo di sicurezza per lo spegnimento, montare nei morsetti un ponticello con la scritta "OSG".

## 5.7. Avvio remoto

Il collegamento avviene attraverso i morsetti "S" e "B". "S" indica il funzionamento della sauna. "B" indica un'uscita +24 V DC. Questa deve essere attivata sul morsetto "S" mediante un interruttore o un attuatore.

## 5.8. Conclusione dell'installazione

1. Collegare il conduttore di terra del cavo di alimentazione e di tutti gli apparecchi alla barra di messa a terra [16].
2. Applicare il coperchio dell'alloggiamento sul bordo superiore della scatola di connessione.
3. Premere leggermente verso l'interno le chiusure a scatto e inclinare verso il basso il coperchio dell'alloggiamento finché non si sente uno scatto.

## 6. Esecuzione delle prove

Le seguenti prove devono essere eseguite da un elettricista autorizzato.



### **AVVERTENZA!**

***Le seguenti prove vengono eseguite con l'alimentazione elettrica inserita. Sussiste pericolo di scossa elettrica!***

- NON toccare MAI le parti sotto tensione.
- 

1. Controllare il contatto dei cavi di messa a terra sul morsetto di terra.
2. Controllare il fusibile termico di protezione del sensore della stufa F1.
  - a. Accendere il comando della sauna.
  - b. Aprire il sensore della stufa e scollegare uno dei due cavi rossi del sensore.
    - ▶ Nella parte superiore del display appare "Err", in quella inferiore "02" e il comando spegne la stufa.
  - c. Spegnerne il comando della sauna.
  - d. Collegare nuovamente il cavo rosso del sensore della stufa.
  - e. Scollegare uno dei cavi bianchi del sensore della stufa.
  - f. Accendere il comando della sauna.
    - ▶ Nella parte superiore del display appare "Err", in quella inferiore "04F1" e il comando spegne la stufa.
  - g. Spegnerne il comando della sauna.
  - h. Collegare nuovamente il cavo bianco del sensore della stufa.
3. Controllare l'interconnessione delle fasi L1, L2, L3 su U, V, W per il funzionamento della sauna.
4. Controllare la potenza termica massima ammessa sul comando della sauna pari a 3,5 kW per ogni fase.



5. In presenza di un ampliamento della potenza opzionale:
  - a. Controllare i cavi di comando ST1, ST2 e ST3.
  - b. Controllare la potenza termica massima ammessa sull'ampliamento della potenza S2-18 pari a 3 kW per ogni fase.
  - c. Controllare la potenza termica massima ammessa sull'ampliamento della potenza S2-30 pari a 7 kW per ogni fase.



## 8. Messa in funzione

Mediante il selettore di funzioni posizionato nella zona di collegamento per la bassa tensione è possibile attivare diverse funzioni del prodotto. La figura a destra mostra l'impostazione standard dei selettori di funzioni.

Osservare che dopo le modifiche il comando deve essere disattivato per 10 sec., per salvare le impostazioni.

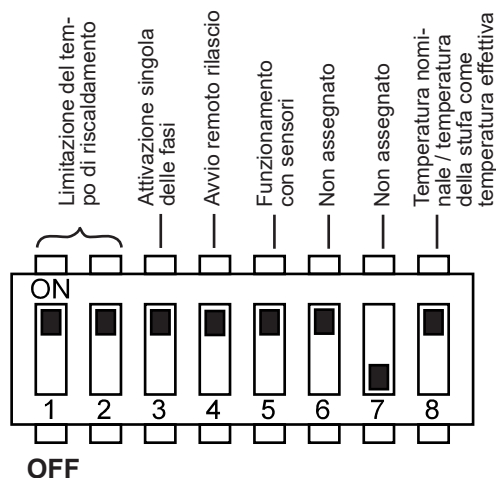


Fig. 5 Selettore di funzioni - Impostazione standard

### 8.1. Impostazione della limitazione del tempo di riscaldamento

Il tempo di riscaldamento massimo è preimpostato su 6 h. Per motivi di sicurezza, il comando della sauna si disattiva automaticamente una volta superato il tempo di riscaldamento massimo.

Mediante i selettori di funzioni nella zona di collegamento per la bassa tensione è possibile impostare una durata di riscaldamento massima su 12 h, 18 h o 24 h. Le posizioni necessarie per i selettori di funzioni si trovano nella tabella a destra.

Selettore di funzioni	1	2
6 h	ON	ON
12 h	OFF	ON
18 h	ON	OFF
24 h	OFF	OFF



La direttiva EN 60335-2-53 stabilisce per le saune per uso privato una limitazione del tempo di riscaldamento massima di 6 h. Per saune in hotel, caseggiati e posti simili, è ammessa una limitazione del tempo di riscaldamento massima di 12 h. L'estensione della limitazione del tempo di riscaldamento a 18 o 24 h è permessa solo in saune pubbliche.

## 8.2. Attivazione/disattivazione dell'attivazione singola delle fasi

La funzione di attivazione singola delle fasi viene attivata/disattivata mediante il selettore di funzioni **3**.

- Il selettore di funzioni **3** è preimpostato sulla posizione ON. L'attivazione singola delle fasi è così attivata.
- Per disattivare l'attivazione singola delle fasi, portare il selettore di funzioni **3** in posizione OFF.

## 8.3. Avvio remoto rilascio

Con il selettore di funzioni **4** è possibile selezionare la funzione dell'uscita di avvio remoto. (beachten Sie EN60335-2-53).

- Il selettore di funzioni **4** è preimpostato in posizione ON. L'avvio remoto viene azionato tramite "Stand-by per comando remoto".
- Se si desidera abilitare l'uscita di avvio remoto per diversi dispositivi (ad es. gettoniera, sistema di avvio remoto, monitoraggio porta), impostare il selettore di funzioni **4** in posizione OFF.

## 8.4. Attivazione e disattivazione del funzionamento del sensore a membrana

Nel funzionamento a un sensore, il comando della sauna viene fatto funzionare solo assieme al sensore della stufa con fusibile termico di protezione (sensore F1). Il funzionamento a un sensore deve essere attivato mediante il selettore di funzioni **5**.

- Il selettore di funzioni **5** è preimpostato sulla posizione ON. Il funzionamento a due sensori è così attivato.
- Per attivare il funzionamento a un sensore, portare il selettore di funzioni **5** in posizione OFF.

## 8.5. Visualizzazione della temperatura della stufa nel funzionamento con un sensore

Nel funzionamento a un sensore, il comando della sauna di serie visualizza solamente la temperatura nominale. La temperatura effettiva non viene visualizzata. Se il comando della sauna nel funzionamento a un sensore deve indicare la temperatura attraverso la stufa (sensore F1) come temperatura effettiva, deve essere attivato con il selettore di funzioni **8**.

- Il selettore di funzioni **8** è preimpostato sulla posizione ON. In questo modo viene indicata solo la temperatura nominale.
- Se la temperatura deve essere indicata mediante la stufa come temperatura effettiva, portare il selettore di funzioni **8** in posizione OFF.



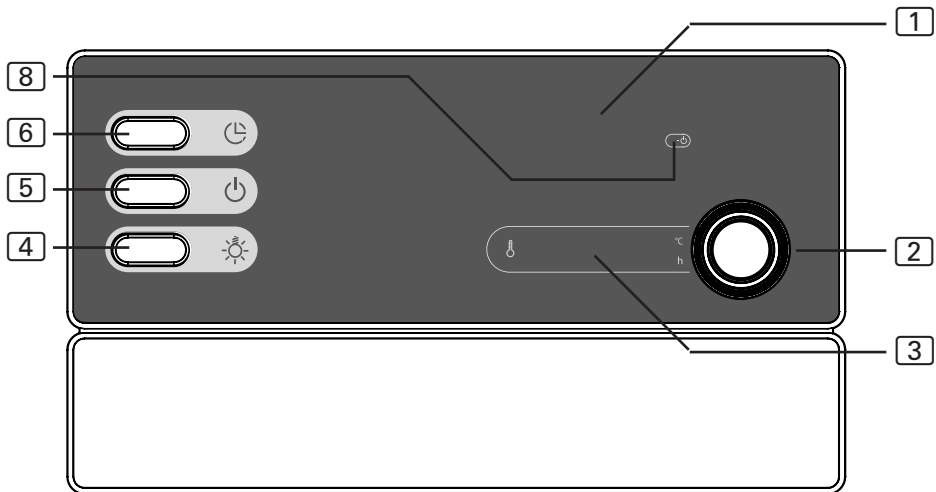
---

Considerare che la temperatura prodotta dalla stufa è sempre superiore alla temperatura nell'area delle panche. Con la temperatura della stufa come temperatura effettiva, la temperatura che appare sul comando sauna, sarà superiore a quella che il termometro della cabina misura.

---

## 9. Impiego

### 9.1. Elementi di comando



- 1 Indicazione supplementare
- 2 Selettore della temperatura
- 3 Indicazione della temperatura

- 4 Interruttore della luce
- 5 Interruttore ON/OFF
- 6 Tasto di preselezione oraria
- 8 Visualizzazione avvio remoto

### 9.2. Attivazione della luce

È possibile accendere e spegnere la luce nella cabina della sauna dipendentemente dall'interruttore ON/OFF **5**.

- Per accendere e spegnere la luce, premere l'interruttore della luce **4**.

### 9.3. Accensione del comando della sauna

**AVVERTENZA!*****Pericolo di incendio***

Gli oggetti infiammabili appoggiati sulla stufa per sauna calda possono infiammarsi e causare incendi.

- NON appoggiare MAI oggetti infiammabili sulla stufa per sauna.
- Prima di attivare il comando della sauna, accertarsi che NESSUN oggetto infiammabile si trovi sulla stufa per sauna.

- Per attivare il comando della sauna, premere l'interruttore ON/OFF [5].
  - ▶ Nell'indicazione della temperatura [3] appare "0" per alcuni secondi. Poi nella cabina viene visualizzata la temperatura attuale. Nel funzionamento a un sensore, viene visualizzata l'ultima temperatura nominale impostata.

### 9.4. Avvio della sauna

1. Impostare la temperatura desiderata con il selettore di temperatura [2].
  - ▶ Il selettore di temperatura [2] lampeggia e la temperatura nominale impostata viene visualizzata nell'indicazione della temperatura [3].
2. Premere sul selettore di temperatura [2].
  - ▶ La stufa viene accesa e inizia a riscaldare.
  - ▶ Nell'indicazione della temperatura [3] viene indicata la temperatura attuale nella cabina. Nel funzionamento a un sensore, viene visualizzata la temperatura nominale.

### 9.5. Modifica della temperatura nominale

Durante il funzionamento è possibile modificare in ogni momento la temperatura nominale impostata.

- Per aumentare la temperatura, ruotare il selettore di temperatura [2] verso destra.
  - Per ridurre la temperatura, ruotare il selettore di temperatura [2] verso sinistra.
    - ▶ Il selettore di temperatura [2] lampeggia e la temperatura nominale impostata viene visualizzata nell'indicazione della temperatura [3].
    - ▶ Poi nell'indicazione della temperatura [3] viene indicata di nuovo la temperatura attuale nella cabina. Nel funzionamento a un sensore, viene visualizzata la temperatura nominale.

## 9.6. Impostazione della preselezione oraria



### AVVERTENZA!

#### *Pericolo di incendio*

Gli oggetti infiammabili che poggiano sulla stufa calda, infiammandosi causano incendi.

- Non poggiare MAI oggetti infiammabili sulla stufa.
- Prima di attivare la funzione di preselezione oraria, accertarsi che NESSUN oggetto infiammabile si trovi sulla stufa.

È possibile impostare la preselezione oraria ogni 15 minuti. Il tempo massimo della preselezione oraria è 24 ore. La preselezione oraria viene visualizzata in ore e minuti, ad es. 8 ore e 15 minuti vengono visualizzati come 8.15.

1. Avviare la stufa (vedi punto **9.4. Avvio della sauna** a pagina **24**).
2. Premere il tasto della preselezione oraria **[6]**.
  - ▶ Il selettore della temperatura **[2]** lampeggia e nell'indicazione della temperatura **[3]** appare l'ultima preselezione oraria impostata.
3. Per aumentare l'orario preselezionato a passi di 15 minuti, premere sul tasto di preselezione oraria **[6]**.
4. Se l'orario della preselezione desiderato è stato raggiunto, attendere alcuni secondi.
  - ▶ Il comando della sauna commuta nella modalità stand-by e il timer parte.
  - ▶ Nell'indicazione della temperatura **[3]** viene visualizzato l'orario di preselezione rimanente. Il selettore della temperatura **[2]** lampeggia.
  - ▶ Una volta superato il tempo della preselezione oraria, la stufa viene accesa.

## 9.7. Annullamento della funzione preselezione oraria

- Per interrompere la funzione di preselezione oraria, premere per alcuni secondi (longpress) sul tasto di preselezione oraria **[6]**.
  - ▶ Il decorrere della preselezione oraria viene interrotto.
  - ▶ Nell'indicazione della temperatura **[3]** viene indicata la temperatura attuale nella cabina. Nel funzionamento a un sensore, viene visualizzata la temperatura nominale.



L'ultimo tempo di preselezione impostato viene salvato, questo consente di richiamare l'ultimo valore premendo un solo tasto. Per riportare a 00:00 il tempo di preselezione, premere per alcuni secondi (longpress) sul tasto di preselezione

## 9.8. Attivazione Stand-by per telecontrollo

Secondo la norma EN 60335-2-53, i comandi della sauna con funzione di avvio remoto devono essere impostati manualmente sulla modalità di funzionamento "Stand-by per telecontrollo". Quest'attivazione deve essere fatta dopo ogni operazione di avvio remoto e arresto remoto. Procedere nel seguente modo:

1. Premere per alcuni secondi (longpress) sul selettore di temperatura **[2]**.
  - ▶ L'indicazione di avvio remoto **[8]** comincia a lampeggiare.
  - ▶ Il comando della sauna è ora pronto per essere avviato e arrestato tramite un segnale remoto.
  - ▶ Una volta avvenuto l'avvio o l'arresto remoto, si spegne l'indicazione di avvio remoto e deve essere effettuata nuovamente l'attivazione della modalità di funzionamento.

## 9.9. Spegnimento del comando della sauna

1. Premere sul selettore di temperatura **[2]**.
  - ▶ La stufa è disattivato.
2. Per spegnere il comando della sauna, premere l'interruttore ON/OFF **[5]**.
  - ▶ L'indicazione della temperatura **[3]** si spegne.
  - ▶ Il comando della sauna è disattivato.



## 10. Pulizia e manutenzione

### 10.1. Pulizia

#### **ATTENZIONE!**

#### ***Danni all'apparecchio***

Il comando della sauna è protetto dagli spruzzi d'acqua, tuttavia il contatto diretto con l'acqua può danneggiare l'apparecchio.

- NON immergere MAI l'apparecchio nell'acqua.
- NON versare MAI acqua sull'apparecchio.
- NON pulire MAI l'apparecchio con un panno troppo inumidito.

1. Immergere un panno per la pulizia in una soluzione di acqua tiepida saponata.
2. Strizzare bene il panno.
3. Pulire l'alloggiamento del comando della sauna con cautela.

### 10.2. Manutenzione

Il comando della sauna è esente da manutenzione.

## 11. Smaltimento



- Smaltire i materiali dell'imballaggio conformemente alle normative sullo smaltimento vigenti.
- I vecchi apparecchi contengono materiali riciclabili ma anche sostanze dannose. Non gettare mai l'apparecchio usato insieme ai rifiuti non riciclabili, bensì smaltirlo in conformità alle norme vigenti a livello locale.

## 12. Risoluzione dei problemi

### 12.1. Messaggi di errore

Il comando della sauna è equipaggiato con un software di diagnosi che controlla gli stati del sistema durante l'accensione e il funzionamento. Non appena il software di diagnosi rileva un guasto, il comando della sauna spegne la stufa.

Gli errori vengono visualizzati attraverso un segnale acustico ricorrente e il lampeggio del selettore di temperatura [3]. Inoltre nell'indicazione supplementare [1] viene visualizzato il testo "Err". Nell'indicazione della temperatura [3] viene visualizzato il numero del guasto.

Disattivare il comando della sauna con l'interruttore ON/OFF [5] ed eliminare il guasto prima di riattivare il comando della sauna.

La seguente tabella descrive i possibili guasti e la rispettiva causa. In caso di necessità, comunicare il codice di errore all'Assistenza Clienti.

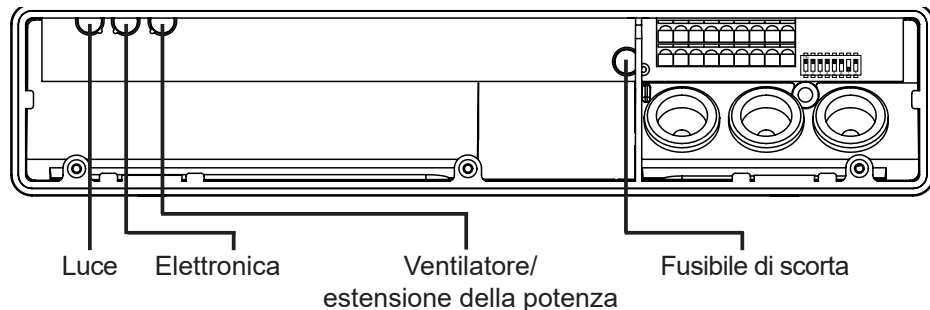
<i>Errore</i>	<i>Descrizione</i>	<i>Causa / rimedio</i>
01	Dispositivo automatico di spegnimento di sicurezza	Un oggetto è appoggiato sulla stufa per sauna. Rimuovere l'oggetto prima di mettere nuovamente in funzione la stufa.  Se non è montato il dispositivo di sicurezza per lo spegnimento automatico, consultare "5.6. Collegamento del dispositivo di sicurezza per lo spegnimento automatico" a pagina 16.
02	Limitatore termico di sicurezza	Sopra la stufa è stata superata la temperatura massima di 139°C.
04F1	Guasto sensore della stufa	Sensore della stufa guasto, contatto difettoso o cortocircuito
06F2	Guasto sensore della panca	Sensore della panca guasto, contatto difettoso o cortocircuito

## 12.2. Fusibili

Nella sezione dei collegamenti del comando della sauna, si trovano i fusibili per luce, ventilatore/estensione della potenza ed elettronica e un fusibile di scorta.

Si tratta di microfusibili ritardati da 1A.

Possono essere ordinati con il numero articolo PRO-FUSE.



Per sostituire il fusibile, estrarre verticalmente l'inserito e inserire il nuovo fusibile.

## 13. Specifiche tecniche

### **Condizioni ambientali**

Temperatura di stoccaggio:	da -25°C a +70°C
Temperatura ambiente:	da -10°C a +40°C
Umidità dell'aria:	max 95%

### **Comando della sauna**

Dimensioni:	307 x 175 x 57 mm
Tensione di commutazione / trifase 3N:	400 V AC
Frequenza:	50 Hz
Potere di rottura / riscaldatore:	3 x 3,5 kW
Corrente di commutazione per fase / riscaldatore:	16 A
Tensione nominale:	230 V
Tipo di protezione (protezione antispruzzo):	IPX4
Allacciamento alla rete di alimentazione come collegamento fisso (allacciamento fisso)	

### **Luce:**

Potere di rottura:	100 W
Fusibile:	1A T

### **Intervalli di regolazione**

Temperatura:	da 30°C a 110°C
--------------	-----------------

### **Sicurezza termica**

Sensore della stufa con fusibile termico di protezione (temperatura di spegnimento 139°C)

Possibilità di impostare il limite del tempo di riscaldamento automatico (6 h, 12 h, 18 h, 24 h)\*

Funzionamento selezionabile con uno o due sensori

### **Cavi di alimentazione**

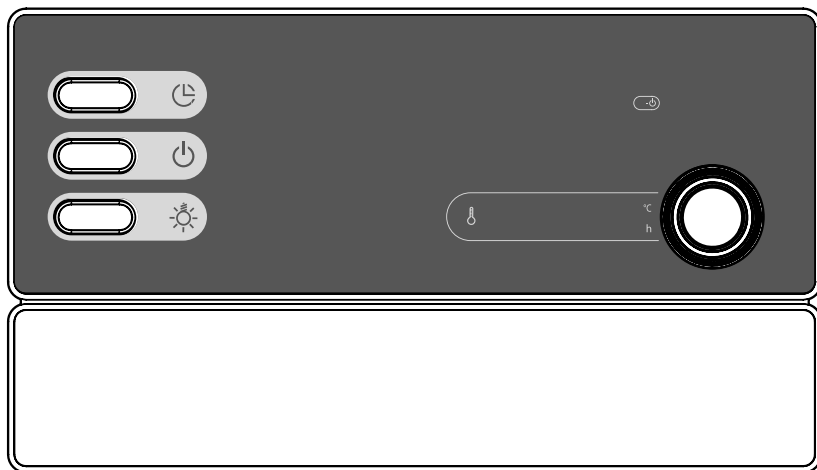
Cavo di alimentazione:	min 5 x 2,5 mm <sup>2</sup>
Cavo di alimentazione stufa (termostabile fino a 150°C):	min 2,5 mm <sup>2</sup>
Cavi dei sensori (termostabili fino a 150°C):	min 0,5 mm <sup>2</sup>
Cavo della luce:	min 1,5 mm <sup>2</sup>

\* La direttiva EN 60335-2-53 stabilisce per le saune per uso privato una limitazione del tempo di riscaldamento di 6 h. Per saune in hotel, caseggiati e posti simili, è ammessa una limitazione del tempo di riscaldamento di 12 h. L'estensione della limitazione del tempo di riscaldamento a 18 o 24 h è permessa solo in saune pubbliche.

# Saunabesturing

## PRO B2

MONTAGE- EN GEBRUIKSAANWIJZING  
Nederlands



NL

PRO-B2 / 1-015-455

# Inhoudsopgave

<b>1. Over deze handleiding</b>	<b>4</b>
<b>2. Belangrijke aanwijzingen voor uw veiligheid</b>	<b>5</b>
2.1. Reglementair gebruik	5
2.2. Veiligheidsaanwijzingen voor de monteur	6
2.3. Veiligheidsaanwijzingen voor de gebruiker	7
<b>3. Productbeschrijving</b>	<b>8</b>
3.1. Leveromvang	8
3.2. Optioneel toebehoren	8
3.3. Productfuncties	8
3.4. Bedrijfsmodi voeler	9
<b>4. Montage</b>	<b>10</b>
4.1. Saunabediening monteren	10
4.2. Kachelvoeler F1 met oververhittingsbeveiliging monteren	12
4.3. Bankvoeler F2 (optioneel) monteren	13
<b>5. Elektrische aansluiting</b>	<b>14</b>
5.1. Stroomtoevoerleiding en kachelkabel aansluiten	15
5.2. Licht aansluiten	15
5.3. Vermogensuitbreiding (optioneel) aansluiten	16
5.4. Kachelvoeler F1 aansluiten	16
5.5. Bankvoeler F2 (optioneel) aansluiten	16
5.6. Veiligheidsuitschakeling aansluiten	16
5.7. Afstandsbediening	17
5.8. Installatie afsluiten	17
<b>6. Controles uitvoeren</b>	<b>18</b>
<b>7. Schakelschema</b>	<b>20</b>

<b>8. Inbedrijfstelling</b>	<b>21</b>
8.1. Verwarmingstijdbegrenzing instellen	21
8.2. Fasenroulatie activeren/deactiveren	22
8.3. Afstandsbediening vrijlating	22
8.4. Modus met een voeler activeren/deactiveren	22
8.5. Kacheltemperatuur in modus met een voeler weergeven	22
<b>9. Bediening</b>	<b>23</b>
9.1. Bedieningselementen	23
9.2. Licht inschakelen	23
9.3. Saunabediening inschakelen	24
9.4. Sauna starten	24
9.5. Moet-temperatuur wijzigen	24
9.6. Voorselectietijd instellen	25
9.7. Voorselectietijdfunctie annuleren	26
9.8. Stand-by voor bediening op afstand activeren	26
9.9. Saunabediening uitschakelen	26
<b>10. Reinigen en onderhoud</b>	<b>27</b>
10.1. Reinigen	27
10.2. Onderhoud	27
<b>11. Afvoer</b>	<b>27</b>
<b>12. Probleemoplossing</b>	<b>28</b>
12.1. Foutmeldingen	28
12.2. Zekeringen	29
<b>13. Technische gegevens</b>	<b>30</b>

# 1. Over deze handleiding

Lees deze montage- en gebruiksaanwijzing goed door en bewaar ze in de buurt van de saunabediening. Zo kunt u te allen tijde informatie over uw veiligheid en de bediening nalezen.



U vindt deze montage- en gebruiksaanwijzing ook in het downloadbereik van onze website [www.sentiotec.com/downloads](http://www.sentiotec.com/downloads).

## ***Symbolen in waarschuwingsaanwijzingen***

In deze montage- en gebruiksaanwijzing staat bij werkzaamheden die gevaarlijk kunnen zijn een waarschuwingsaanwijzing. Neem deze waarschuwingsaanwijzingen steeds in acht. Zo voorkomt u materiële schade, letsel en zelfs de dood.

In de waarschuwingsaanwijzingen worden signaalwoorden gebruikt die de volgende betekenis hebben:



### **GEVAAR!**

Als u deze waarschuwingsaanwijzing niet in acht neemt, leidt dit tot ernstig letsel of de dood.



### **WAARSCHUWING!**

Als u deze waarschuwingsaanwijzing niet in acht neemt, kan dit leiden tot ernstig letsel of de dood.



### **VOORZICHTIG!**

Als u deze waarschuwingsaanwijzing niet opvolgt, kan dit leiden tot licht letsel.

### **ATTENTIE!**

Dit signaalwoord waarschuwt voor materiële schade.

## ***Andere symbolen***



Dit symbool kenmerkt tips en nuttige aanwijzingen.



## 2. Belangrijke aanwijzingen voor uw veiligheid

De saunabediening Pro B2 is gebouwd conform erkende veiligheids-technische voorschriften. Toch kunnen bij gebruik gevaren ontstaan. Neem daarom volgende veiligheidsaanwijzingen en de speciale waarschuwingsaanwijzingen in de afzonderlijke hoofdstukken in acht. Neem ook de veiligheidsaanwijzingen van de aangesloten apparaten in acht.

### 2.1. Reglementair gebruik

De saunabediening Pro B2 is uitsluitend bedoeld voor de bediening en regeling van de functies volgens de technische gegevens.

De saunabediening Pro B2 mag alleen voor de besturing en regeling van een saunakachel conform paragraaf 19.101 van EN 60335-2-53 worden gebruikt. Als de kachel niet aan deze voorwaarde voldoet, moet een desbetreffende veiligheidsmaatregel worden getroffen (bijvoorbeeld: veiligheidsuitschakeling, zie **5.6** op pagina **16**).

De saunabediening Pro B2 mag alleen voor de besturing en regeling van 3 verwarmingskringen met maximaal 3,5 kW vermogen per kring worden gebruikt.

Elk ander gebruik geldt als niet-reglementair. Niet-reglementair gebruik kan leiden tot productbeschadiging, ernstig letsel of de dood.

## 2.2. Veiligheidsaanwijzingen voor de monteur

- De montage mag alleen door een elektricien of een vergelijkbaar gekwalificeerde persoon worden uitgevoerd.
- Werkzaamheden aan de saunabediening mogen alleen in spanningsvrije toestand worden uitgevoerd.
- Op de plaats van opstelling moet een volledige scheidingsinrichting met complete uitschakeling overeenkomstig de overspanningscategorie III worden aangebracht.
- De saunabediening moet buiten de saunacabine op een hoogte van ongeveer 1,70 m worden gemonteerd of volgens de aanbevelingen van de cabineproducent. De omgevingstemperatuur moet liggen in het bereik van -10 °C en 40 °C.
- De kachelvoeler moet zo worden gemonteerd dat hij geen invloed ondergaat van binnenstromende lucht.
- De toevoerleiding van de kachel moet een dwarsdoorsnede van minstens 2,5 mm<sup>2</sup> hebben en temperatuurbestendig zijn tot 150 °C.
- Neem ook de plaatselijke bepalingen op de plaats van opstelling in acht.
- Raadpleeg voor problemen die in de montageaanwijzingen niet uitvoerig genoeg werden behandeld in het belang van uw eigen veiligheid uw leverancier.

### 2.3. Veiligheidsaanwijzingen voor de gebruiker

- De saunabediening mag niet door kinderen onder 8 jaar worden gebruikt.
- De saunabediening mag door kinderen boven 8 jaar, door personen met gereduceerde fysieke, sensorische of mentale vaardigheden en door personen met gebrekkige ervaring en kennis onder volgende omstandigheden worden gebruikt:
  - onder toezicht
  - indien veilig gebruik werd gedemonstreerd en ze de gevaren die kunnen ontstaan, begrijpen.
- Kinderen mogen niet met de saunabediening spelen.
- Kinderen onder 14 jaar mogen de saunabediening alleen onder toezicht reinigen.
- Maak in het belang van uw eigen gezondheid geen gebruik van de sauna, indien u onder invloed staat van alcohol, medicamenten of drugs.
- Controleer of geen brandbare voorwerpen op de saunakachel liggen, voordat u de saunabediening inschakelt.
- Controleer of geen brandbare voorwerpen op de saunakachel liggen, alvorens de voorselectiefunctie of de standby-modus voor de afstandsbediening te activeren.
- Raadpleeg voor problemen die in de gebruiksaanwijzing niet uitvoerig genoeg werden behandeld in het belang van uw eigen veiligheid uw leverancier.

## 3. Productbeschrijving

### 3.1. Leveromvang

- Saunabediening
- Kachelvoeler met geïntegreerde oververhittingsbeveiliging
- Voelerkabels
- Montagemateriaal

### 3.2. Optioneel toebehoren

- Bankvoeler (artikelnummer: O-F2)
- Vermogensuitbreiding (artikelnummer: O-S2-18 / O-S2-30)
- Veiligheidsuitschakeling (artikelnummer: SFE-xxxxx)
- Webserver pronet (artikelnummer: PRO-NET)

### 3.3. Productfuncties

De saunabediening Pro B2 beschikt over volgende functies:

- Regelen van saunakachels met een verwarmingsvermogen tot 10,5 kW in een temperatuurbereik van 30 °C tot 110 °C.
- Met een vermogensuitbreiding kan het maximale schakelvermogen van 10,5 kW tot 18 kW of 30 kW worden verhoogd.
- Afstandsbediening
- Voorselectiefunctie (tot 24 uur)
- Automatische begrenzing van de verwarmingstijd  
Uit veiligheidsoverwegingen schakelt de saunabediening na maximale verwarmingstijd automatisch uit. De maximale verwarmingstijd kan op 6 u, 12 u, 18 u of 24 u worden ingesteld.
- Oververhittingsbeveiliging  
De oververhittingsbeveiliging bevindt zich in de behuizing van de kachelvoeler. Wanneer de saunakachel, na het bereiken van de gewenste temperatuur, door een defect blijft verwarmen, schakelt de oververhittingsbeveiliging bij ongeveer 139 °C de saunakachel automatisch uit.

### 3.4. Bedrijfsmodi voeler

De saunabediening kan met een of twee temperatuurvoelers worden gebruikt.

#### ***Modus met een voeler (F1)***

De modus met één voeler moet bij de inbedrijfstelling worden geactiveerd (zie **8.3. Modus met een voeler activeren/deactiveren** op pagina **22**).

In de modus met een voeler wordt de saunabediening enkel gebruikt met de kachelvoeler met oververhittingsbeveiliging (F1-voeler). In de modus met een voeler geeft de saunabediening enkel de streeftemperatuur weer. De reële temperatuur wordt niet weergegeven. Als de saunabesturing in de modus met één voeler de temperatuur boven de kachel (F1-voeler) als werkelijke temperatuur moet weergeven, moet dit bij de inbedrijfstelling worden geactiveerd (zie **8.4. Kacheltemperatuur in modus met een voeler weergeven** op pagina **22**).

#### ***Modus met twee voelers met bankvoeler (F2)***

In de modus met twee voelers met bankvoeler wordt een tweede temperatuurvoeler (bankvoeler) boven de achterste saunabank gemonteerd. De saunabediening geeft als reële waarde die temperatuur aan die door de bankvoeler wordt gemeten.

## 4. Montage

### 4.1. Saunabediening monteren

---

**ATTENTIE!*****Schade aan het apparaat***

De saunabediening is spatwaterdicht, toch kan rechtstreeks contact met water het apparaat echter beschadigen.

- Monteer de saunabediening op een droge plaats waar een maximale luchtvochtigheid van 95% niet wordt overschreden.
- 

**ATTENTIE!*****Storende bronnen beïnvloeden de signaaloverdracht***

- Leg alle voelerkabels gescheiden van andere netkabels en bedieningskabels.
  - Bescherm enkelvoudig geïsoleerde kabels door een buis (dubbele isolatie).
- 

Let bij de montage van de saunabediening op de volgende punten:

- De saunabediening moet buiten de saunacabine worden gemonteerd of volgens de aanbevelingen van de cabineproducent.
- De omgevingstemperatuur moet liggen in het bereik van -10 °C en +40 °C.
- Alle voelers mogen enkel worden aangesloten met de meegeleverde voelerkabels die tot 150 °C temperatuurbestendig zijn.



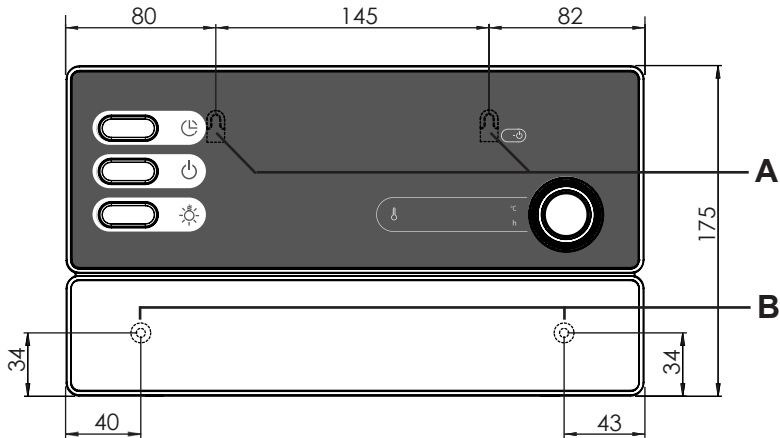
---

De voelerkabels mogen enkel onder volgende omstandigheden worden verlengd:

- Gebruik van een siliconekabel die bestendig is tot 150 °C.
  - De minimale doorsnede van de kabel bedraagt 0,5 mm<sup>2</sup>.
  - De lengte van de kabels van de kachelvoeler mag NIET langer zijn dan 10 m.
-

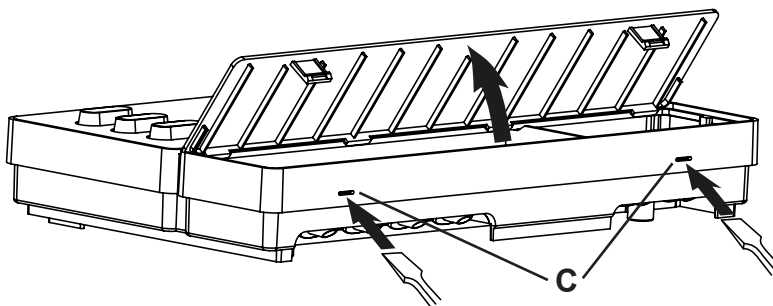
Om de saunabediening te monteren, voert u volgende stappen uit:

1. Draai twee kruiskopschroeven (16 mm) op een hoogte van ongeveer 1,70 m tot op een afstand van 7 mm in de saunawand. De beide schroeven moeten 145 mm van elkaar verwijderd zijn (zie **afb. 1**).



**afb. 1** Positie van de ophangconstructie en de montageopeningen (afmetingen in mm)

2. Druk de springsloten **C** met een schroevendraaier lichtjes in en verwijder het deksel van de behuizing (zie **afb. 2**).
3. Hang de saunabediening met behulp van de ophangconstructie **A** aan de gemonteerde kruiskopschroeven (zie **afb. 1**).
4. Draai twee kruiskopschroeven (16 mm) in de onderste bevestigingsopeningen **B** vast (zie **afb. 1**).



**afb. 2** Het deksel van de behuizing verwijderen

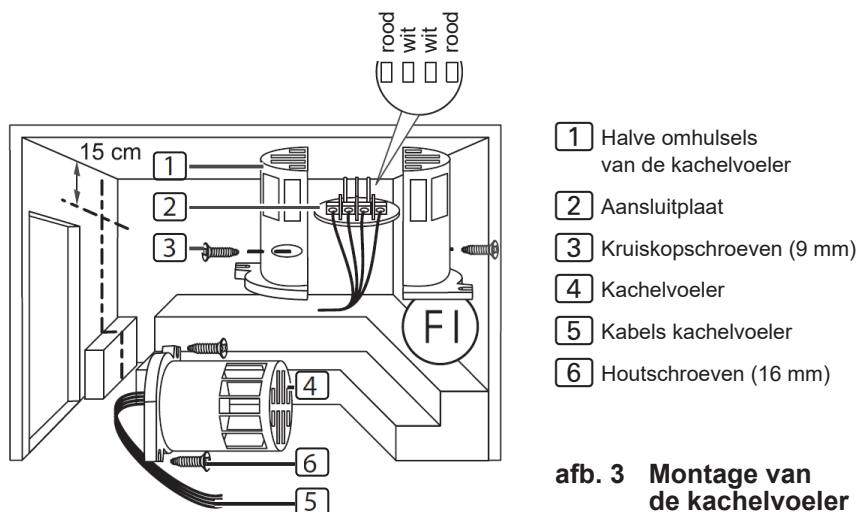
## 4.2. Kachelvoeler F1 met oververhittingsbeveiliging monteren

Let bij de montage van de kachelvoeler op volgende punten:

- De kachelvoeler moet op de achterkant van de kachel boven het midden van de saunakachel worden gemonteerd. Daarbij dient een afstand van ongeveer 15 cm tot het cabineplafond te worden gerespecteerd.
- De kachelvoeler moet zo worden gemonteerd dat hij geen invloed ondergaat van binnenstromende lucht.

Om de kachelvoeler te monteren, voert u de volgende stappen uit (zie **afb. 3**):

1. Leg de beide 2-polige kabels van de kachelvoeler in de wand van de saunacabine op de montageplaats van de kachelvoeler en bevestig de kabels van de kachelvoeler met kabelklemmen.
2. Trek de twee halve omhulsels **1** van de kachelvoeler uit elkaar.
3. Klem de vier aansluitingen van de kachelvoeler-leiding **5** conform de **afb. 3** vast.
4. Leg de aansluitplaat **2** dwars (zoals op **afb. 3** weergegeven) in de halve omhulsels van de kachelvoeler.
5. Sluit de halve omhulsels, schroef deze vast met de beide kruiskopschroeven **3** (9 mm) en controleer of de kachelvoeler vast gesloten is.
6. Monteer de kachelvoeler op de achterkant van de kachel met de beide meegeleverde houtschroeven **6** (16 mm).



**afb. 3 Montage van de kachelvoeler**



### 4.3. Bankvoeler F2 (optioneel) monteren

De bankvoeler moet op de cabinewand boven de achterste zitbank worden gemonteerd. Daarbij dient een afstand van ongeveer 15 cm tot het cabineplafond te worden gerespecteerd.

Om de bankvoeler te monteren, voert u de volgende stappen uit:

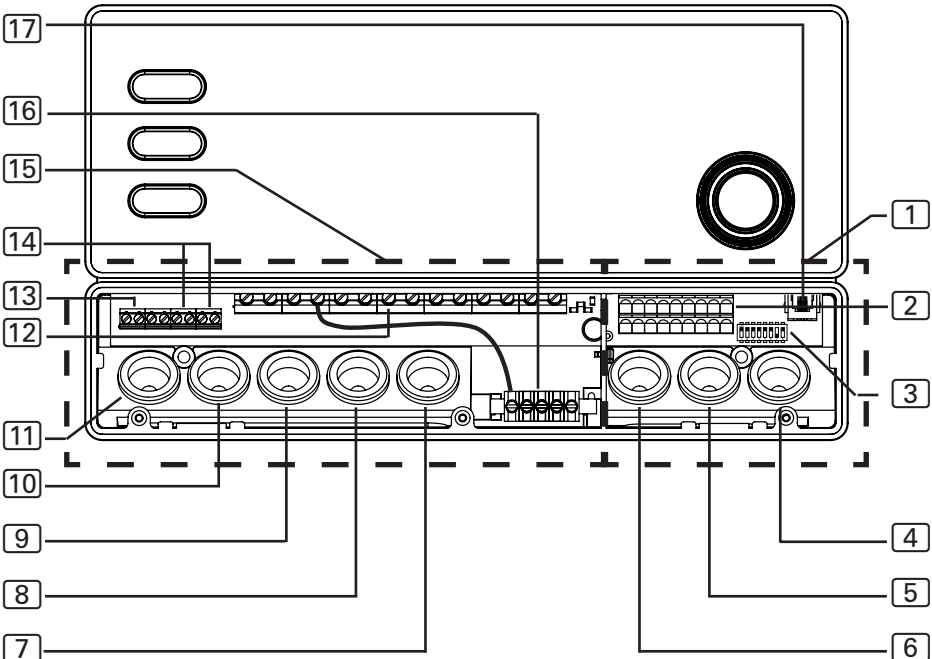
1. Leg de 2-polige kabels van de bankvoeler in de wand van de saunacabine op de montageplaats van de bankvoeler en bevestig de kabels van de bankvoeler met kabelklemmen.
2. Trek de twee halve omhulsels van de bankvoeler uit elkaar.
3. Klem de beide aansluitingen van de bankvoelerleiding aan de beide middenklemmen van de aansluitplaat.
4. Leg de aansluitplaat dwars in de halve omhulsels van de bankvoeler.
5. Sluit de halve omhulsels en schroef deze vast met de beide kruiskopschroeven (9 mm).
6. Controleer of de bankvoeler vast gesloten is.
7. Monteer de bankvoeler op de cabinewand met de beide meegeleverde houtschroeven (16 mm). Respecteer daarbij een afstand van 15 cm tot het cabineplafond.

## 5. Elektrische aansluiting

### ATTENTIE!

#### Schade aan het apparaat

- De saunabediening mag enkel worden gebruikt voor de bediening en regeling van 3 verwarmingscircuits met een verwarmingsvermogen van max. 3,5 kW per verwarmingscircuit.



- |  |  |
|--|--|
| 1 Aansluitbereik voor extra lage spanning  | 9 Kabeldoorvoering voor toevoerleiding         |
| 2 Klemmenlijst voor veiligheidsuitschakeling, afstandsbediening en voelerleidingen | 10 Kabeldoorvoering voor vermogensuitbreiding  |
| 3 Functieselectieschakelaar  | 11 Kabeldoorvoering voor licht                 |
| 4 Kabeldoorvoering voor F2-voeler  | 12 Klemmenlijst voor kachel- en toevoerleiding |
| 5 Kabeldoorvoering voor F1-voeler  | 13 Klemmenlijst voor licht                     |
| 6 Kabeldoorvoering voor veiligheidsuitschakeling en afstandsbediening              | 14 Klemmenlijst voor vermogensuitbreiding      |
| 7 Kabeldoorvoering (blijft vrij)   | 15 Aansluitbereik voor 230 V / 400 V           |
| 8 Kabeldoorvoering voor kachelleiding  | 16 Aardingsrail                                |
|  | 17 RJ45-bus voor RS-485 en pronet              |

Let bij de elektrische aansluiting van de saunabediening op volgende punten:

- De montage mag alleen door een elektricien of een vergelijkbaar gekwalificeerde persoon worden uitgevoerd.



Houd er rekening mee dat in geval van garantieclaim een kopie van de rekening van het gespecialiseerde elektrobedrijf moet worden voorgelegd.

- Werkzaamheden aan de saunabediening mogen alleen in spanningsvrije toestand worden uitgevoerd.
- De elektrische voeding moet als vaste aansluiting uitgevoerd zijn.
- Op de plaats van opstelling moet een volledige scheidingsinrichting met complete uitschakeling overeenkomstig de overspanningscategorie III worden aangebracht.
- Raadpleeg het schakelschema (**afb. 4**) op pagina **20**.

## 5.1. Stroomtoevoerleiding en kachelkabel aansluiten

1. Steek de stroomtoevoerleiding en de kachelkabel door de kabeldoorvoeringen **9** en **8** in het aansluitbereik voor 230 V / 400 V **15**.
2. Sluit de aansluitleidingen conform het aansluitschema aan op de klemmenlijst **12**. Neem daarbij de bedieningshandleiding van de respectieve apparaten in acht.

## 5.2. Licht aansluiten

1. Leid de lichtleiding door de kabeldoorvoering **11** in het aansluitbereik voor 230 V / 400 V **15**.
2. Sluit de lichtleiding conform het aansluitschema aan op de klemmenlijst **13**. Neem daarbij de bedieningshandleiding van het respectieve apparaat in acht.

### 5.3. Vermogensuitbreiding (optioneel) aansluiten

1. Leid de leiding van de vermogensuitbreiding door de kabeldoorvoering **[10]** in het aansluitbereik voor 230 V / 400 V **[15]**.
2. Sluit de leiding van de vermogensuitbreiding conform het aansluit-schema aan op de klemmenlijst **[14]**. Gebruik daarbij klem „**ST1**” voor het veiligheidscircuit en klem „**ST2**” voor het bedieningscircuit. Neem de bedieningshandleiding van het respectieve apparaat in acht.

### 5.4. Kachelvoeler F1 aansluiten

1. Steek de kachelvoelerkabels door de kabeldoorvoering **[5]** in het aansluitbereik voor laagspanning **[1]**.
2. Sluit de rode kachelvoelerkabels aan op de klemmen met het opschrift „**STB**” in het klemmenbord **[2]**.
3. Sluit de witte kachelvoelerkabels aan op de klemmen met het opschrift „**F1**” in het klemmenbord **[2]**.

### 5.5. Bankvoeler F2 (optioneel) aansluiten

1. Steek de bankvoelerkabels door de kabeldoorvoering **[4]** in het aansluitbereik voor laagspanning **[1]**.
2. Sluit de kachelvoelerkabels aan op de klemmen met het opschrift „**F2**” in het klemmenbord **[2]**.

### 5.6. Veiligheidsuitschakeling aansluiten

Conform EN 60335-2-53 mogen saunabesturingen met afstandsbediening alleen worden gebruikt voor de besturing en regeling van een saunakachel die geslaagd is voor de afdekproef conform paragraaf 19.101. Alternatief kan een desbetreffende veiligheidsuitschakeling in of boven de kachel worden gemonteerd. Deze schakelt de saunakachel uit wanneer voorwerpen, bijv. een handdoek, op de saunakachel worden gelegd.

Om de veiligheidsuitschakeling te monteren, voert u volgende stappen uit:

1. Monteer de veiligheidsuitschakeling conform de bedieningshandleiding van het apparaat.
2. Steek de kabels van de veiligheidsuitschakeling door de kabeldoorvoering **[6]** in het aansluitbereik voor laagspanning **[1]**.
3. Sluit de leidingen aan op de klemmen met het opschrift „**OSG**” in de klemmenlijst **[2]**.



Als er geen veiligheidsuitschakeling wordt gemonteerd, moet een draadbrug aan de klemmen met het opschrift „**OSG**” worden gemonteerd.

## 5.7. Afstandsbediening

De aansluiting gebeurt via de klemmen „**S**” en „**B**”. „**S**” staat voor de sauna-modus. „**B**” is een +24 V gelijkstroomuitgang. Deze moet via een schakelaar of een actuator op de klem „**S**” geschakeld worden.

## 5.8. Installatie afsluiten

1. Sluit de aardleiding van de toevoerleidingen en alle apparaten aan op de aardingsrail **[16]**.
2. Plaats het deksel van de behuizing op de bovenste rand van de aansluitbox.
3. Druk de springsloten licht naar binnen en draai het deksel van de behuizing naar beneden tot deze hoorbaar vastklikt.

## 6. Controles uitvoeren

De volgende controles moeten worden uitgevoerd door een erkende elektricien.



### **WAARSCHUWING!**

*De volgende controles worden uitgevoerd bij ingeschakelde stroomtoevoer. Het gevaar van een elektrische schok is reëel.*

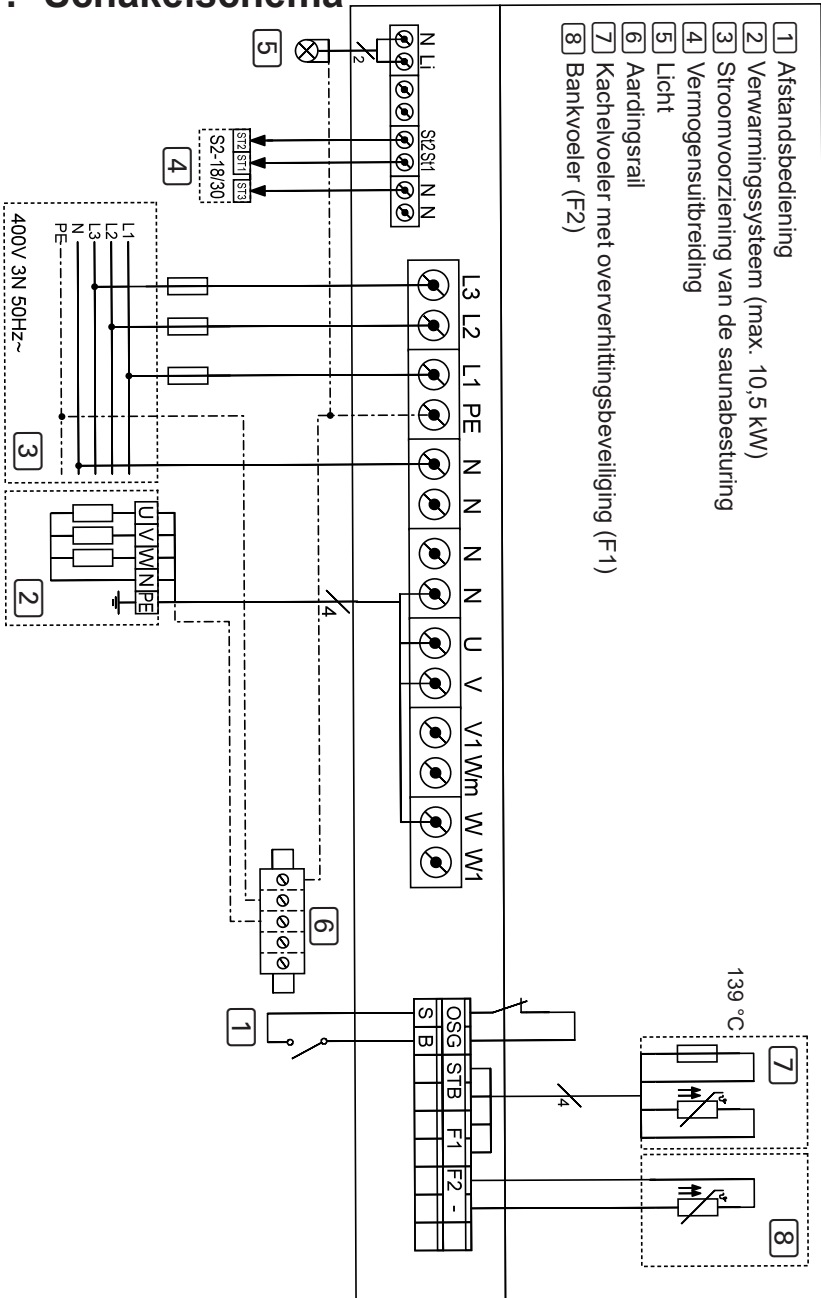
- Raak NOOIT onderdelen aan die onder spanning staan.
- 

1. Controleer het contact van de aardleidingen aan de aardleidingklem.
2. Controleer de oververhittingsbeveiliging van de kachelvoeler F1.
  - a. Schakel de saunabediening in.
  - b. Open de kachelvoeler en maak een van de twee rode kachelvoelerkabels los.
    - ▶ In het bovenste display wordt „Err” weergegeven, in het onderste display „02” en de besturing schakelt de kachel uit.
  - c. Schakel de saunabediening uit.
  - d. Sluit de rode kachelvoelerkabel weer aan.
  - e. Klem nu een van de witte kachelvoelerkabels af.
  - f. Schakel de saunabediening in.
    - ▶ In het bovenste display wordt „Err” weergegeven, in het onderste display „04F1” en de besturing schakelt de kachel uit.
  - g. Schakel de saunabediening uit.
  - h. Sluit de witte kachelvoelerkabel weer aan.
3. Controleer de fasedoorschakeling voor de sauna-modus L1, L2, L3 naar U, V, W.
4. Controleer het maximaal toegestane verwarmingsvermogen aan de saunabediening van 3,5 kW per fase.

5. Bij optionele vermogensuitbreiding
  - a. Controleer de bedieningskabels ST1, ST2 en ST3.
  - b. Controleer het maximaal toegestane verwarmingsvermogen aan de vermogensuitbreiding S2-18 van 3 kW per fase.
  - c. Controleer het maximaal toegestane verwarmingsvermogen aan de vermogensuitbreiding S2-30 van 7 kW per fase.

afb. 4 Schakelschema

## 7. Schakelschema

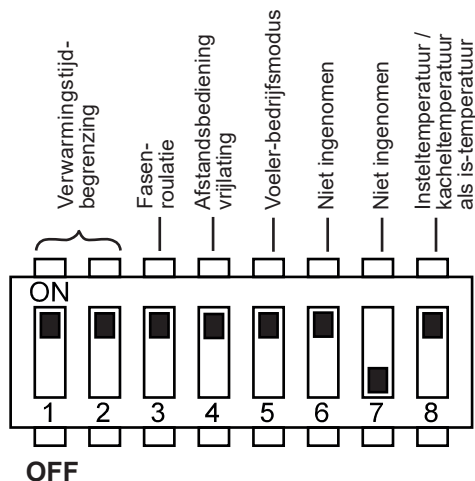




## 8. Inbedrijfstelling

Via de functiekeuzeschakelaar in het aansluitbereik voor laagspanning kunnen verschillende productfuncties worden geactiveerd. De afbeelding rechts toont de standaardinstelling van de functieschakelaar.

Houd er rekening mee dat na wijzigingen de besturing 10 seconden moet worden uitgeschakeld, om de instellingen op te slaan.



afb. 5 Functiekeuzeschakelaar – standaardinstelling

### 8.1. Verwarmingstijdbegrenzing instellen

De maximale verwarmingstijd is standaard op 6 u ingesteld. Uit veiligheidsoverwegingen schakelt de saunabediening na maximale verwarmingstijd automatisch uit.

Via de functieselectieschakelaar in het aansluitbereik voor extra lage spanning kan de maximale verwarmingsduur op 12 u, 18 u of 24 u worden ingesteld. De hiervoor verantwoordelijke posities van de functieselectieschakelaar staan in de tabel rechts.

<i>Functieselectieschakelaar</i>	1	2
6 u	ON	ON
12 u	OFF	ON
18 u	ON	OFF
24 u	OFF	OFF



EN 60335-2-53 schrijft voor privésauna's een begrenzing van de verwarmingstijd van 6 u voor. Voor sauna's in hotels, woonblokken en dergelijke is een verwarmingstijdbegrenzing van maximaal 12 u toegestaan. De uitbreiding van de verwarmingstijdbegrenzing tot 18 u of 24 u is alleen in publieke sauna's toegestaan.

## 8.2. Fasenroulatie activeren/deactiveren

De fasenroulatie wordt via de functiekeuzeschakelaar **3** geactiveerd resp. gedeactiveerd.

- Standaard bevindt de functiekeuzeschakelaar **3** zich in de ON-stand. De fasenroulatie is dan geactiveerd.
- Wanneer u de fasenroulatie wilt deactiveren, zet u de functiekeuzeschakelaar **3** in de OFF-stand.

## 8.3. Afstandsbediening vrijlating

Met de functiekeuzeschakelaar **4** kan de functie van de starten op afstand - uitgang gekozen worden (notitie EN60335-2-53).

- Standaard bevindt de functiekeuzeschakelaar **4** zich in ON-positie. Het starten op afstand wordt met “Stand-by voor bediening op afstand” bediend.
- Als u de bedienen op afstand - uitgang voor div. apparaten (bijv. Münzer, starten op afstand - systeem, deurbewaking) wilt vrijschakelen, zet de functiekeuzeschakelaar **4** dan in de OFF-positie.

## 8.4. Modus met een voeler activeren/deactiveren

In de modus met een voeler wordt de saunabediening enkel gebruikt met de kachelvoeler met oververhittingsbeveiliging (F1-voeler). Modus met een voeler moet via de functieschakelaar **5** worden geactiveerd.

- Standaard bevindt de functieschakelaar zich **5** in ON-positie. De bedrijfsmodus met twee voelers is dan geactiveerd.
- Wanneer u de modus met een voeler wilt activeren, zet u de functiekeuzeschakelaar **5** in de OFF-stand.

## 8.5. Kacheltemperatuur in modus met een voeler weergeven

In de modus met een voeler geeft de saunabediening standaard alleen de ingestelde temperatuur weer. De reële temperatuur wordt niet weergegeven. Als de saunabediening in modus met een voeler de temperatuur boven de kachel (F1-voeler) als werkelijke temperatuur moet weergeven, moet deze met de functieschakelaar **8** worden geactiveerd.

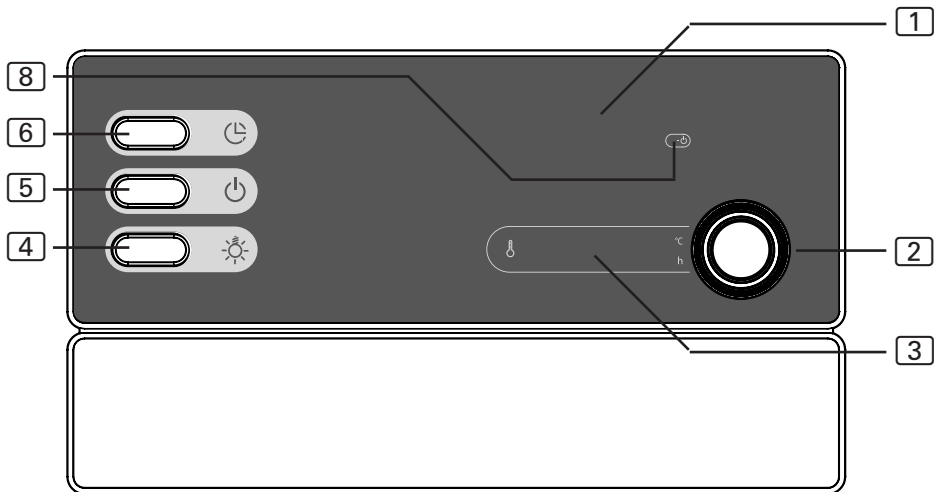
- Standaard bevindt de functiekeuzeschakelaar **8** zich in ON-stand. Dan wordt alleen de ingestelde temperatuur weergegeven.
- Als de temperatuur boven de kachel als werkelijke temperatuur moet worden weergegeven, de functieschakelaar **8** in de OFF-positie zetten.



Neem in acht dat de temperatuur boven de kachel altijd hoger is dan de temperatuur in het bereik van de zitbanken. Met de kacheltemperatuur als werkelijke temperatuur is de weergegeven temperatuur van de saunabesturing hoger dan de met de cabinethermometer gemeten temperatuur.

## 9. Bediening

### 9.1. Bedieningselementen



1 Aanvullende weergave

2 Temperatuurselector

3 Temperatuurweergave

4 Lichtschakelaar

5 IN/UIT-schakelaar

6 Voorselectietijd-toets

8 Weergave startfunctie op afstand

### 9.2. Licht inschakelen

Het licht in de saunacabine kan onafhankelijk van de AAN/UIT-schakelaar 5 worden in- en uitgeschakeld.

- Druk op de lichtschakelaar 4 om het licht in of uit te schakelen.

### 9.3. Saunabediening inschakelen



#### **WAARSCHUWING!**

#### **Brandgevaar**

Brandbare voorwerpen die op de hete saunakachel liggen, kunnen ontvlammen en brand veroorzaken.

- Leg **NOOIT** brandbare voorwerpen op de saunakachel.
- Controleer of **GEEN** brandbare voorwerpen op de saunakachel liggen, voordat u de saunabediening inschakelt.

- Druk de IN/UIT-schakelaar **[5]** in om de saunabediening in te schakelen.
  - ▶ In de temperatuurweergave **[3]** verschijnt gedurende enkele seconden „0”. Vervolgens wordt de actuele temperatuur in de cabine weergegeven. In modus met een voeler wordt de als laatste ingestelde moet-temperatuur weergegeven.

### 9.4. Sauna starten

1. Stel met de temperatuurselector **[2]** de gewenste temperatuur in.
  - ▶ De temperatuurselector **[2]** knippert en de ingestelde moet-temperatuur wordt in de temperatuurweergave **[3]** weergegeven.
2. Druk op de temperatuurselector **[2]**.
  - ▶ De saunakachel wordt ingeschakeld en begint te verwarmen.
  - ▶ In de temperatuurweergave **[3]** wordt de actuele temperatuur in de cabine weergegeven. In modus met een voeler wordt de moet-temperatuur weergegeven.

### 9.5. Moet-temperatuur wijzigen

U kunt tijdens bedrijf de ingestelde moet-temperatuur wijzigen.

- Draai de temperatuurselector **[2]** naar rechts om de temperatuur te verhogen. Draai de temperatuurselector **[2]** naar links om de temperatuur te verlagen.
  - ▶ De temperatuurselector **[2]** knippert en de ingestelde moet-temperatuur wordt in de temperatuurweergave **[3]** weergegeven.
  - ▶ Vervolgens wordt in de temperatuurweergave **[3]** weer de actuele temperatuur in de cabine weergegeven. In modus met een voeler wordt de moet-temperatuur weergegeven.

## 9.6. Voorselectietijd instellen



### WAARSCHUWING!

#### *Brandgevaar*

Brandbare voorwerpen die op de hete saunakachel liggen kunnen ontvlammen en brand veroorzaken.

- Leg **NOOIT** brandbare voorwerpen op de saunakachel.
- Controleer of **GEEN** brandbare voorwerpen op de saunakachel liggen, alvorens de voorselectietijdfunctie te activeren.

U kunt de voorselectietijd in 15-minuten-stappen instellen. De maximale voorselectietijd bedraagt 24 uur. De voorselectietijd wordt in uren en minuten weergegeven. Zo worden bijvoorbeeld 8 uur en 15 minuten als 8.15 weergegeven.

1. Start de saunakachel (zie punt **9.4. Sauna starten** op pagina **24**).
2. Druk op de voorselectietoets **[6]**.
  - ▶ De temperatuurselector **[2]** knippert en in de temperatuurweergave **[3]** wordt de als laatste ingestelde voorselectietijd weergegeven.
3. Druk op de voorselectietoets **[6]** om de voorselectietijd in 15-minuten-stappen te verhogen.
4. Als de gewenste voorselectietijd is bereikt, dient u enkele seconden te wachten.
  - ▶ De saunabediening wisselt naar de stand-bymodus en de timer loopt.
  - ▶ In de temperatuurweergave **[3]** wordt de resterende voorselectietijd weergegeven. De temperatuurselector **[2]** knippert.
  - ▶ Na afloop van de voorselectietijd wordt de saunakachel ingeschakeld.

## 9.7. Voorselectietijdfunctie annuleren

- Druk gedurende drie seconden (longpress) op de voorselectietijdtoets **6** om de voorselectietijdfunctie te annuleren.
  - ▶ Het aflopen van de voorselectietijd wordt geannuleerd.
  - ▶ In de temperatuurweergave **3** wordt de actuele temperatuur in de cabine weergegeven. In modus met een voeler wordt de moet-temperatuur weergegeven.



De laatst ingestelde voorkeuzetijd wordt opgeslagen; zo kan met slechts een druk op de knop de laatste waarde worden opgeroepen. Om de voorselectietijd op 00:00 terug te zetten, drukt u drie seconden (longpress) op de voorkeuzetijd-toets

## 9.8. Stand-by voor bediening op afstand activeren

Conform EN 60335-2-53 moeten saunabesturingen met startfunctie op afstand handmatig op de bedrijfsmodus „Stand-by voor bediening op afstand” worden gezet. Deze activering moet na elke start en stop op afstand opnieuw worden uitgevoerd. Voer hiervoor de volgende stappen uit:

1. Druk gedurende drie seconden (longpress) op de temperatuurselector **2**.
  - ▶ De weergave van startfunctie op afstand **8** begint te knipperen.
  - ▶ De saunabesturing is nu klaar om via een signaal op afstand te worden gestart en gestopt.
  - ▶ Na uitgevoerde start en stop op afstand gaat de weergave startfunctie op afstand uit en moet de bedrijfsmodus opnieuw worden geactiveerd.

## 9.9. Saunabediening uitschakelen

1. Druk op de temperatuurselector **2**.
  - ▶ De saunakachel wordt uitgeschakeld.
2. Druk op de IN/UIT-schakelaar **5** in om de saunabediening uit te schakelen.
  - ▶ De temperatuurweergave **3** verdwijnt.
  - ▶ De saunabediening is uitgeschakeld.

## 10. Reinigen en onderhoud

### 10.1. Reinigen

#### ATTENTIE!

#### **Schade aan het apparaat**

De saunabediening is spatwaterdicht, toch kan rechtstreeks contact met water het apparaat echter beschadigen.

- Dompel het apparaat **NOOIT** onder in water.
- Giet geen water over het apparaat.
- Reinig het apparaat niet te nat.

1. Drenk een reinigingsdoek in een zachte zeepoplossing.
2. Wring de reinigingsdoek goed uit.
3. Wis de behuizing van de saunabediening voorzichtig schoon.

### 10.2. Onderhoud

De saunabediening behoeft geen onderhoud.

## 11. Afvoer



- Voer het verpakkingsmateriaal af volgens de geldende afvoer-richtlijnen.
- Oude apparaten bevatten opnieuw bruikbare materialen maar ook schadelijke stoffen. Deponeer uw oude apparaat daarom in geen geval bij het gewone afval, maar voer het apparaat af volgens de plaatselijk geldende voorschriften.

## 12. Probleemoplossing

### 12.1. Foutmeldingen

De saunabediening is uitgerust met diagnosesoftware die de systeemtoestanden controleert bij inschakeling en tijdens het bedrijf. Zodra de diagnosesoftware een fout vaststelt, schakelt de saunabediening de saunakachel uit.

Fouten worden door een herhaaldelijke, akoestische waarschuwinstoon en door knipperen van de temperatuurselector **3** weergegeven. Bovendien wordt in de aanvullende weergave **1** de tekst „Err” weergegeven. In de temperatuurweergave **3** wordt het foutnummer weergegeven.

Schakel de saunabediening met de IN/UIT-schakelaar **5** uit en los de fout op voordat u de saunabediening weer inschakelt.

De volgende tabel beschrijft de mogelijke fouten en de oorzaak ervan. Indien nodig deelt u het foutnummer mee aan uw klantendienst.

<i>Fouten</i>	<i>Omschrijving</i>	<i>Oorzaak / oplossing</i>
01	Veiligheidsuitschakeling	Er ligt een voorwerp op de saunakachel. Neem dit weg voordat u de saunakachel weer gebruikt.  Neem „5.6. Veiligheidsuitschakeling aansluiten” op pagina 16 in acht, indien er geen veiligheidsuitschakeling is gemonteerd.
02	Veiligheidstemperatuur-begrenzer	De maximale temperatuur van 139 °C boven de kachel werd overschreden.
04F1	Fout kachelvoeler	Defecte kachelvoeler, slecht contact of kortsluiting
06F2	Fout bankvoeler	Defecte bankvoeler, slecht contact of kortsluiting

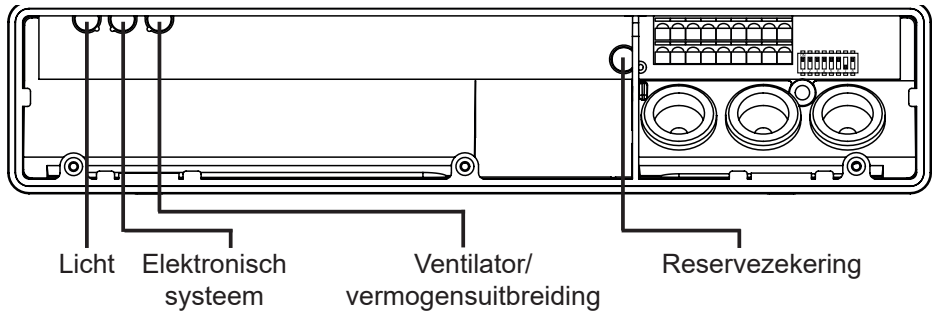


## 12.2. Zekeringen

In het aansluitbereik van de saunabesturing bevinden zich zekeringen voor licht, ventilator/vermogensuitbreiding en het elektronische systeem alsmede een reservezekering.

Dit zijn trage microzekeringen van 1A.

Ze kunnen worden besteld onder het artikelnummer PRO-FUSE.



Voor het vervangen van de zekering de zekeringhouder recht lostrekken en de nieuwe zekering plaatsen.

## 13. Technische gegevens

### **Omgevingsomstandigheden**

---

Opslagtemperatuur:	-25 °C tot +70 °C
Omgevingstemperatuur:	-10 °C tot +40 °C
Luchtvochtigheid:	max. 95%

### **Saunabediening**

---

Afmetingen:	307 x 175 x 57 mm
Schakelspanning / driefasig 3N:	400 V AC
Frequentie:	50 Hz
Schakelvermogen / verwarmingsapparaat:	3 x 3,5 kW
Schakelstroom per fase / verwarmingsapparaat:	16 A
Nominale spanning:	230 V
Beschermingsklasse (spatwaterdicht):	IPX4
Aansluiting op het voedingsnet als vaste bekabeling (vaste aansluiting)	

### **Licht**

---

Schakelvermogen:	100 W
Zekering:	1A T

### **Instelbereiken**

---

Temperatuur:	30 °C tot 110 °C
--------------	------------------

### **Thermische veiligheid**

---

Kachelvoeler met oververhittingsbeveiliging (139 °C uitschakeltemperatuur)  
Automatische begrenzing van de verwarmingstijd instelbaar (6 u, 12 u, 18 u, 24 u)\*  
Naar wens bediening met een of twee voelers

### **Aansluitkabels**

---

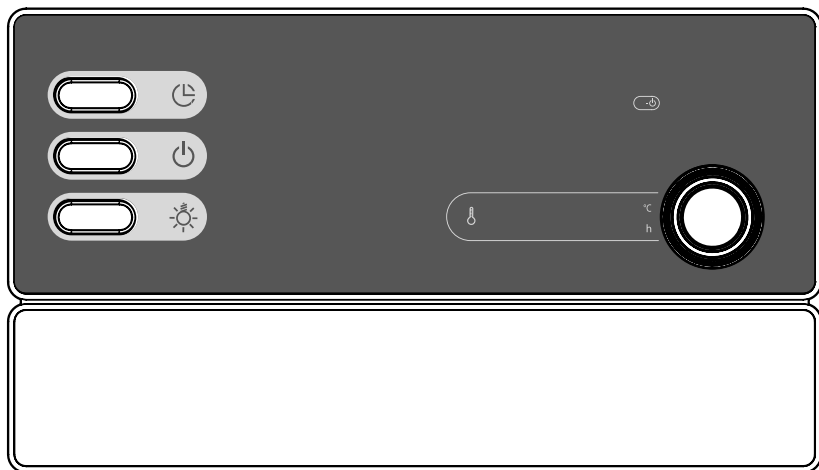
Stroomtoevoerleiding:	min. 5 x 2,5 mm <sup>2</sup>
Kacheltoevoerleiding (temperatuurbestendig tot 150 °C):	min. 2,5 mm <sup>2</sup>
Voelerskabels (temperatuurbestendig tot 150 °C):	min. 0,5 mm <sup>2</sup>
Lichtkabel:	min. 1,5 mm <sup>2</sup>

\* EN 60335-2-53 schrijft voor privésauna's een begrenzing van de verwarmingstijd van 6 u voor. Voor sauna's in hotels, woonblokken en dergelijke is een verwarmingstijdbegrenzing van maximaal 12 u toegestaan. De uitbreiding van de verwarmingstijdbegrenzing tot 18 u of 24 u is alleen in publieke sauna's toegestaan.

# Styrenhet för bastu

## PRO B2

MONTERINGS- OCH BRUKSANVISNING  
Svenska



SV

PRO-B2 / 1-015-455

# Innehållsförteckning

<b>1. Om monterings- och bruksanvisningen</b>	<b>4</b>
<b>2. Viktig säkerhetsinformation</b>	<b>5</b>
2.1. Ändamålsenlig användning	5
2.2. Säkerhetsanvisningar för användaren	7
<b>3. Produktbeskrivning</b>	<b>8</b>
3.1. Leveransens innehåll	8
3.2. Tillbehör	8
3.3. Funktioner	8
3.4. Driftsätt-givare	9
<b>4. Montering</b>	<b>10</b>
4.1. Montera styrenhet	10
4.2. Montera aggregatgivare F1 med övertemperaturskydd	12
4.3. Montera bänkgivare F2 (tillval)	13
<b>5. Elanslutning</b>	<b>14</b>
5.1. Ansluta försörjningsledning och aggregatledning	15
5.2. Ansluta belysning	15
5.3. Ansluta effektförstärkning (tillval)	16
5.4. Ansluta aggregatgivare F1	16
5.5. Ansluta bänkgivare F2 (tillval)	16
5.6. Ansluta säkerhetsavstängning	16
5.7. Fjärrstart	17
5.8. Avsluta installationen	17
<b>6. Genomföra kontroller</b>	<b>18</b>
<b>7. Kopplingschema</b>	<b>20</b>

# Innehållsförteckning

<b>8. Idrifttagning</b>	<b>21</b>
8.1. Ställa in värme-tidsbegränsning	21
8.2. Aktivera/avaktivera separat fasstyrning	22
8.3. Fjärrstart frisättning	22
8.4. Aktivera/avaktivera drift med en givare	22
8.5. Visa aggregattemperatur vid drift med en givare	22
<b>9. Användning</b>	<b>23</b>
9.1. Kontrollelement/display	23
9.2. Slå på belysningen	23
9.3. Slå på styrenheten	24
9.4. Starta bastun	24
9.5. Ändra bör-temperatur	24
9.6. Ställa in timer	25
9.7. Avbryta timer	26
9.8. Aktivera standbyläge för fjärrfunktion	26
9.9. Stänga av styrenheten	26
<b>10. Rengöring och underhåll</b>	<b>27</b>
10.1. Rengöring	27
10.2. Underhåll	27
<b>11. Kassering</b>	<b>27</b>
<b>12. Problemlösningar</b>	<b>28</b>
12.1. Felmeddelanden	28
12.2. Säkringar	29
<b>13. Tekniska data</b>	<b>30</b>

# 1. Om monterings- och bruksanvisningen

Läs hela monterings- och bruksanvisningen noga och förvara den sedan i närheten av styrenheten. Du kan då när som helst läsa de specifika säkerhets- och användningsanvisningarna.



Den här monterings- och bruksanvisningen kan även laddas ner från vår webbsida, [www.sentiotec.com/downloads](http://www.sentiotec.com/downloads).

## **Symboler och varningar**

I den här monterings- och bruksanvisningen används olika varningssymboler vid avsnitt som beskriver situationer som kan medföra fara eller risker av olika slag. Dessa varningar ska alltid beaktas. På så sätt undviker man sakskador och personskador som i värsta fall kan ha dödlig utgång.

Följande signalord används:



### **FARA!**

Om de här varningarna/anvisningarna inte följs kan det leda till allvarliga eller livsfarliga skador.



### **VARNING!**

Om de här varningarna/anvisningarna inte följs kan det leda till allvarliga eller livsfarliga skador.



### **FÖRSIKTIGHET!**

Om de här varningarna/anvisningarna inte följs kan det leda till lindriga skador.

### **AKTA!**

Varnar för sakskador.

## **Övriga symboler**



Används vid tips och nyttig information.

## 2. Viktig säkerhetsinformation

Styrenheten Pro B2 har konstruerats och tillverkats enligt vedertagna säkerhetstekniska regler. Det kan ändå uppstå vissa risker under användningen. Följ alltid nedanstående säkerhetsanvisningar och observera de särskilda varningarna i resp. kapitel. Observera även säkerhetsanvisningarna till anslutna apparater.

### 2.1. Ändamålsenlig användning

Styrenheten Pro B2 ska endast användas för att styra och reglera funktionerna enligt tekniska data.

Styrenheten Pro B2 får endast användas till att reglera ett bastuaggregat som har klarat ett övertäckningstest enligt 19.101 i EN 60335-2-53. Om man inte kan uppfylla det här villkoret med aggregatet måste man vidta lämpliga säkerhetsförebyggande åtgärder (t.ex. genomföra en säkerhetsavstängning, se **5.6** på sidan **16**).

Styrenheten Pro B2 får endast användas för att styra och reglera 3 värmekretsar med en värmeeffekt på max. 3,5 kW per värmekrets.

All annan användning betraktas som ej ändamålsenlig. Ej ändamålsenlig användning kan leda till skador på produkten och innebära risk för allvarliga eller livsfarliga skador.

## Säkerhetsanvisningar för installatören

- Montering/installation får endast utföras av elektriker eller en person med likvärdiga kvalifikationer.
- Arbeten på bastustyrningen får endast göras i spänningsfritt tillstånd.
- På plats ska en allpolig fränkskiljare med komplett avstängning enligt överspänningskategori III installeras.
- Styrenheten ska monteras utanför bastun på ca 1,70 meters höjd eller enligt rekommendationen från bastuns tillverkare. Omgivningstemperaturen måste ligga inom området -10 °C och 40 °C.
- Aggregatgivaren ska monteras så att den inte påverkas av inströmmande luft.
- Ledningen till aggregatet måste ha en kabelarea på minst 2,5 mm<sup>2</sup> och vara temperaturbeständig upp till 150 °C.
- Följ gällande lokala bestämmelser.
- Om det uppstår problem som inte beskrivs tillräckligt detaljerat i monteringsanvisningarna ska du vända dig till leverantören/återförsäljaren för din egen säkerhets skull.



## 2.2. Säkerhetsanvisningar för användaren

- Barn under 8 år får inte använda styrenheten.
- Under följande förutsättningar får styrenheten användas av barn över 8 år, av personer med nedsatt psykisk, sensorisk eller mental förmåga och av personer som saknar erfarenhet och kunskap under följande förutsättningar:
  - under uppsikt.
  - när de har instruerats om säker användning och känner till vilka risker som kan uppstå.
- Barn får inte leka med styrenheten.
- Barn under 14 år får endast rengöra styrenheten under uppsikt.
- Av hälsoskäl bör man inte bada bastu när man är påverkad av alkohol, läkemedel eller droger.
- Kontrollera att det inte finns några brännbara föremål på bastuaggregatet innan styrenheten slås på.
- Kontrollera att det inte finns några brännbara föremål på bastuaggregatet innan du aktiverar timerfunktionen eller standbyläget för fjärrstart.
- Om det uppstår problem som inte beskrivs tillräckligt detaljerat i bruksanvisningen ska du vända dig till leverantören/återförsäljaren för din egen säkerhets skull.

## 3. Produktbeskrivning

### 3.1. Leveransens innehåll

- Styrenhet för bastu
- Aggregatgivare med integrerat övertemperaturskydd
- Givarkablar
- Monteringsmaterial

### 3.2. Tillbehör

- Bänkgivare (artikelnummer: O-F2)
- Effektförstärkning (artikelnummer: O-S2-18 / O-S2-30)
- Säkerhetsavstängning (artikelnummer: SFE-xxxxx)
- Webbserver pronet (Artikelnummer: PRO-NET)

### 3.3. Funktioner

Styrenheten Pro B2 har följande funktioner:

- Reglering av bastuaggregat på upp till 10,5 kW i ett temperaturområde på mellan 30 °C och 110 °C.
- Med en effektförstärkning kan max. bryteffekt ökas från 10,5 kW till 18 kW eller 30 kW.
- Fjärrstartfunktion
- Timer (upp till 24 timmar)
- Automatisk värme-tidsbegränsning  
Styrenheten stängs av automatiskt när max. uppvärmningstid har löpt ut. Max. uppvärmningstid kan ställas in på 6 h, 12 h, 18 h eller 24 h.
- Övertemperatursäkring  
Övertemperatursäkringen sitter i aggregatgivarens hölje. Om bastuaggregatet fortsätter att värma efter att inställd temperatur har nåtts stänger övertemperatursäkringen av bastuaggregatet automatiskt vid cirka 139 °C.

### 3.4. Driftsätt-givare

Styrenheten kan drivas med en eller två temperaturgivare.

#### ***Drift med en givare (F1)***

Drift med en givare måste aktiveras vid idrifttagning (se **8.3. Aktivera/avaktivera drift med en givare på sidan 22**).

I drift med en givare drivs styrenheten endast med aggregatgivaren med övertemperaturskydd (F1-givare). I drift med en givare visar styrenheten endast avsedd temperatur. År-temperatur visas inte. När styrenheten ska visa temperaturen ovanför aggregatet vid drift med en givare (F1-givare) som år-temperatur måste detta aktiveras vid idrifttagningen (se **8.4. Visa aggregattemperatur vid drift med en givare på sidan 22**).

#### ***Drift med två givare (F2)***

I drift med två givare monteras en andra temperaturgivare (bänkgivare) ovanför den bakre bastubänken. Styrenheten visar temperaturen från bänkgivaren som faktisk temperatur.

## 4. Montering

### 4.1. Montera styrenhet

---

#### **AKTA!**

##### ***Skador på produkten***

Styrenheten är skyddad mot stänkvatten, men den kan skadas vid direkt kontakt med vatten.

- Montera styrenheten på ett torrt ställe där max. luftfuktigheten aldrig överskrider 95 %.
- 

#### **OBS!**

##### ***Störkällor kan påverka signalöverföringen***

- Dra alla givarledningar separat från andra nätledningar och styrledningar.
  - Isolerade ledningar skyddas enkelt med ett rör (dubbel isolering).
- 

Observera följande punkter vid montering av styrenheten:

- Styrenheten ska monteras utanför bastun eller enligt rekommendationen från bastuns tillverkare.
- Omgivningstemperaturen måste ligga inom området  $-10\text{ °C}$  till  $+40\text{ °C}$ .
- Alla givare får endast anslutas med de bifogade givarledningarna som är temperaturbeständiga upp till  $150\text{ °C}$ .



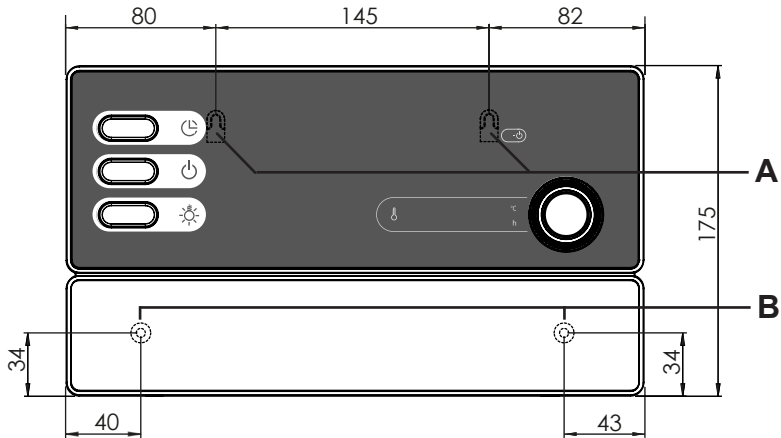
---

Givarledningar får endast förlängas under följande förutsättningar:

- En värmebeständig (upp till  $150\text{ °C}$ ) silikonkabel används.
  - Min. kabelarea är  $0,5\text{ mm}^2$ .
  - Kablarna till aggregatgivaren får INTE vara längre än 10 m.
-

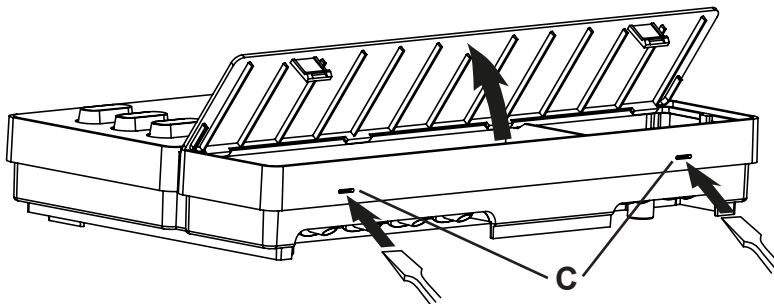
Gå igenom följande steg för att montera styrenheten:

1. Skruva in två stjärnskruvar (16 mm) på ca 1,70 m höjd i bastuväggen tills 7 mm sticker ut. De båda skruvarna måste ha ett avstånd på 145 mm (se Abb.1).
2. Tryck in klämlåsen **C** med en skruvmejsel och ta av locket (se Abb.2).



**Bild1** Position på upphängningsanordningen och monteringshålen (mått i mm)

3. Häng upp styrenheten i upphängningsanordningen **A** på de inskruvade skruvarna (se Abb.1).
4. Skruva in två stjärnskruvar (16 mm) i de nedre hålen **B** (se Abb.1).



**Bild2** Ta av locket

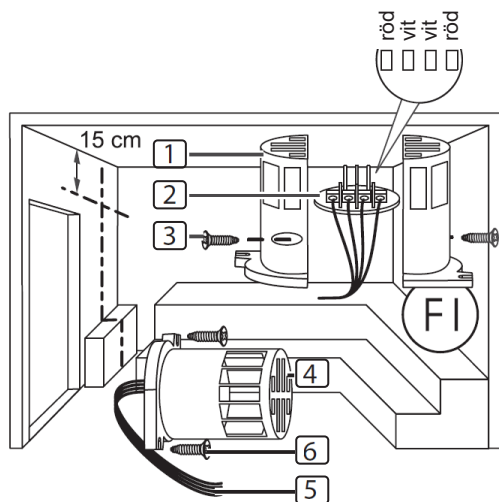
## 4.2. Montera aggregatgivare F1 med övertemperaturskydd

Observera följande punkter vid montering av aggregatgivaren:

- Aggregatgivaren ska monteras på aggregatets baksida ovanför mitten av aggregatet. Den måste sitta minst 15 cm från bastuns tak.
- Aggregatgivaren ska monteras så att den inte påverkas av inströmmande luft.

Gå igenom följande steg för att montera aggregatgivaren (se **Bild3**):

1. Dra de båda tvåpoliga aggregatgivarledningarna genom bastuväggen till aggregatgivarens monteringsplats och fixera dem med kabelklämmor.
2. Sära på aggregatgivarens halvskal **1**.
3. Kläm fast aggregatgivarledningens **5** fyra anslutningar enligt **Bild3**.
4. Lägg anslutningsplattan **2** på tvären (enligt **Bild3**) i aggregatgivarens halvskal.
5. Stäng halvskalen, fixera med de båda stjärnskruvarna **3** (9 mm) och kontrollera att aggregatgivaren sitter fast ordentligt.
6. Montera aggregatgivaren på aggregatets baksida med de båda bifogade träskruvarna **6** (16 mm).



- 1** Aggregatgivarens halvskal
- 2** Anslutningsplatta
- 3** Stjärnskruvar (9 mm)
- 4** Aggregatgivare
- 5** Kablar till aggregatgivare
- 6** Träskruvar (16 mm)

**Bild3** Montera aggregatgivare

### 4.3. Montera bänkgivare F2 (tillval)

Bänkgivaren ska monteras på bastuväggen ovanför den bakre bastubänken. Den måste sitta minst 15 cm från bastuns tak.

Gå igenom följande steg för att montera bänkgivaren:

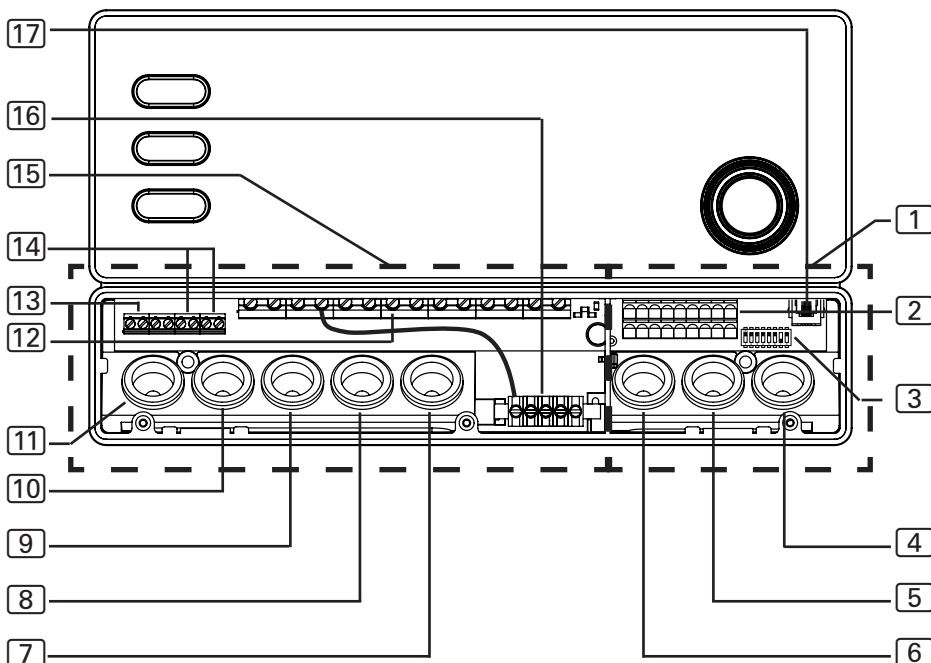
1. Dra den tvåpoliga bänkgivarledningen genom bastuväggen till bänkgivarens monteringsplats och fixera med kabelklämmor.
2. Sära på bänkgivarens halvskal.
3. Kläm fast bänkgivarledningens båda anslutningar på anslutningsplattans båda mellersta klämmor.
4. Lägg anslutningsplattan på tvären i bänkgivarens halvskal.
5. Stäng halvskalen och fixera med de båda stjärnskruvarna (9 mm).
6. Kontrollera att bänkgivaren sitter fast ordentligt.
7. Montera bänkgivaren på bastuväggen med de båda bifogade träskruvarna (16 mm). Avståndet till bastuns tak ska vara minst 15 cm.

## 5. Elanslutning

### OBS!

#### Skador på produkten

- Styrenheten får endast användas för att styra och reglera 3 värmekretsar med en värmeeffekt på max. 3,5 kW per värmekrets.



- |   |  |
|---|--|
| 1 Anslutningsområde för lågspänning                                     | 9 Kabelhål för försörjningsledning                     |
| 2 Kopplingslist för säkerhetsavstängning, fjärrstart och givarledningar | 10 Kabelhål för effektförstärkning                     |
| 3 Funktionsomkopplare   | 11 Kabelhål för belysning                              |
| 4 Kabelhål för F2-givare  | 12 Kopplingslist för aggregat- och försörjningsledning |
| 5 Kabelhål för F1-givare  | 13 Kopplingslist för belysning                         |
| 6 Kabelhål för säkerhetsavstängning och fjärrstart                      | 14 Kopplingslist för effektförstärkning                |
| 7 Kabelhål (används inte)   | 15 Anslutningsområde för 230 V/400 V                   |
| 8 Kabelhål för aggregatledning  | 16 Jordledning   |
|   | 17 RJ45-uttag till RS-485 och pronet                   |



Observera följande punkter vid elektrisk anslutning av styrenheten:

- Montering/installation får endast utföras av elektriker eller en person med likvärdiga kvalifikationer.



Observera: vid garantianspråk ska en kopia på fakturan från den elektriker som har utfört arbetet bifogas.

- Arbeten på bastuns styrenhet får endast göras i spänningsfritt tillstånd.
- Den elektriska anslutningen måste vara en fast anslutning.
- På plats ska en allpolig frånskiljare med komplett avstängning enligt över-spänningskategori III installeras.
- Observera elschemat (**Bild4**) på sidan **20**.

## 5.1. Ansluta försörjningsledning och aggregatledning

1. Dra försörjningsledning och aggregatledning genom hålen **9** och **8** till anslutningsområdet för 230 V/400 V **15**.
2. Anslut ledningen till kopplingslisten **12** enligt elschemat. Observera bruksanvisningen till respektive apparat.

## 5.2. Ansluta belysning

1. Dra belysningsledningen genom hålet **11** till anslutningsområdet för 230 V/400 V **15**.
2. Anslut belysningsledningen till kopplingslisten **13** enligt elschemat. Observera bruksanvisningen till respektive apparat.

### 5.3. Ansluta effektförstärkning (tillval)

1. Dra ledningen för effektförstärkning genom hålet [10] till anslutningsområdet för 230 V/400 V [15].
2. Anslut ledningen för effektförstärkning till kopplingslisten [14] enligt elschemat. Använd klämma "ST1" för säkerhetskretsen och klämma "ST2" för styrkretsen. Observera bruksanvisningen till respektive apparat.

### 5.4. Ansluta aggregatgivare F1

1. Dra aggregatgivarens anslutningsledningar genom hålet [5] till anslutningsområdet för lågspänning [1].
2. Anslut de röda aggregatgivarledningarna till klämmorna med texten "STB" på kopplingslisten [2].
3. Anslut de vita aggregatgivarledningarna till klämmorna med texten "F1" på kopplingslisten [2].

### 5.5. Ansluta bänkgivare F2 (tillval)

1. Dra bänkgivarens anslutningsledningar genom hålet [4] till anslutningsområdet för lågspänning [1].
2. Anslut bänkgivarens ledningar till klämmorna med texten "F2" på kopplingslisten [2].

### 5.6. Ansluta säkerhetsavstängning

Enligt EN 60335-2-53 får bastustyrenheter med fjärrstyrning endast användas för bastuaggregat som har genomgått och klarat ett övertäckningstest enligt avsnitt 19.101. Alternativt kan en säkerhetsavstängning installeras ovanför eller i aggregatet. Den stänger av aggregatet när föremål, t.ex. en handduk, ligger på aggregatet.

Gå igenom följande steg för att montera säkerhetsavstängningen:

1. Montera säkerhetsavstängningen enligt dess bruksanvisning.
2. Dra säkerhetsavstängningens anslutningsledningar genom hålet **6** till anslutningsområdet för lågspänning **1**.
3. Anslut ledningarna till klämmorna med texten "**OSG**" på kopplingslisten **2**.



Om ingen säkerhetsavstängning monteras måste en bryggkoppling sättas vid klämmor som är märkta med **OSG**.

## 5.7. Fjärrstart

Anslutningen ska göras via klämmorna "**S**" och "**B**". "**S**" står för bastudrift. "**B**" är en +24 V DC-utgång. Den måste kopplas via en brytare eller aktuator till klämman "**S**".

## 5.8. Avsluta installationen

1. Anslut försörjningsledningens skyddsledare och alla apparater till jordningen **16**.
2. Sätt locket på anslutningsboxens överkant.
3. Tryck in klämlåsen lätt och tryck ner locket tills det klickar fast.

## 6. Genomföra kontroller

Följande kontroller måste genomföras av en behörig elektriker.



### **VARNING!**

**Följande kontroller genomförs med strömmen påslagen. Risk för strömstötar.**

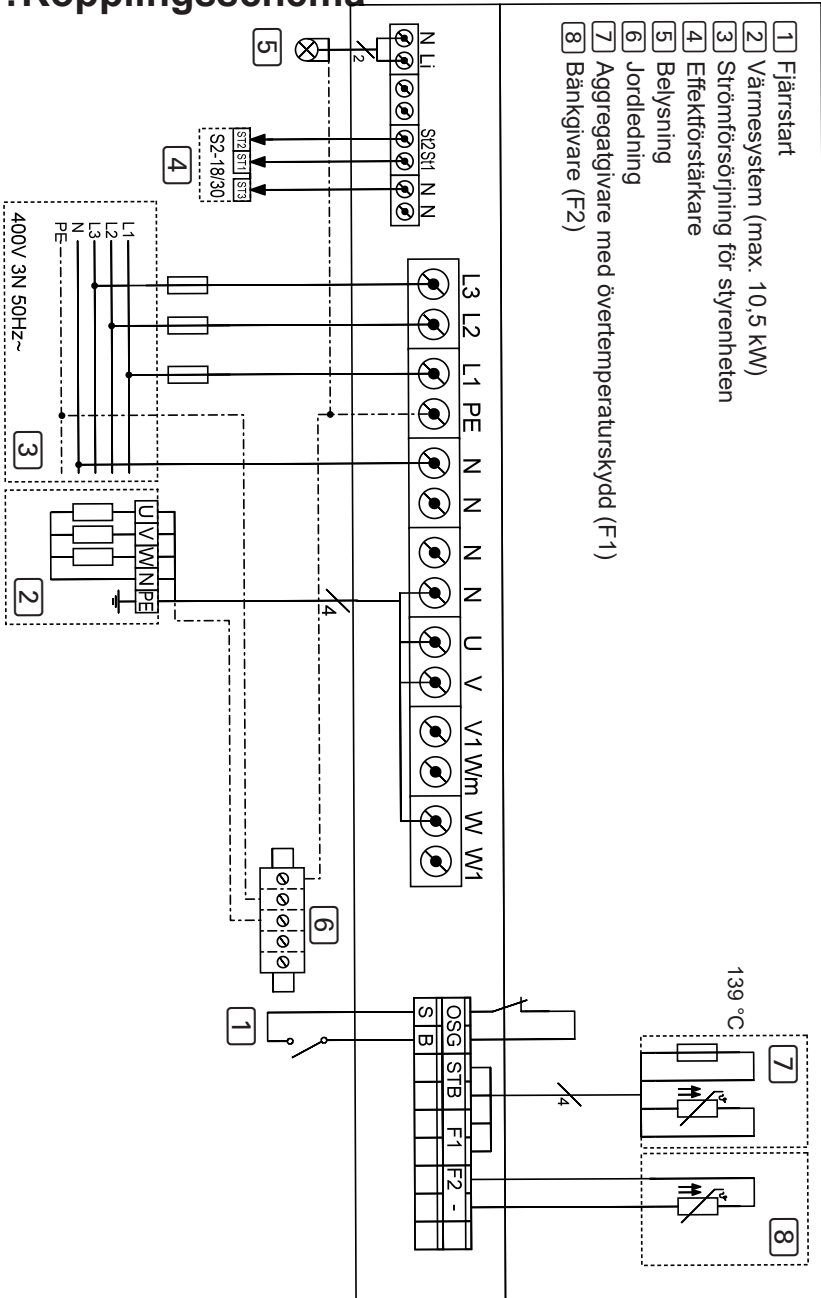
- Vidrör ALDRIG spänningsförande delar.
- 

1. Kontrollera jordledningarnas kontakt på skyddsledaranslutningen.
2. Kontrollera F1-aggregatgivarens övertemperaturskydd.
  - a. Slå på styrenheten.
  - b. Öppna aggregatgivaren och koppla bort en av de två röda givarkablarna.
    - ▶ På den övre displayen visas "Err", på den nedre displayen visas "02" och styrenheten stänger av aggregatet.
  - c. Stäng av styrenheten.
  - d. Anslut den röda givarkabeln igen.
  - e. Koppla nu bort en av de vita givarkablarna.
  - f. Slå på styrenheten.
    - ▶ På den övre displayen visas "Err", på den nedre displayen visas "04F1" och styrenheten stänger av aggregatet.
  - g. Stäng av styrenheten.
  - h. Anslut den vita givarkabeln igen.
3. Kontrollera fasgenomkopplingen för bastu-driften L1, L2, L3 till U, V, W.
4. Kontrollera max. tillåten värmeeffekt på styrenheten, 3,5 kW för varje fas.

5. Vid alternativ effektförstärkning
  - a. Kontrollera styrledningarna ST1, ST2 och ST3.
  - b. Kontrollera max. tillåten värmeeffekt på effektförstärkningen S2-18, 3 kW på varje fas.
  - c. Kontrollera max. tillåten värmeeffekt på effektförstärkningen S2-30, 7 kW på varje fas.

## 7. Kopplingschema

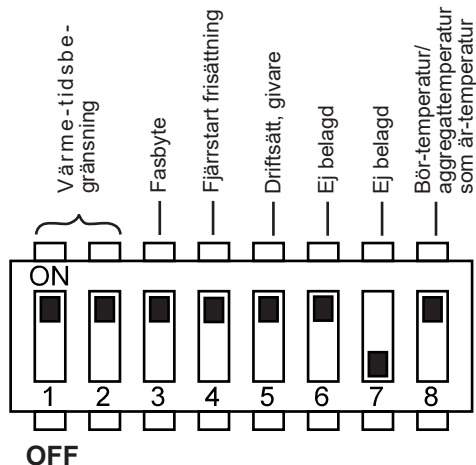
**Bild4 EIschema**



## 8. Idrifttagning

Olika produktfunktioner kan aktiveras via funktionsomkopplaren i anslutningsområdet för lågspänning. Bilden till höger visar funktionsomkopplarens standardinställning.

Observera att styrningen måste stängas av i 10 sekunder när man gjort ändringar för att inställningarna ska sparas.



**Bild5 Funktionsomkopplare - standardinställning**

### 8.1. Ställa in värme-tidsbegränsning

Max. uppvärmningstid är som standard inställd på 6 h. Styrenheten stängs av automatiskt när max. uppvärmningstid har löpt ut.

Funktionsomkopplaren i anslutningsområdet för lågspänning kan användas för att ställa in max. uppvärmningstid på 12 h, 18 h eller 24 h. Information om hur funktionsomkopplaren ska ställas in för detta hittar du i tabellen till höger.

<i>Funktionsomkopplare</i>	1	2
6 h	ON	ON
12 h	OFF	ON
18 h	ON	OFF
24 h	OFF	OFF



EN 60335-2-53 föreskriver en värme-tidsbegränsning på 6 h för privata bastur. På bastur i hotell, flerfamiljshus och liknande platser kan en värme-tidsbegränsning på 12 h användas. Endast på offentliga bastur kan värme-tidsbegränsning förlängas till 18 h eller 24 h.

## 8.2. Aktivera/avaktivera separat fasstyrning

Separat fasstyrning aktiveras/avaktiveras via funktionsomkopplaren **3**.

- Som standardinställning står funktionsomkopplaren **3** på ON-läge. Separat fasstyrning är därmed aktiverad.
- Om man vill avaktivera separat fasstyrning ska funktionsomkopplaren **3** ställas på OFF-läge.

## 8.3. Fjärrstart frisättning

Med hjälp av funktionsomkopplaren **4** kan man välja funktionen Fjärrstartsutgång (notera EN60335-2-53).

- Som standardinställning står funktionsomkopplaren **4** i ON-läge. Fjärrstarten manövreras med hjälp av "Standby för fjärrstyrning".
- Om du vill aktivera fjärrstartsutgången för olika enheter (som t.ex. myntkastet, fjärrstartsystemet, dörrövervakningen) ställer du funktionsomkopplaren **4** på OFF-läget.

## 8.4. Aktivera/avaktivera drift med en givare

I drift med en givare drivs styrenheten endast med aggregatgivaren med övertemperaturskydd (F1-givare). Drift med en givare måste aktiveras med funktionsomkopplaren **5**.

- Som standardinställning står funktionsomkopplaren **5** på ON-läge. Drift med två givare är därmed aktiverad.
- Om man vill aktivera drift med en givare ska funktionsomkopplaren **5** ställas på OFF-läge.

## 8.5. Visa aggregattemperatur vid drift med en givare

I drift med en givare visar styrenheten som standard endast avsedd temperatur. Är-temperatur visas inte. När styrenheten ska visa temperaturen ovanför aggregatet vid drift med en givare (F1-givare) som är-temperatur måste detta aktiveras med funktionsomkopplaren **8**.

- Som standardinställning står funktionsomkopplaren **8** på ON-läge. Nu visas endast bör-temperaturen.
- Om temperaturen ovanför aggregatet ska visas som är-temperatur, ställs funktionsomkopplaren **8** på OFF-läge.

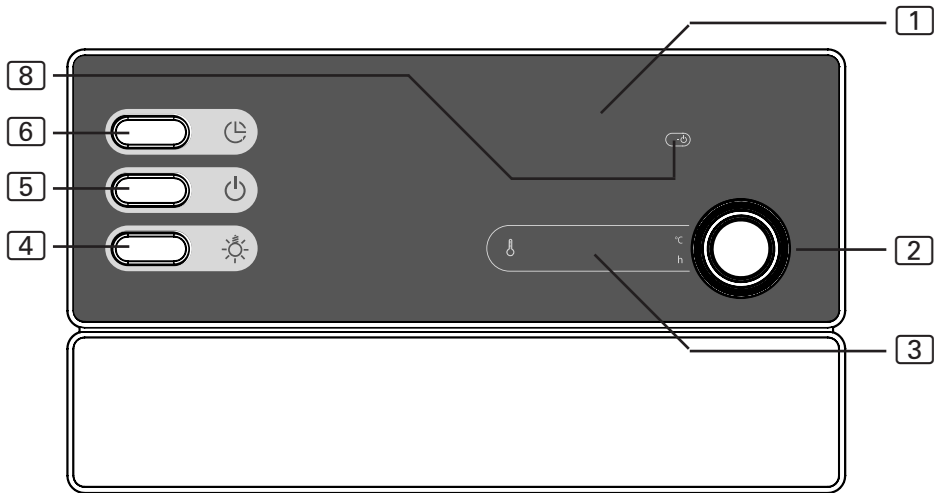


Observera att temperaturen ovanför aggregatet alltid är högre än vid bastubänkarna. Med aggregattemperatur som är-temperatur kommer den temperatur som styrenheten visar att vara högre än temperaturen på kabintermometern.



## 9. Användning

### 9.1. Kontrollelement/display



1 Extradisplay

2 Temperaturväljare

3 Temperaturdisplay

4 Belysningsknapp

5 PÅ/AV knapp

6 Timer-knapp

8 Fjärrstartdisplay

### 9.2. Slå på belysningen

Belysningen i bastun kan slås på/stängas av oberoende av PÅ/AV knappen 5.

- Tryck på belysningsknappen 4 för att slå på och stänga av belysningen.

### 9.3. Slå på styrenheten

**VARNING!****Brandrisk!**

Brännbara föremål som ligger på det varma bastuaggregatet kan antändas och orsaka eldsvåda.

- Lägg ALDRIG brännbara föremål på bastuaggregatet.
- Kontrollera att det INTE finns några brännbara föremål på bastuaggregatet innan styrenheten slås på.

- Tryck på PÅ/AV knappen **5** för att slå på styrenheten.
  - ▶ På temperaturdisplayen **3** visas "0" under några sekunder. Därefter visas den aktuella temperaturen i kabinen. I drift med en givare visas den senast inställda bör-temperaturen.

### 9.4. Starta bastun

1. Ställ in önskad temperatur med temperaturväljaren **2**.
  - ▶ Temperaturväljaren **2** blinkar och den inställda bör-temperaturen visas på temperaturdisplayen **3**.
2. Tryck på temperaturväljaren **2**.
  - ▶ Bastuaggregatet slås på och påbörjar uppvärmningen.
  - ▶ På temperaturdisplayen **3** visas den aktuella temperaturen i kabinen. I drift med en givare visas bör-temperaturen.

### 9.5. Ändra bör-temperatur

Under drift kan du när som helst ändra den inställda bör-temperaturen.

- Vrid temperaturväljaren **2** åt höger för att höja temperaturen.  
Vrid temperaturväljaren **2** åt vänster för att sänka temperaturen.
  - ▶ Temperaturväljaren **2** blinkar och den inställda bör-temperaturen visas på temperaturdisplayen **3**.
  - ▶ Därefter visas den aktuella kabintemperaturen på temperaturdisplayen **3**. I drift med en givare visas bör-temperaturen.

## 9.6. Ställa in timer



### **VARNING!**

#### **Brandrisk!**

Brännbara föremål som ligger på det varma bastuaggregatet kan antändas och orsaka eldsvåda.

- Lägg **ALDRIG** brännbara föremål på bastuaggregatet.
- Kontrollera att det **INTE** finns några brännbara föremål på bastuaggregatet innan du aktiverar timerfunktionen.

Du kan ställa in timertiden i steg på 15 minuter. Max. timertid är 24 timmar. Den förinställda tiden visas i timmar och minuter. Till exempel visas 8 timmar och 15 minuter som 8.15.

1. Starta bastuaggregatet (se punkt **9.4. Starta bastun** på sidan 24).
2. Tryck på timerknappen **6**.
  - ▶ Temperaturväljaren **2** blinkar och på temperaturdisplayen **3** visas den senast inställda tiden.
3. Tryck på timerknappen **6** för att öka den förinställda tiden i steg på 15 minuter.
4. Vänta några sekunder när önskad tid har ställts in.
  - ▶ Styrenheten övergår till standbyläge och timern går.
  - ▶ På temperaturdisplayen **3** visas återstående tid. Temperaturväljaren **2** blinkar.
  - ▶ När den förinställda tiden har löpt ut slås bastuaggregatet på.

## 9.7. Avbryta timer

- Tryck tre sekunder på timerknappen **[6]** för att avbryta timerfunktionen.
  - ▶ Den inställda timertiden avbryts.
  - ▶ På temperaturdisplayen **[3]** visas den aktuella temperaturen i kabinen. I drift med en givare visas bör-temperaturen.



Den senast inställda tiden sparas, sedan kan det senaste värdet tas fram med bara en knapptryckning. För att återställa tiden till 00:00, håller du timerknappen intryckt i tre sekunder.

## 9.8. Aktivera standbyläge för fjärrfunktion

Enligt EN 60335-2-53 måste bastustyrningar med fjärrstartfunktion sättas på driftläge "Standby för fjärrfunktion" manuellt. Funktionen måste aktiveras igen efter varje fjärrstart med fjärrstopp. Gör på följande sätt:

1. Håll temperaturväljaren **[2]** intryckt i tre sekunder.
  - ▶ Fjärrstartdisplayen **[8]** börjar blinka.
  - ▶ Styrenheten är nu klar att startas och stannas med en fjärrstartsignal.
  - ▶ Efter en fjärrstart med fjärrstopp slocknar fjärrstartdisplayen och drifttypen måste aktiveras igen.

## 9.9. Stänga av styrenheten

1. Tryck på temperaturväljaren **[2]**.
  - ▶ Bastuaggregatet är avstängd.
2. Tryck på PÅ/AV knappen **[5]** för att stänga av styrenheten.
  - ▶ Temperaturdisplayen **[3]** slocknar.
  - ▶ Styrenheten är avstängd.

## 10. Rengöring och underhåll

### 10.1. Rengöring

**AKTA!****Skador på produkten**

Styrenheten är skyddad mot stänkvatten, men den kan skadas vid direkt kontakt med vatten.

- Doppa ALDRIG apparaten i vatten.
- Håll ALDRIG vatten över apparaten.
- Rengör inte apparaten med för mycket vatten.

1. Doppa en trasa i mild tvållösning.
2. Vrid ur trasan ordentligt.
3. Torka försiktigt av styrenhetens hölje.

### 10.2. Underhåll

Styrenheten är underhållsfri.

## 11. Kassering



- Ta hand om förpackningsmaterialet enligt gällande bestämmelser.
- Enheterna innehåller både återvinningsbart material och skadliga ämnen. Släng inte en uttjänt produkt i hushållssoporna, utan lämna den till återvinning enligt gällande bestämmelser.

## 12. Problemlösningar

### 12.1. Felmeddelanden

Styrenheten är utrustad med diagnosmjukvara som kontrollerar systemet vid start och under drift. När diagnosmjukvaran registrerar ett fel stänger styrenheten av bastuaggregatet.

Vid fel ljuder en återkommande varningssignal och temperaturväljaren **3** blinkar. På extradisplayen **1** visas texten "Err". På temperaturdisplayen **3** visas felnumret.

Stäng av styrenheten med PÅ/AV knappen **5** och åtgärda felet innan styrenheten slås på igen.

Följande tabell beskriver möjliga fel och deras orsak. Informera kundtjänst om felnumret vid behov.

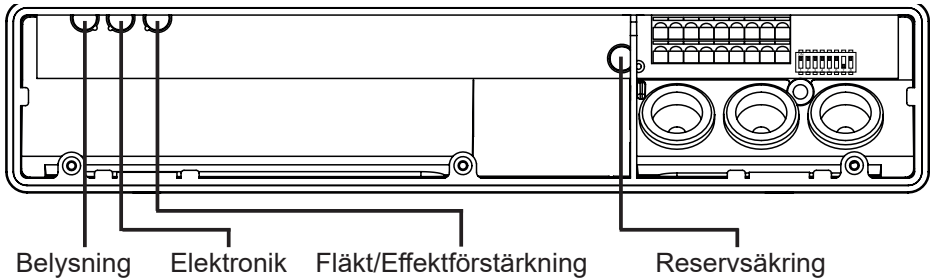
<i>Fel</i>	<i>Beskrivning</i>	<i>Orsak/åtgärd</i>
01	Säkerhetsavstängning	Ett föremål ligger på aggregatet. Ta bort föremålet innan aggregatet tas i drift igen.  Observera "5.6. Ansluta säkerhetsavstängning" på sidan 16 om ingen säkerhetsavstängning monterats.
02	Säkerhetstemperaturbe- gränsare	Den maximala temperaturen på 139 °C ovanför aggregatet överskreds.
04F1	Fel på aggregatgivaren	Defekt aggregatgivare, dålig kontakt eller kortslutning
06F2	Fel på bänkgivaren	Defekt bänkgivare, dålig kontakt eller kortslutning

## 12.2. Säkringar

Bland styrenhetens anslutningar finns säkringar till belysning, fläkt/effektförstärkning och elektronik samt en reservsäkring.

Det handlar om tröga 1A mikrosäkringar.

De här säkringarna kan beställas under artikelnummer PRO-FUSE.



För att byta säkring drar du insatsen rakt utåt och sätter sedan in en ny säkring.

## 13. Tekniska data

### **Omgivningsförhållanden**

Förvaringstemperatur:	-25 °C till +70 °C
Omgivningstemperatur:	-10 °C till +40 °C
Luftfuktighet:	max. 95 %

### **Styrenhet för bastu**

Mått:	307 x 175 x 57 mm
Brytspänning/trefas 3N:	400 V AC
Frekvens:	50 Hz
Bryteffekt/värmeapparat:	3 x 3,5 kW
Brytström per fas/värmeapparat:	16 A
Märkspänning:	230 V
Skyddsklass (stänkvattenskyddad):	IPX4
Anslutning till elnätet som fast anslutning	

### **Belysning**

Bryteffekt:	100 W
Säkring:	1A T

### **Inställningsområde**

Temperatur:	30 °C till 110 °C
-------------	-------------------

### **Termisk säkerhet**

Aggregatgivare med övertemperaturskydd (139 °C avstängningstemperatur)  
Automatisk värme-tidsbegränsning kan ställas in (6 h, 12 h, 18 h, 24 h)\*  
Drift med en eller två givare

### **Anslutningsledning**

Elkabel:	min. 5 x 2,5 mm <sup>2</sup>
Ledning till aggregatet (temperaturbeständig upp till 150 °C):	Min. 2,5 mm <sup>2</sup>
Ledningar till givare (temperaturbeständiga upp till 150 °C):	Min. 0,5 mm <sup>2</sup>
Belysningskabel:	mn. 1,5 mm <sup>2</sup>

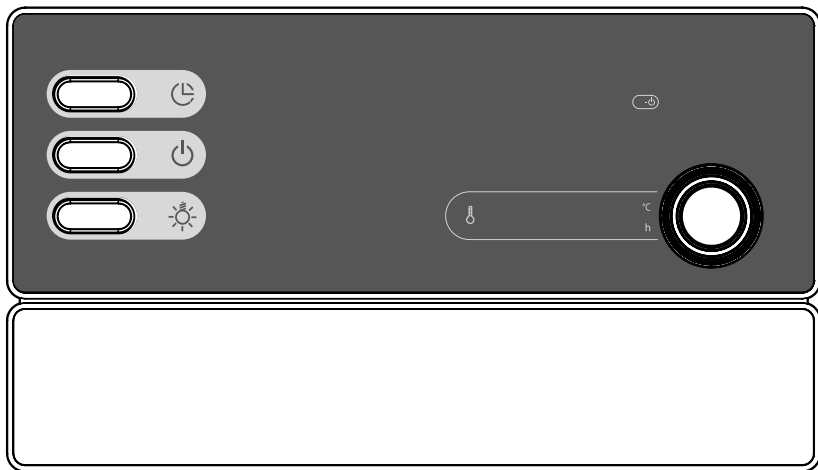
\* EN 60335-2-53 föreskriver en värme-tidsbegränsning på 6 h för privata bastur. På bastur i hotell, flerfamiljshus och liknande platser kan en värme-tidsbegränsning på 12 h användas. Endast på offentliga bastur kan värme-tidsbegränsning förlängas till 18 h eller 24 h.



# Saunaohjain

## PRO B2

ASENNUS- JA KÄYTTÖOHJEET  
Suomi



FI

PRO-B2 / 1-015-455

# Sisällysluettelo

<b>1. Sananen näistä ohjeista</b>	<b>4</b>
<b>2. TÄRKEITÄ OHJEITA turvallisuutesi varmistamiseksi</b>	<b>5</b>
2.1. Käyttötarkoitus	5
2.2. Turvaohjeita asentajalle	6
2.3. Turvaohjeita käyttäjälle	7
<b>3. Tuotekuvaus</b>	<b>8</b>
3.1. Toimituskokonaisuus	8
3.2. Valinnaiset lisätarvikkeet	8
3.3. Tuotteen toiminnot	8
3.4. Anturikäyttötavat	9
<b>4. Asennus</b>	<b>10</b>
4.1. Saunaohjaimen asentaminen	10
4.2. Ylikuumenemissulakkeella varustetun kiuasanturin F1 asentaminen	12
4.3. Laudeanturin F2 (valinnainen) asentaminen	13
<b>5. Sähköliitäntä</b>	<b>14</b>
5.1. Syöttöjohdon ja kiukaan johdon liittäminen	15
5.2. Valon liittäminen	15
5.3. Teholaajennuksen (valinnainen) liittäminen	16
5.4. Kiuasanturin F1 liittäminen	16
5.5. Laudeanturin F2 (valinnainen) liittäminen	16
5.6. Turvakatkaisimen liittäminen	16
5.7. Etäkäynnistys	17
5.8. Asennuksen viimeistely	17
<b>6. Tarkastukset</b>	<b>18</b>
<b>7. Liitäntäkaavio</b>	<b>20</b>

<b>8. Käyttöönotto</b>	<b>21</b>
8.1. Lämmitysajan rajoituksen asettaminen	21
8.2. Vaihesovituksen aktivointi/deaktivointi	22
8.3. Etäkäynnistys julkaisu	22
8.4. Yksianturikäytön aktivointi/deaktivointi	22
8.5. Kiukaan lämpötilan näyttäminen yksianturikäytössä	22
<b>9. Käyttö</b>	<b>23</b>
9.1. Käyttölaitteet	23
9.2. Valon kytkeminen päälle	23
9.3. Saunaohjaimen kytkeminen päälle	24
9.4. Saunan kytkeminen päälle	24
9.5. Ohjelämpötilan muuttaminen	24
9.6. Ajastimen asettaminen	25
9.7. Ajastintoiminnon keskeyttäminen	26
9.8. Valmiustila etäkytkennän aktivoimiseksi	26
9.9. Saunaohjaimen kytkeminen pois päältä	26
<b>10. Puhdistus ja huolto</b>	<b>27</b>
10.1. Puhdistus	27
10.2. Huolto	27
<b>11. Hävittäminen</b>	<b>27</b>
<b>12. Ongelmanratkaisu</b>	<b>28</b>
12.1. Virheilmoitukset	28
12.2. Sulakkeet	29
<b>13. Tekniset tiedot</b>	<b>30</b>

# 1. Sananen näistä ohjeista

Lue nämä asennus- ja käyttöohjeet huolellisesti läpi ja säilytä niitä saunaohjaimen lähellä. Näin voit katsoa turvallisuuttasi sekä käyttöä koskevia tietoja milloin tahansa.



Asennus- ja käyttöohjeet saat myös Internet-sivujemme materiaalinla-  
tausosiosta osoitteesta [www.sentiotec.com/downloads](http://www.sentiotec.com/downloads).

## **Symbolit ja varoitukset**

Näissä asennus- ja käyttöohjeissa annetaan varoitus ennen toimia, jotka muodostavat vaaratekijän. Näitä varoituksia on ehdottomasti noudatettava. Näin vältät esinevahingot ja loukkaantumiset, jotka pahimmassa tapauksessa voivat aiheuttaa jopa kuoleman.

Varoituksissa käytetään huomiosanoja, joiden merkitys on seuraava:



### **VAARA!**

Jos et noudata tätä varoitusta, seurauksena on kuolema tai vakava loukkaantuminen.



### **VAROITUS!**

Jos et noudata tätä varoitusta, seurauksena voi olla kuolema tai vakava loukkaantuminen.



### **VARO!**

Jos et noudata tätä varoitusta, seurauksena voi olla lievä loukkaantuminen.

## **HUOMIO!**

Tällä huomiosanalla varoitetaan esinevahingoista.

## **Muut symbolit**



Tällä symbolilla merkitään vinkit ja hyödylliset ohjeet.

## 2. TÄRKEITÄ OHJEITA turvallisuutesi varmistamiseksi

Saunaohjain Pro B2 on valmistettu tunnustettujen turvateknisten säätöjen mukaisesti. Käytön yhteydessä voi silti ilmetä vaaroja. Noudata siksi seuraavia turvaohjeita ja yksittäisissä luvuissa annettuja erityisiä varoituksia. Noudata myös liitettyjen laitteiden turvaohjeita.

### 2.1. Käyttötarkoitus

Saunaohjain Pro B2 on tarkoitettu ainoastaan toimintojen ohjaukseen ja säätelyyn teknisten tietojen mukaisesti.

Saunaohjainta Pro B2 saa käyttää ainoastaan sellaisen kiukaan ohjaamiseen ja säätelyyn, joka läpäisee standardin EN 60335-2-53 kohdan 19.101 mukaisen peittämiskokeen. Jollei tämä kiuas täytä vaatimuksia, on tehtävä vastaavat turvallisuustoimenpiteet (esim. turvakatkaisu, katso **5.6** sivulla **16**).

Saunaohjainta Pro B2 saa käyttää vain 3 lämmityspiirin ohjaamiseen ja säätelyyn. Lämmitysteho saa olla tällöin enintään 3,5 kW lämmityspiiriä kohti.

Muunlaisen käytön katsotaan poikkeavan tuotteen käyttötarkoituksesta. Tuotteen käyttötarkoituksesta poikkeava käyttö voi johtaa tuotteen vaurioitumiseen, vakaviin vammoihin tai kuolemaan.

## 2.2. Turvaohjeita asentajalle

- Vain sähköalan ammattilainen tai vastaavan pätevyyden omaava henkilö saa suorittaa asennuksen.
- Saunaohjaimen liittyviä töitä saa tehdä vain jännitteettömässä tilassa.
- Asiakkaan on järjestettävä ylijännitekategorian III mukainen kaikinapainen erotuslaite, joka takaa täyden katkaisun.
- Saunaohjain on asennettava saunahuoneen ulkopuolelle n. 1,70 m korkeuteen tai saunahuoneen valmistajan suositusten mukaisesti. Ympäristölämpötilan on oltava  $-10\text{ °C}$ :n ja  $40\text{ °C}$ :n välillä.
- Kiuasanturi tulee kiinnittää siten, että sisään virtaava ilma ei vaikuta siihen.
- Kiukaan syöttökaapelin poikkipinta-alan täytyy olla vähintään  $2,5\text{ mm}^2$ . Kaapelin täytyy myös kestää enimmillään  $150\text{ °C}$ :een lämpötiloja.
- Noudata myös sijoituspaikan paikallisia määräyksiä.
- Käännä oman turvallisuutesi vuoksi toimittajasi puoleen sellaisissa ongelmissa, joita ei käsitellä asennusohjeessa kyllin tarkasti.

### 2.3. Turvaohjeita käyttäjälle

- Alle 8-vuotiaat lapset eivät saa käyttää saunaohjainta.
- Yli 8-vuotiaat lapset, fyysisiltä, sensorisilta tai henkisiltä kyvyiltään rajoittuneet henkilöt sekä kokemattomat ja tietämättömät henkilöt saavat käyttää saunaohjainta seuraavin ehdoin:
  - jos he ovat valvonnan alaisina
  - jos heille on näytetty turvallinen käyttö ja he ymmärtävät vaarat, joita voi syntyä.
- Lapset eivät saa leikkiä saunaohjaimella.
- Alle 14-vuotiaat lapset saavat puhdistaa saunaohjainta vain, kun he ovat valvonnan alaisina.
- Jätä saunominen terveydellisistä syistä väliin, jos olet alkoholin, lääkkeiden tai huumeiden vaikutuksen alaisena.
- Ennen kuin kytket kiukaan päälle, varmista, että kiukaalla ei ole tulenarkoja esineitä.
- Ennen kuin kytket ajastintoiminnon tai etäkäynnistyksen valmiustilan päälle, varmista, että kiukaan päällä ei ole tulenarkoja esineitä.
- Käännä oman turvallisuutesi vuoksi toimittajasi puoleen sellaisissa ongelmissa, joita ei käsitellä käyttöohjeessa kyllin tarkasti.

## 3. Tuotekuvaus

### 3.1. Toimituskokonaisuus

- Saunaohjain
- Kiuasanturi, jossa integroitu ylikuumenemissulake
- Anturinjohdot
- Asennusmateriaali

### 3.2. Valinnaiset lisätarvikkeet

- Laudeanturi (tuotenumero: O-F2)
- Teholaajennus (tuotenumero: O-S2-18 / O-S2-30)
- Turvakatkaisin (tuotenumero: SFE-xxxxx)
- Verkkopalvelin pronet (tuotenumero: PRO-NET)

### 3.3. Tuotteen toiminnot

Saunaohjaimessa Pro B2 on seuraavat toiminnot:

- Lämmitysteholtaan enintään 10,5 kW:n kiukaiden säätely lämpötila-alueella 30 °C–110 °C.
- Teholaajennuksen avulla maksimikytkentäteho voidaan suurentaa 10,5 kW:sta 18 kW:iin tai 30 kW:iin.
- Etäkäynnistystoiminto
- Ajastustoiminto (24 tuntiin asti)
- Automaattinen lämmitysajan rajoitus  
Saunaohjain kytkeytyy maksimilämmitysajan jälkeen turvallisuussyistä automaattisesti pois päältä. Maksimilämmitysajaksi voidaan asettaa 6 tuntia, 12 tuntia, 18 tuntia tai 24 tuntia.
- Ylikuumenemissulake  
Ylikuumenemissulake sijaitsee kiuasanturin anturirungossa. Jos kiuas lämmittää vian takia toivelämpötilan saavuttamisen jälkeen edelleen, ylikuumenemissulake kytkee kiukaan automaattisesti pois päältä, kun n. 139 °C:een lämpötila saavutetaan.



### 3.4. Anturikäyttötavat

Saunaohjainta voidaan käyttää yhden tai kahden lämpötila-anturin avulla.

#### ***Yksianturikäyttö (F1)***

Yksianturikäyttö täytyy aktivoida käyttöönoton yhteydessä (ks. **8.3. Yksianturikäytön aktivointi/deaktivointi** sivulla **22**).

Yksianturikäytössä saunaohjain toimii vain ylikuumenemissulakkeella varustetun kiuasanturin (F1-anturi) avulla. Yksianturikäytössä saunaohjain näyttää vain ohjelämpötilan. Tosilämpötilaa ei näytetä. Jos saunaohjaimen halutaan näyttävän yksianturikäytössä kiukaan yläpuolisen lämpötilan (F1-anturi) tosilämpötilana, tämä täytyy aktivoida käyttöönoton yhteydessä (ks. **8.4. Kiukaan lämpötilan näyttäminen yksianturikäytössä** sivulla **22**).

#### ***Kaksianturikäyttö laudeanturilla (F2)***

Laudeanturin avulla tapahtuvaa kaksianturikäyttöä varten asennetaan toinen lämpötila-anturi (laudeanturi) taaemman lauteen yläpuolelle. Saunaohjain näyttää tosi-lämpötilana laudeanturin mittaaman lämpötilan.

## 4. Asennus

### 4.1. Saunaohjaimen asentaminen

---

**HUOMIO!*****Laitteen vauriot***

Saunaohjain on roiskevesisuojuattu, mutta laite voi kuitenkin vaurioitua joutues-  
saan suoraan kosketukseen veden kanssa.

- Asenna saunaohjain kuivaan paikkaan, jossa ilmankosteus ei ylitä maksimi-  
arvoa 95 %.

---

**HUOMIO!*****Häiriölähteet häirtävät signaalinvälitystä***

- Vedä kaikki anturijohdot erillään muista verkkojohdoista ja ohjainjohdoista.
- Suojaa yksinkertaisesti eristetyt johdot putkella (kaksoiseristys).

Noudata saunaohjaimen asennuksessa seuraavia kohtia:

- Saunaohjain on asennettava saunahuoneen ulkopuolelle tai saunahuoneen  
valmistajan suositusten mukaisesti.
- Ympäristölämpötilan on oltava  $-10\text{ °C}$ :n ja  $+40\text{ °C}$ :n välillä.
- Anturit saa liittää vain oheisilla anturijohdoilla, jotka kestävät lämpöä  $150\text{ °C}$ :een  
asti.

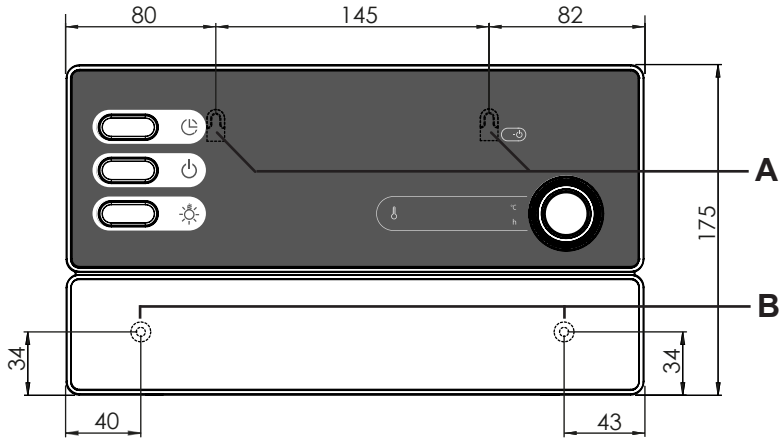


Anturijohtoja saa jatkaa ainoastaan seuraavin ehdoin:

- Käytetään silikonijohtoa, joka kestää  $150\text{ °C}$ :n lämpötilaa.
  - Johdon vähimmäispoikkipinta-ala on  $0,5\text{ mm}^2$ .
  - Kiuasanturijohdojen pituus EI saa olla yli 10 m.
-

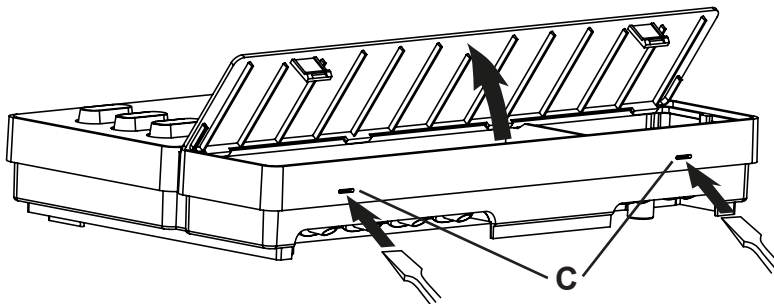
Asenna saunaohjain tekemällä seuraavat työvaiheet:

1. Ruuvaa kaksi ristipääruuvia (16 mm) saunan seinään n. 1,70 m:n korkeudelle siten, että niiden kannat jäävät 7 mm:n etäisyydelle seinäpinnasta. Ruuvien pituus on 145 mm:n etäisyydellä toisistaan (ks. **Kuva 1**).



**Kuva 1** Ripustimen paikka ja asennusreiät (mittayksikkö: mm)

2. Paina sulkusalpoja **C** ruuvitaltalla hieman sisään ja ota kotelo pois (katso **Kuva 2**).
3. Ripusta saunaohjain ripustinten **A** avulla ristipääruuveihin, jotka äsken asensit (ks. **Kuva 1**).
4. Ruuvaa kaksi ristipääruuvia (16 mm) alakiinnitysreikiin **B** (ks. **Kuva 1**).



**Kuva 2** Kotelo kansi irrotus

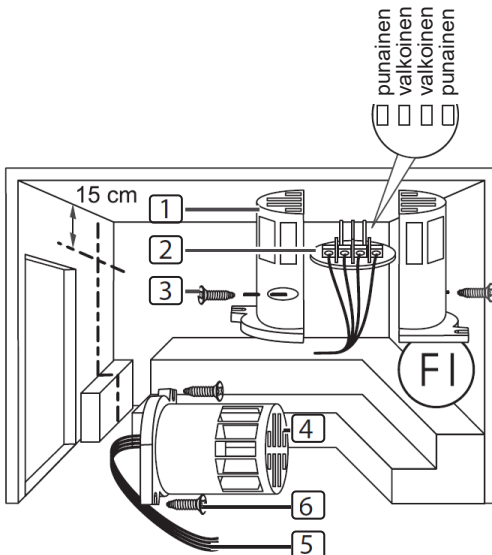
## 4.2. Ylikuumenemissulakkeella varustetun kiuasanturin F1 asentaminen

Noudata kiuasanturin asennuksessa seuraavia kohtia:

- Kiuasanturi on asennettava kiukaan takaseinämään keskikohdan yläpuolelle. Etäisyyttä saunahuoneen kattoon on oltava noin 15 cm.
- Kiuasanturi tulee kiinnittää siten, että sisään virtaava ilma ei vaikuta siihen.

Asenna kiuasanturi tekemällä seuraavat työvaiheet (ks. **Kuva 3**):

1. Vedä molemmat 2-napaiset kiuasanturijohdot saunahuoneen seinään kiuasanturin asennuspaikkaan ja kiinnitä kiuasanturijohdot johdonkirstimillä.
2. Vedä kiuasanturin kotelon puolikkaat **1** irti toisistaan.
3. Liitä kiuasanturijohdon **5** neljä liitintä kiuasanturiin kuten **Kuva 3** esittää.
4. Aseta liitäntälevy **2** poikittain (kuten **Kuva 3** esittää) kiuasanturin kotelon puolikkaisiin.
5. Sulje kotelon puolikkaat, ruuvaa ne yhteen ne kahdella ristipääruuvilla **3** (9 mm) ja tarkista, onko kiuasanturi tiukasti kiinni.
6. Asenna kiuasanturi kiukaan takaseinään kahdella oheisella puuruuvilla **6** (16 mm).



- 1** kiuasanturin kotelon puolikkaat
- 2** Liitäntälevy
- 3** ristipääruuvit (9 mm)
- 4** kiuasanturi
- 5** kiuasanturin johdot
- 6** puuruuvit (16 mm)

**Kuva 3 Kiuasanturin asentaminen**

### 4.3. Laudeanturin F2 (valinnainen) asentaminen

Laudeanturi asennetaan saunahuoneen seinään takalauteen yläpuolelle. Etäisyyttä saunahuoneen kattoon on oltava noin 15 cm.

Asenna laudeanturi tekemällä seuraavat työvaiheet:

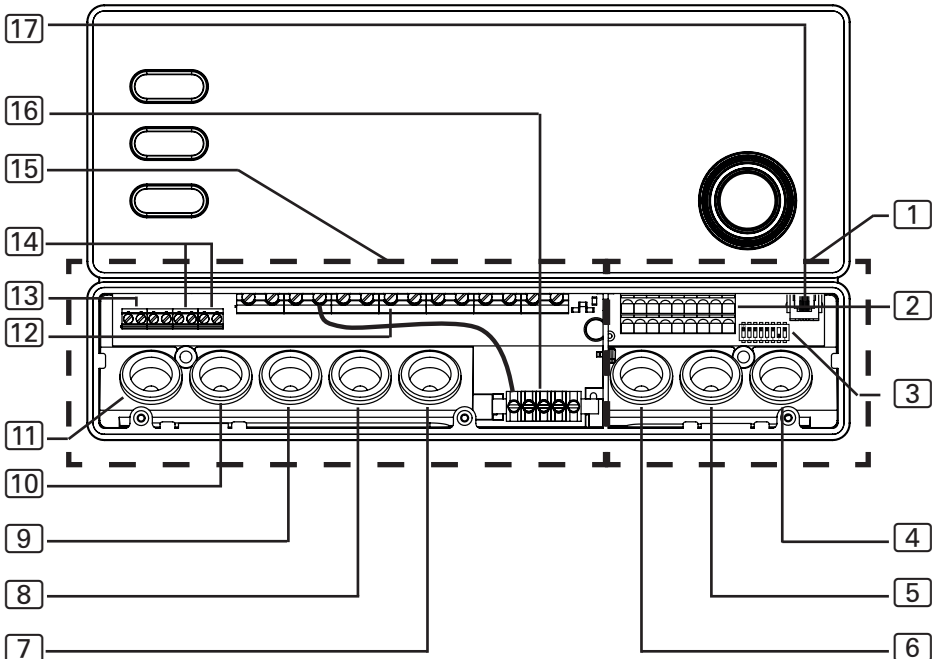
1. Vedä 2-napainen laudeanturijohto saunahuoneen seinään laudeanturin asennuspaikkaan ja kiinnitä laudeanturijohto johdonkirstimillä.
2. Vedä laudeanturin kotelon puolikkaat irti toisistaan.
3. Liitä laudeanturin kaksi liitintä liitäntälevyn kahteen keskimmaiseen liittimeen.
4. Aseta liitäntälevy poikittain laudeanturin kotelon puolikkaisiin.
5. Sulje kotelon puolikkaat ja ruuvaa ne yhteen ne kahdella ristipääruuvilla (9 mm).
6. Tarkista, onko laudeanturi tiukasti kiinni.
7. Asenna laudeanturi saunahuoneen seinään kahdella oheisella puuruuvilla (16 mm). Etäisyyttä saunahuoneen kattoon on oltava 15 cm.

## 5. Sähköliitännät

### HUOMIO!

#### Laitteen vauriot

- Saunaohjainta saa käyttää vain 3 lämmityspiirin ohjaamiseen ja säätelyyn; kunkin lämmityspiirin lämmitysteho saa olla enintään 3,5 kW.



- |   |  |    |  |
|---|--|----|--|
| 1 | pienjännitteen liitännäalue                                      | 9  | syöttöjohdon johtoläpivienti           |
| 2 | turvakatkaisimen, etäkäynnistyksen ja anturinjohtojen riviliitin | 10 | teholaaennuksen johtoläpivienti        |
| 3 | toimintojen valintakytkin  | 11 | valon johtoläpivienti                  |
| 4 | F2-anturin johtoläpivienti                                       | 12 | kiukaan ja syöttöjohdon riviliitin     |
| 5 | F1-anturin johtoläpivienti                                       | 13 | valon riviliitin                       |
| 6 | turvakatkaisimen ja etäkäynnistyksen johtoläpivienti             | 14 | teholaaennuksen riviliitin             |
| 7 | johtoläpivienti (jätetään vapaaksi)                              | 15 | 230 V / 400 V -liitännäalue            |
| 8 | kiukaan johdon johtoläpivienti                                   | 16 | maadoituskisko                         |
|   |  | 17 | RS-485:n ja pronetin RJ45-naarasliitin |

Noudata saunaohjaimen sähköliitännöiden osalta seuraavia kohtia:

- Vain sähköalan ammattilainen tai vastaavan pätevyyden omaava henkilö saa suorittaa asennuksen.



Huomaa, että takuuvaatimusten esittämiseksi tarvitaan kopio liitännän tehneen sähköliikkeen laskusta.

- Saunaohjaimen liittyviä töitä saa tehdä vain jännitteettömässä tilassa.
- Sähkönsyöttö on toteutettava kiinteällä liitännällä.
- Asiakkaan on järjestettävä ylijännitekategorian III mukainen kaikkinaipainen erotuslaite, joka takaa täyden katkaisun.
- Noudata kytkentäkaaviota (**Kuva 4**) sivulla **20**.

## 5.1. Syöttöjohdon ja kiukaan johdon liittäminen

1. Vedä syöttöjohto ja kiukaan johto johtoläpivientien **9** ja **8** kautta 230 V / 400 V -liitäntäalueelle **15**.
2. Liitä liitäntäjohdot kytkentäkaavion mukaisesti riviliittimeen **12**. Noudata tällöin kunkin laitteen käyttöohjeita.

## 5.2. Valon liittäminen

1. Vedä valojohto johtoläpiviennin **11** kautta 230 V / 400 V -liitäntäalueelle **15**.
2. Liitä valojohto kytkentäkaavion mukaisesti riviliittimeen **13**. Noudata tällöin kulloisenkin laitteen käyttöohjeita.

### 5.3. Teholaajennuksen (valinnainen) liittäminen

1. Vedä teholaaajennuksen johto johtoläpiviennin **10** kautta 230 V / 400 V -liitäntäalueelle **15**.
2. Liitä teholaaajennuksen johto kytkentäkaavion mukaisesti riviliittimeen **14**. Käytä tällöin liitintä "ST1" turvapiirille ja liitintä "ST2" ohjauspiirille. Noudata kulloisenkin laitteen käyttöohjeita.

### 5.4. Kiuasanturin F1 liittäminen

1. Vedä kiuasanturijohdot johtoläpiviennin **5** kautta pienjännitteen liitäntäalueelle **1**.
2. Liitä kiuasanturin punaiset johdot riviliittimen **2** liittimiin, joissa on merkintä "STB".
3. Liitä kiuasanturin valkoiset johdot riviliittimen **2** liittimiin, joissa on merkintä "F1".

### 5.5. Laudeanturin F2 (valinnainen) liittäminen

1. Vedä laudeanturijohdot johtoläpiviennin **4** kautta pienjännitteen liitäntäalueelle **1**.
2. Liitä laudeanturin johdot riviliittimen **2** liittimiin, joissa on merkintä "F2".

### 5.6. Turvakatkaisimen liittäminen

Standardin EN 60335-2-53 mukaan etäohjauksella varustettuja saunaohjaimia saa käyttää ainoastaan sellaisen kiukaan ohjaamiseen ja säätelyyn, joka läpäisee kohdan 19.101 mukaisen peittämiskokeen. Vaihtoehtoisesti kiukaaseen tai sen yläpuolelle voidaan asentaa vastaava turvakatkaisin. Se kytkee kiukaan pois päältä, jos kiukaan päälle lasketaan esineitä kuten pyyhe.



Asenna turvakatkaisin tekemällä seuraavat työvaiheet:

1. Asenna turvakatkaisin laitteen käyttöohjeessa kuvatulla tavalla.
2. Vedä turvakatkaisimen johdot johtoläpiviennin **6** kautta pienjännitteen liitântäalueelle **1**.
3. Liitä turvakatkaisimen johdot riviliittimen **2** liittimiin, joissa on merkintä **"OSG"**.



Jos turvakatkaisinta ei asenneta, tekstillä **"OSG"** merkittyihin liittimiin täytyy muodostaa metallilankasilloitus.

## 5.7. Etäkäynnistys

Liitântä tehdään käyttäen liittimiä **"S"** ja **"B"**. **"S"** tarkoittaa saunakäyttöä. **"B"** on +24 V DC -lähtö. Jälkimmäinen täytyy kytkeä kytkimen tai toimilaitteen avulla liittimeen **"S"**.

## 5.8. Asennuksen viimeistely

1. Liitä syöttöjohdon ja kaikkien laitteiden maadoitusjohtimet maadoituskiskoon **16**.
2. Aseta kotelon kansi liitântärasian yläreunalle.
3. Paina sulkusalpoja hieman sisään ja käännä kotelon kantta alaspäin kunnes kuulet sen lokahtavan kiinni.

## 6. Tarkastukset

Seuraavat tarkastukset täytyy teettää hyväksytyllä sähköasentajalla.



### **VAROITUS!**

***Seuraavat tarkastukset suoritetaan, kun virransyöttö on päällä. Sähköiskuvaara.***

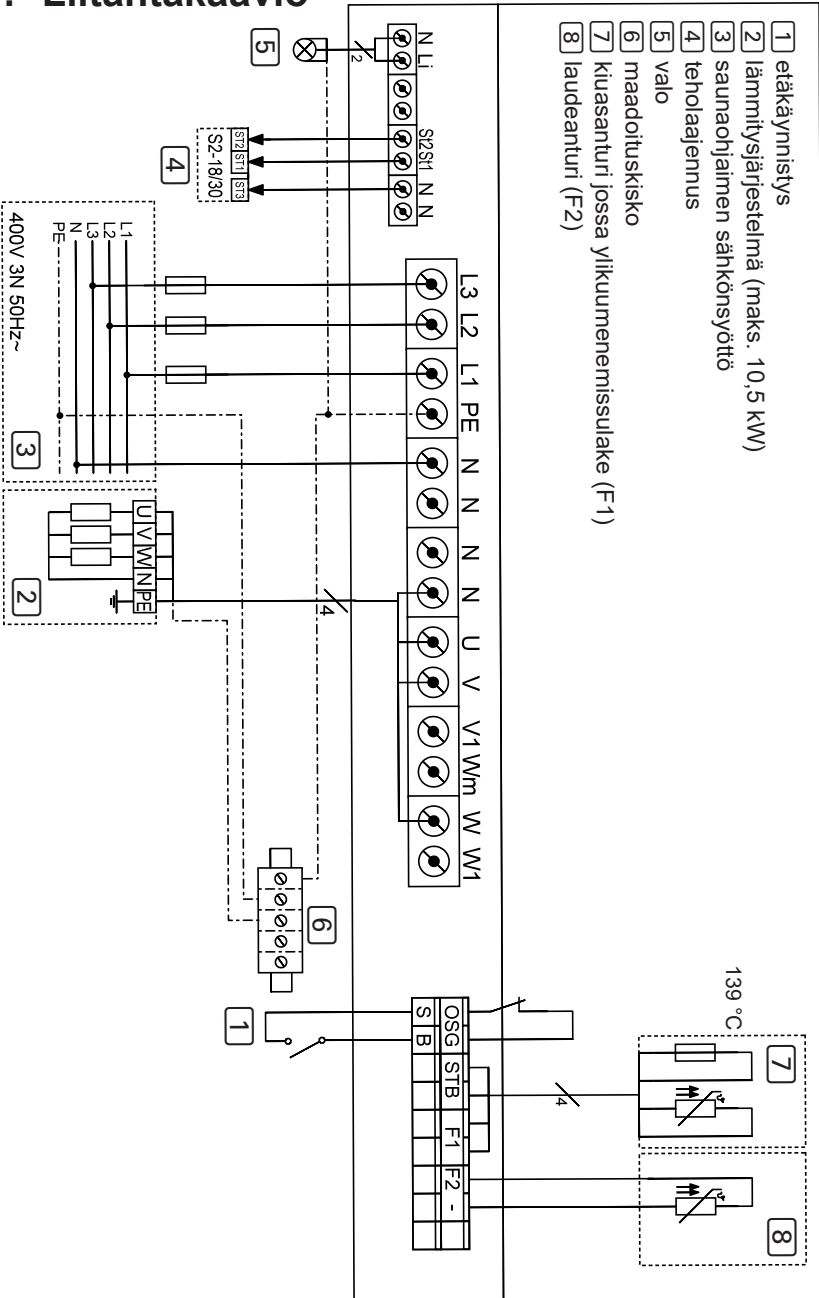
- **ÄLÄ KOSKAAN** kosketa sähköä johtavia osia.
- 

1. Tarkasta maadoitusjohtojen kosketus maadoitusjohdinliittimeen.
2. Tarkasta kiuasanturin F1 ylikuumenemissulake.
  - a. Kytke saunaohjain päälle.
  - b. Avaa kiuasohjain ja irrota toinen punaisista kiuasanturin johdoista.
    - ▶ Ylänäytössä näkyy "Err", alanäytössä "02", ja ohjain kytkee kiukaan pois päältä.
  - c. Kytke saunaohjain pois päältä.
  - d. Liitä punainen kiuasanturin johto takaisin paikalleen.
  - e. Irrota nyt toinen valkoisista kiuasanturin johdoista.
  - f. Kytke saunaohjain päälle.
    - ▶ Ylänäytössä näkyy "Err", alanäytössä "04F1", ja ohjain kytkee kiukaan pois päältä.
  - g. Kytke saunaohjain pois päältä.
  - h. Liitä valkoinen kiuasanturin johto takaisin paikalleen.
3. Tarkasta vaihekytkentä saunakäyttöön L1, L2, L3 – U, V, W.
4. Tarkasta saunaohjaimen suurin sallittu lämmitysteho 3,5 kW per vaihe.

5. Jos käytössä on valinnainen teholaajennus
  - a. Tarkasta ohjaimen johdot ST1, ST2 ja ST3.
  - b. Tarkasta teholaajennuksen S2-18 suurin sallittu lämmitysteho 3 kW per vaihe.
  - c. Tarkasta teholaajennuksen S2-30 suurin sallittu lämmitysteho 7 kW per vaihe.

## 7. Liitântäkaavio

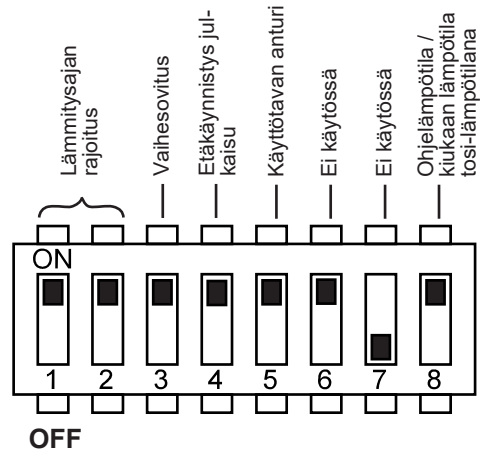
Kuva 4 Liitântäkaavio



## 8. Käyttöönotto

Pienjännitteen liitäntäalueen toimintojen valintakytkimellä voidaan aktivoida erilaisia tuotetoimintoja. Oikealla olevassa kuvassa näkyvät toimintojen valintakytkimen vakioasetus.

Huomaa, että muutosten tekemisen jälkeen ohjain täytyy kytkeä pois päältä 10 sekunnin ajaksi, jotta asetukset tallentuvat.



Kuva 5 Toimintojen valintakytkin – vakioasetus

### 8.1. Lämmitysajan rajoituksen asettaminen

Maksimilämmitysajan vakioasetus on 6 tuntia. Saunaohjain kytkeytyy maksimilämmitysajan jälkeen turvallisuussyistä automaattisesti pois päältä.

Pienjännitteen liitäntäalueen toimintojen valintakytkimellä maksimilämmitysajaksi voidaan asettaa 12 tuntia, 18 tuntia tai 24 tuntia. Tähän tarvittavat toimintojen valintakytkimen asennot on merkitty oikealla olevaan taulukkoon.

<i>Toimintojen valintakytkin</i>	1	2
6 h	ON	ON
12 h	OFF	ON
18 h	ON	OFF
24 h	OFF	OFF



Standardin EN 60335-2-53 mukaan yksityissaunojen lämmitysajan saa rajoittaa enintään 6 tuntiin. Hotelleissa, kerrostaloissa ja vastaavissa paikoissa lämmitysajan saa rajoittaa enintään 12 tuntiin. Lämmitysajan rajoitusta saa laajentaa 18 tuntiin tai 24 tuntiin vain julkisissa saunoissa.

## 8.2. Vaihesovituksen aktivointi/deaktivointi

Vaihesovitus aktivoidaan ja deaktivoidaan toimintojen valintakytkimellä **3**.

- Toimintojen valintakytkimen **3** vakioasetuksena on ON-asento. Näin ollen vaihesovitus on aktivoituna.
- Jos haluat deaktivoida vaihesovituksen, aseta toimintojen valintakytkin **3** OFF-asentoon.

## 8.3. Etäkäynnistys julkaisu

Etäkäynnistyslähdön toimintatapa voidaan valita toimintojen valintakytkimellä **4**. (merkintä EN60335-2-53).

- Toimintojen valintakytkimen **4** vakioasetuksena on ON-asento. Etäkäynnistykseen käytetään ”Valmiustilaa etäohjaukseen“.
- Jos haluat vapauttaa etäkäynnistyslähdön eril. laitteille (kuten esim. kolkkoohjain, etäkäynnistysjärjestelmä, ovivalvontalaite), aseta toimintojen valintakytkin **4** OFF-asentoon.

## 8.4. Yksianturikäytön aktivointi/deaktivointi

Yksianturikäytössä saunaohjain toimii vain ylikuumenemissulakkeella varustetun kiuasanturin (F1-anturi) avulla. Yksianturikäyttö täytyy aktivoida toimintojen valintakytkimellä **5**.

- Toimintojen valintakytkimen **5** vakioasetuksena on ON-asento. Näin ollen aktivoituna on kaksianturikäyttö.
- Jos haluat aktivoida yksianturikäytön, aseta toimintojen valintakytkin **5** OFF-asentoon.

## 8.5. Kiukaan lämpötilan näyttäminen yksianturikäytössä

Yksianturikäytössä saunaohjaimen vakioasetuksena on vain ohjelämpötilan näyttäminen. Tosilämpötilaa ei näytetä. Jos saunaohjaimen halutaan näyttävän yksianturikäytössä kiukaan yläpuolisen lämpötilan (F1-anturi) tosilämpötilana, tämä täytyy aktivoida toimintojen valintakytkimellä **8**.

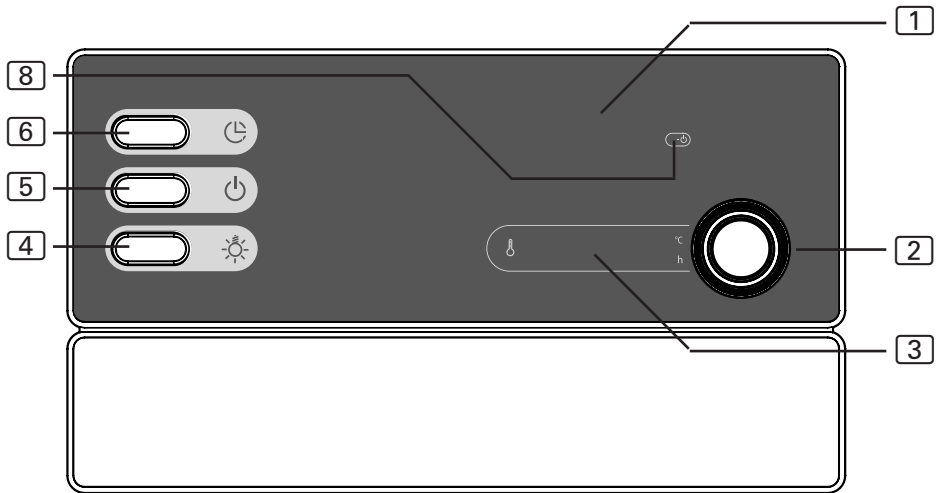
- Toimintojen valintakytkimen **8** vakioasetuksena on ON-asento. Näin ollen vain ohjelämpötila näytetään.
- Jos kiukaan yläpuolella vallitseva lämpötila halutaan näyttää tosilämpötilana, kytkä toimintojen valintakytkin **8** OFF-asentoon.



Huomaa, että lämpötila kiukaan yläpuolella on aina lauteiden alueen lämpötilaa korkeampi. Kun kiukaan yläpuolista lämpötilaa käytetään tosilämpötilana, saunaohjaimen näyttämä lämpötila on saunahuoneen lämpömittarin näyttämää lämpötilaa korkeampi.

## 9. Käyttö

### 9.1. Käyttölaitteet



- 1 lisänäyttö
- 2 lämpötilanvalitsin
- 3 lämpötilänäyttö

- 4 valokytkin
- 5 PÄÄLLE/POIS-kytkin
- 6 ajastinpainike
- 8 etäkäynnistysnäyttö

### 9.2. Valon kytkeminen päälle

Saunahuoneen valo voidaan sytyttää ja sammuttaa riippumatta PÄÄLLE/POIS-kytkimestä [5].

- Sytytä tai sammuta valo painamalla valokytkintä [4].

### 9.3. Saunaohjaimen kytkeminen päälle



#### **VAROITUS!**

#### **Palovaara**

Kuumalla kiukaalla olevat tulenarat esineet voivat syttyä ja aiheuttaa tulipalon.

- ÄLÄ KOSKAAN laske tulenarkoja esineitä kiukaalle.
- Ennen kuin kytket saunaohjaimen päälle, varmista, että kiukaalla EI ole tulenarkoja esineitä.

- Kytke saunaohjain päälle painamalla PÄÄLLE/POIS-kytkintä [5].
  - ▶ Lämpötilanäyttöön [3] ilmestyy muutamaksi sekunniksi "0". Sen jälkeen näytetään saunahuoneen senhetkinen lämpötila. Yksianturikäytössä näytetään viimeksi asetettu ohjelämpötila.

### 9.4. Saunan kytkeminen päälle

1. Valitse haluamasi lämpötila lämpötilanvalitsimella [2].
  - ▶ Lämpötilanvalitsin [2] vilkkuu, ja asetettu ohjelämpötila näkyy lämpötilanäytössä [3].
2. Paina lämpötilanvalitsinta [2].
  - ▶ Kiuas kytketty päälle ja alkaa lämmittää.
  - ▶ Lämpötilanäytössä [3] näkyy saunahuoneen senhetkinen lämpötila. Yksianturikäytössä näytetään ohjelämpötila.

### 9.5. Ohjelämpötilan muuttaminen

Voit muuttaa asetettua ohjelämpötilaa milloin tahansa käytön aikana.

- Säädä lämpötilaa korkeammaksi kiertämällä lämpötilan valitsinta [2] oikealle. Säädä lämpötilaa alhaisemmaksi kiertämällä lämpötilan valitsinta [2] vasemmalle.
  - ▶ Lämpötilanvalitsin [2] vilkkuu, ja asetettu ohjelämpötila näkyy lämpötilanäytössä [3].
  - ▶ Tämän jälkeen lämpötilanäytössä [3] näkyy taas saunahuoneen senhetkinen lämpötila. Yksianturikäytössä näytetään ohjelämpötila.



## 9.6. Ajastimen asettaminen



### **VAROITUS!**

#### **Palovaara**

Kuumalla kiukaalla olevat tulenarat esineet syttyvät ja aiheuttavat tulipalon.

- ÄLÄ KOSKAAN laske tulenarkoja esineitä kiukaalle.
- Ennen kuin kytket ajastintoiminnon päälle, varmista, että kiukaalla EI ole tulenarkoja esineitä.

Voit säätää ajastinta 15 minuuttia kerrallaan. Ajastimen maksimiaika on 24 tuntia. Ajastimen aika näytetään tunteina ja minuutteina, esimerkiksi 8 tuntia ja 15 minuuttia näytetään muodossa 8.15.

1. Kytke kiuas päälle (ks. kohta **9.4. Saunan kytkeminen päälle** sivulla **24**).
2. Paina ajastimen painiketta **6**.
  - ▶ Lämpötilan valitsin **2** vilkkuu, ja lämpötilanäytössä **3** näkyy ajastimeen viimeksi asetettu aika.
3. Pidennä ajastimeen asetettavaa aikaa 15 minuuttia kerrallaan ajastimen painiketta **6** painamalla.
4. Kun olet saavuttanut haluamasi ajan, odota muutama sekunti.
  - ▶ Saunaohjain siirtyy valmiustilaan ja ajastin on käynnissä.
  - ▶ Lämpötilanäytössä **3** näkyy ajastimen jäljellä oleva aika. Lämpötilan valitsin **2** vilkkuu.
  - ▶ Kun ajastimeen asetettu aika on kulunut umpeen, kiuas kytkeytyy päälle.

## 9.7. Ajastintoiminnon keskeyttäminen

- Keskeytä ajastintoiminto painamalla ajastimen painiketta [6] sekunnin ajan.
  - ▶ Ajastimeen asetettu aika lakkaa kulumasta.
  - ▶ Lämpötilanäytössä [3] näkyy saunahuoneen senhetkinen lämpötila. Yksianturikäytössä näytetään ohjelämpötila.



Ajastimeen viimeksi asetettu aika tallentuu, joten viimeksi asetettu arvo voidaan ottaa käyttöön yhdellä painalluksella. Nollaa ajastimen aika arvoon 00:00 painamalla ajastimen painiketta yhden sekunnin ajan

## 9.8. Valmiustila etäkytkennän aktivoimiseksi

Standardin EN 60335-2-53 mukaan etäkäynnistystoiminnolla varustetut saunaohjaimet täytyy kytkeä manuaalisesti käyttötilaan ”Valmiustila etäkytkennän aktivoimiseksi”. Tämä aktivointi täytyy tehdä uudelleen joka kerta, kun kiuas on etäkytketty päälle tai pois. Tee sitä varten seuraavat vaiheet:

1. Paina lämpötilanvalitsinta [2] yhden sekunnin ajan.
  - ▶ Etäkytkentänäyttö [8] alkaa vilkkua.
  - ▶ Saunaohjain on nyt valmiina kytketymään päälle tai pois etäkytkentäsignaalin avulla.
  - ▶ Kun kiuas on etäkytketty päälle tai pois, etäkytkentänäyttö sammuu, ja käyttötilan aktivointi on tehtävä uudelleen.

## 9.9. Saunaohjaimen kytkeminen pois päältä

1. Paina lämpötilanvalitsinta [2].
  - ▶ Liesi on kytketty pois päältä.
2. Kytke saunaohjain pois päältä painamalla PÄÄLLE/POIS-kytkintä [5].
  - ▶ Lämpötilanäyttö [3] sammuu.
  - ▶ Saunaohjain on kytketty pois päältä.

## 10. Puhdistus ja huolto

### 10.1. Puhdistus

#### **HUOMIO!**

##### ***Laitteen vauriot***

Saunaohjain on roiskevesisuojaattu, mutta laite voi kuitenkin vaurioitua joutuessaan suoraan kosketukseen veden kanssa.

- ÄLÄ KOSKAAN upota laitetta veteen.
- Älä kaada laitteen päälle vettä.
- Älä puhdista laitetta liian kostealla liinalla.

1. Kasta puhdistusliina mietoon saippuoliuokseen.
2. Väännä puhdistusliina kuivaksi.
3. Pyyhi saunaohjaimen kotelo varovasti puhtaaksi.

### 10.2. Huolto

Saunaohjainta ei tarvitse huoltaa.

## 11. Hävittäminen



- Hävitä pakkausmateriaali voimassaolevien määräysten mukaisesti.
- Laiteromussa on kierrätettäviä materiaaleja, mutta myös haitallisia aineita. Älä siis missään tapauksessa hävitä laiteromua sekajätteen mukana, vaan hävitä laite paikallisten voimassa olevien määräysten mukaisesti.

## 12. Ongelmanratkaisu

### 12.1. Virheilmoitukset

Saunaohjaimessa on diagnoosiohjelmisto, joka tarkistaa järjestelmän tiloja päällekytkennän ja käytön aikana. Saunaohjain kytkee kiukaan pois päältä heti, kun diagnoosiohjelmisto havaitsee virheen.

Virheet ilmaistaan toistuvalla varoitussäänellä ja lämpötilanvalitsimen [3] vilkkumisella. Lisäksi lisänäytössä [1] näkyy teksti "Err". Lämpötilänäytössä [3] näkyy virheen numero.

Kytke saunaohjain pois päältä PÄÄLLE/POIS-kytkimellä [5] ja korjaa virhe, ennen kuin kytket saunaohjaimen uudelleen päälle.

Seuraavassa taulukossa on kuvattu mahdolliset virheet ja niiden aiheuttajat. Ilmoita virheen numero tarvittaessa asiakaspalveluun.

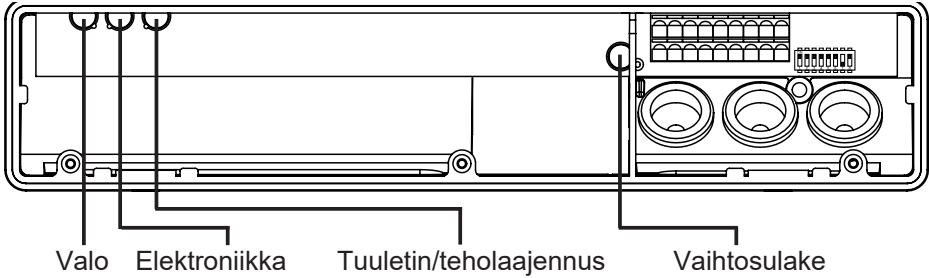
Virhe	Kuvaus	Syy / ratkaisu
01	Turvakatkaisin	Kiukaan päällä on esine. Poista esine, ennen kuin otat saunaohjaimen uudelleen käyttöön.  Jos turvakatkaisua ei ole asennettu, noudata kohtaa "5.6. Turvakatkaisimen liittäminen" sivulla 16.
02	Lämpötilan turvarajoitin	Kiukaan yläpuolen enimmäislämpötila 139 °C on ylittynyt.
04F1	Kiuasanturin virhe	Viallinen kiuasanturi, huono kosketus tai oikosulku
06F2	Laudeanturin virhe	Viallinen laudeanturi, huono kosketus tai oikosulku

## 12.2. Sulakkeet

Saunaohjaimen liitäntäalueella on sulakkeet valoa, tuuletinta/teholaajennusta ja elektroniikkaa varten sekä vaihtosulakkeet.

Ne ovat hitaita 1A-mikrosulakkeita.

Niitä voi tilata tuotenumeroilla PRO-FUSE.



Kun vaihdat sulakkeen, vedä sulake irti suorassa asennossa ja aseta uusi sulake paikoilleen.

## 13. Tekniset tiedot

### **Ympäristövaatimukset**

Varastointilämpötila:	-25 °C ... +70 °C
Ympäristön lämpötila:	-10 °C ... +40 °C
Ilmankosteus:	maks. 95 %

### **Saunaohjain**

Mitat:	307 x 175 x 57 mm
KytKentäjännite / kolmivaiheinen 3N:	400 V AC
Taajuus:	50 Hz
KytKentäteho / lämmityslaite:	3 x 3,5 kW
KytKentävirta per vaihe / lämmityslaite:	16 A
Nimellisjännite:	230 V
Kotelointiluokka (roiskevesisuojaus):	IPX4
Liitetään syöttöverkkoon kiinteällä johdotuksella (kiinteä asennus)	

### **Valo**

KytKentäteho:	100 W
Sulake:	1 A T

### **Säätöalueet**

Lämpötila:	30 °C ... 110 °C
------------	------------------

### **Terminen turvallisuus**

Kiuasanturi, jossa ylikuumenemissulake (139 °C sammutuslämpötila)  
Lämmitysajan automaattinen rajoitus säädettävissä (6 h, 12 h, 18 h, 24 h)\*  
Valinnaisena yksianturi- tai kaksianturikäyttö

### **Liitäntäjohdot**

Syöttöjohto:	min. 5 x 2,5 mm <sup>2</sup>
Kiukaan syöttöjohto (kuumuudenkestävyys 150 °C:een asti):	min. 2,5 mm <sup>2</sup>
Anturijohdot (kuumuudenkestävyys 150 °C:een asti):	min. 0,5 mm <sup>2</sup>
Valojohto:	min. 1,5 mm <sup>2</sup>

\* Standardin EN 60335-2-53 mukaan yksityissaunojen lämmitysajan saa rajoittaa 6 tuntiin. Hotelleissa, kerrostaloissa ja vastaavissa paikoissa lämmitysajan saa rajoittaa 12 tuntiin. Lämmitysajan rajoitusta saa laajentaa 18 tuntiin tai 24 tuntiin vain julkisissa saunoissa.



**sentiotec**   
DIVISION OF HARVIA GROUP

CENTRAL EUROPE  
sentiotec GmbH | Division of Harvia Group |  
Wartenburger Straße 31,  
A-4840 Vöcklabruck  
T +43 (0) 7672/22 900-50 | F -80 |  
info@sentiotec.com | www.sentiotec.com

GLOBAL  
HARVIA  
P.O. Box 12, Teollisuustie 1-7,  
40951 Muurame, FINLAND  
T +358 207 464 000  
harvia@harvia.fi | www.harvia.fi

RUSSIA  
**Адрес уполномоченного лица:**  
ООО «Харвия Рус»  
196006, Россия. Санкт-Петербург г,  
пр-кт Лиговский, д. 266, стр. 1, помещ.  
2.1-Н.50 | ОГРН 1157847200818  
T +78123258294 | spb@accountor.ru

